

RF411305

RF461305

RF471305

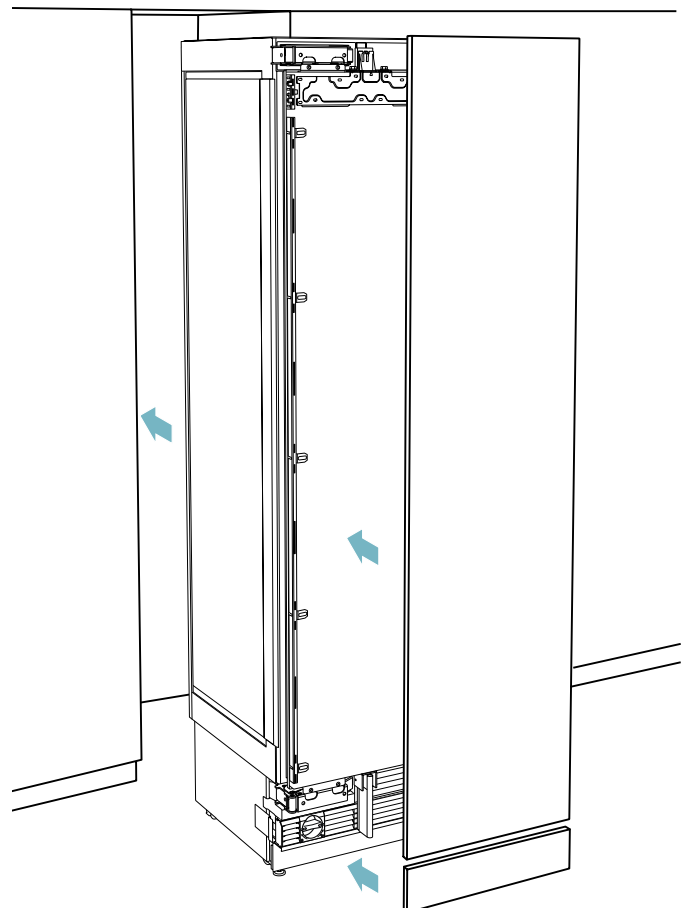
RF411304

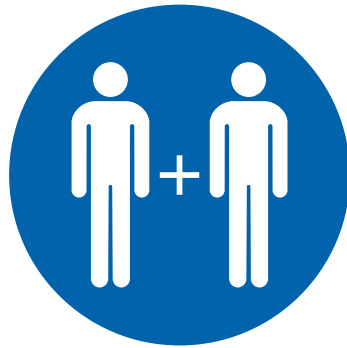
RF461304

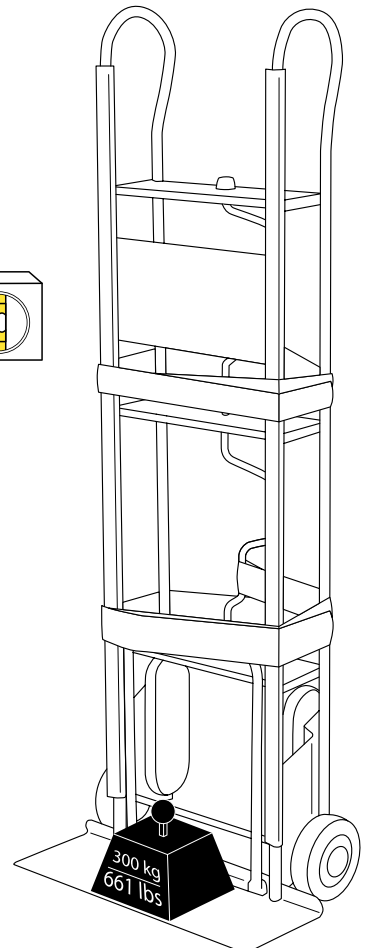
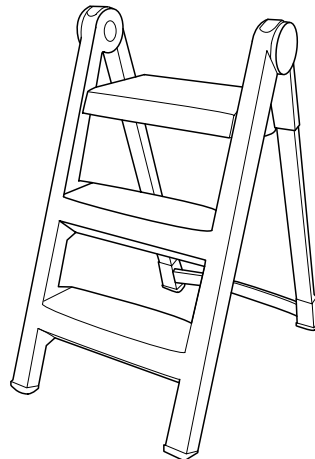
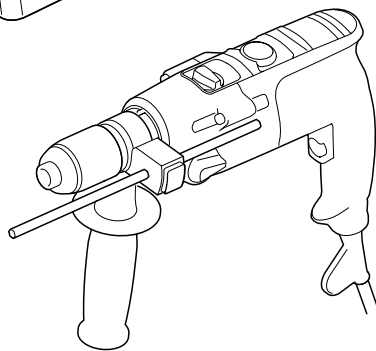
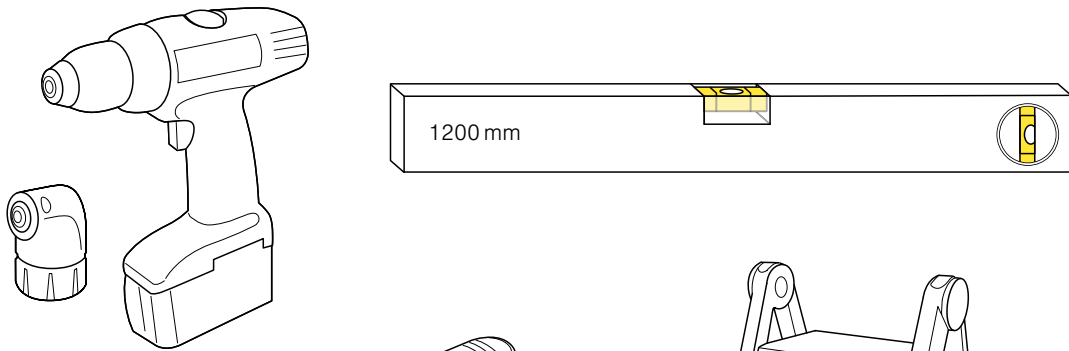
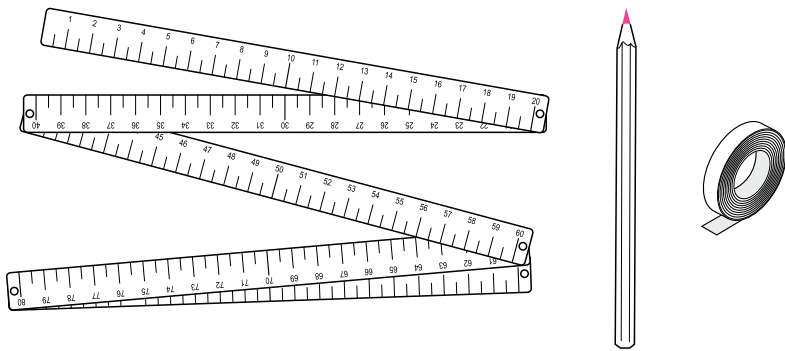
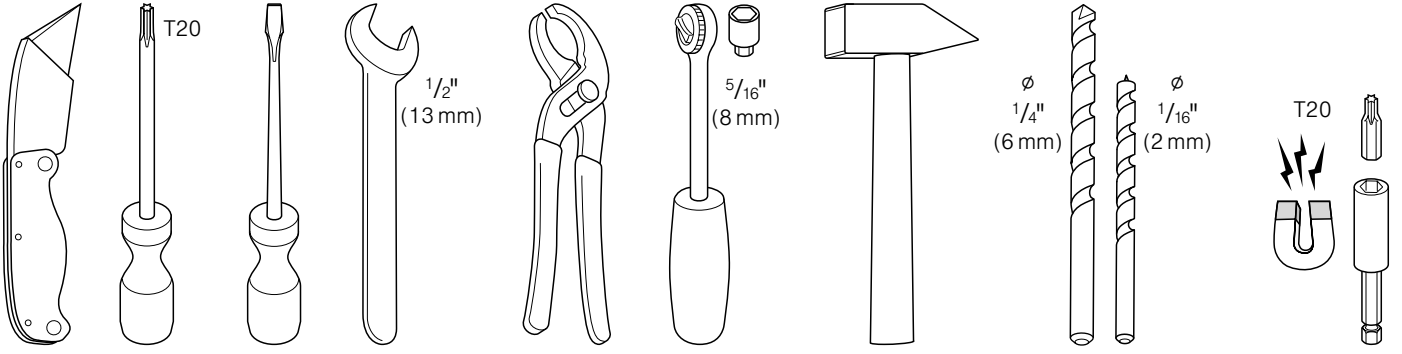
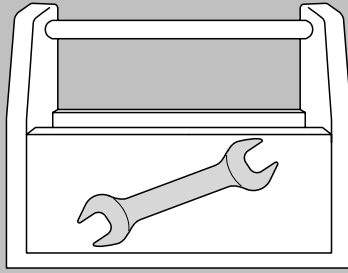
RF471304

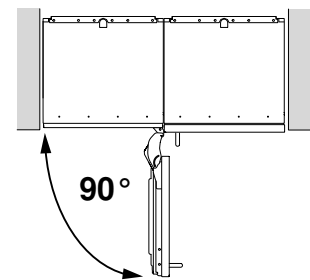
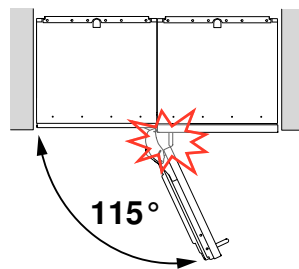
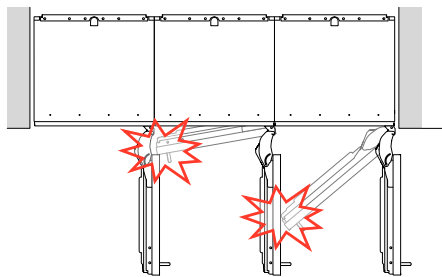
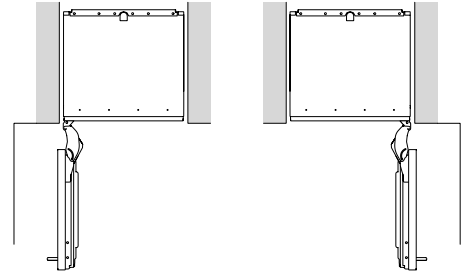
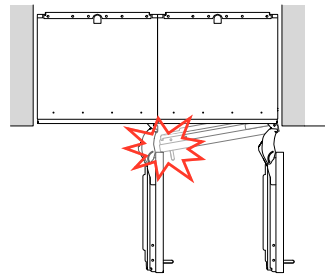
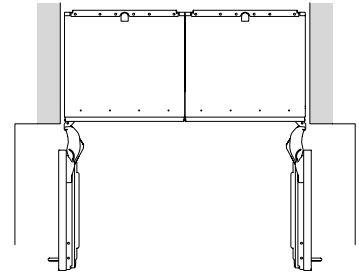
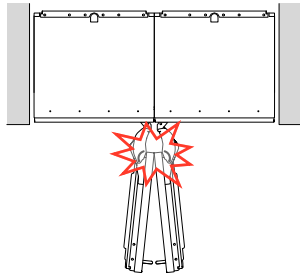
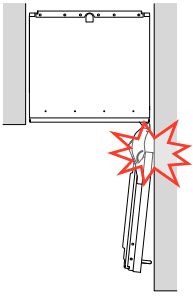
RF411904

RF461904



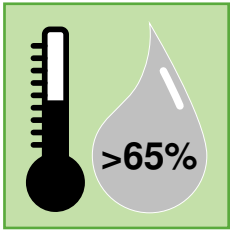




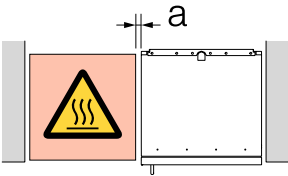
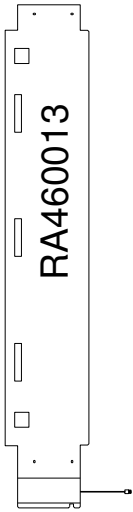
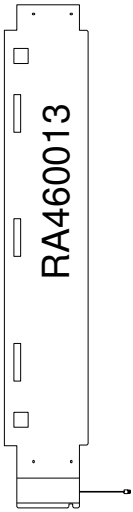




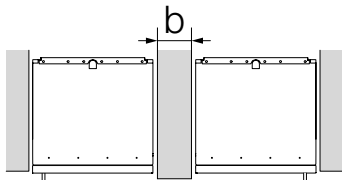
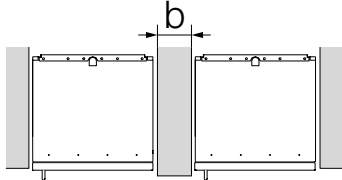
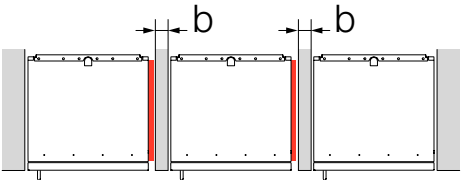
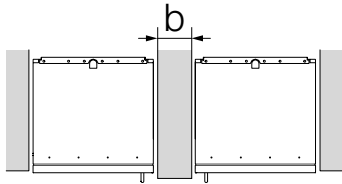
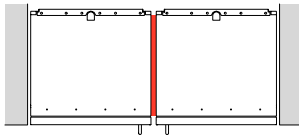
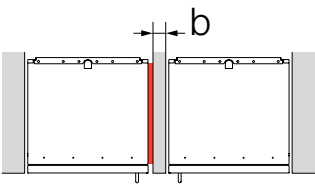
$\frac{5}{8}'' \leq b < 6\frac{1}{4}''$
(16 mm \leq b < 160 mm)

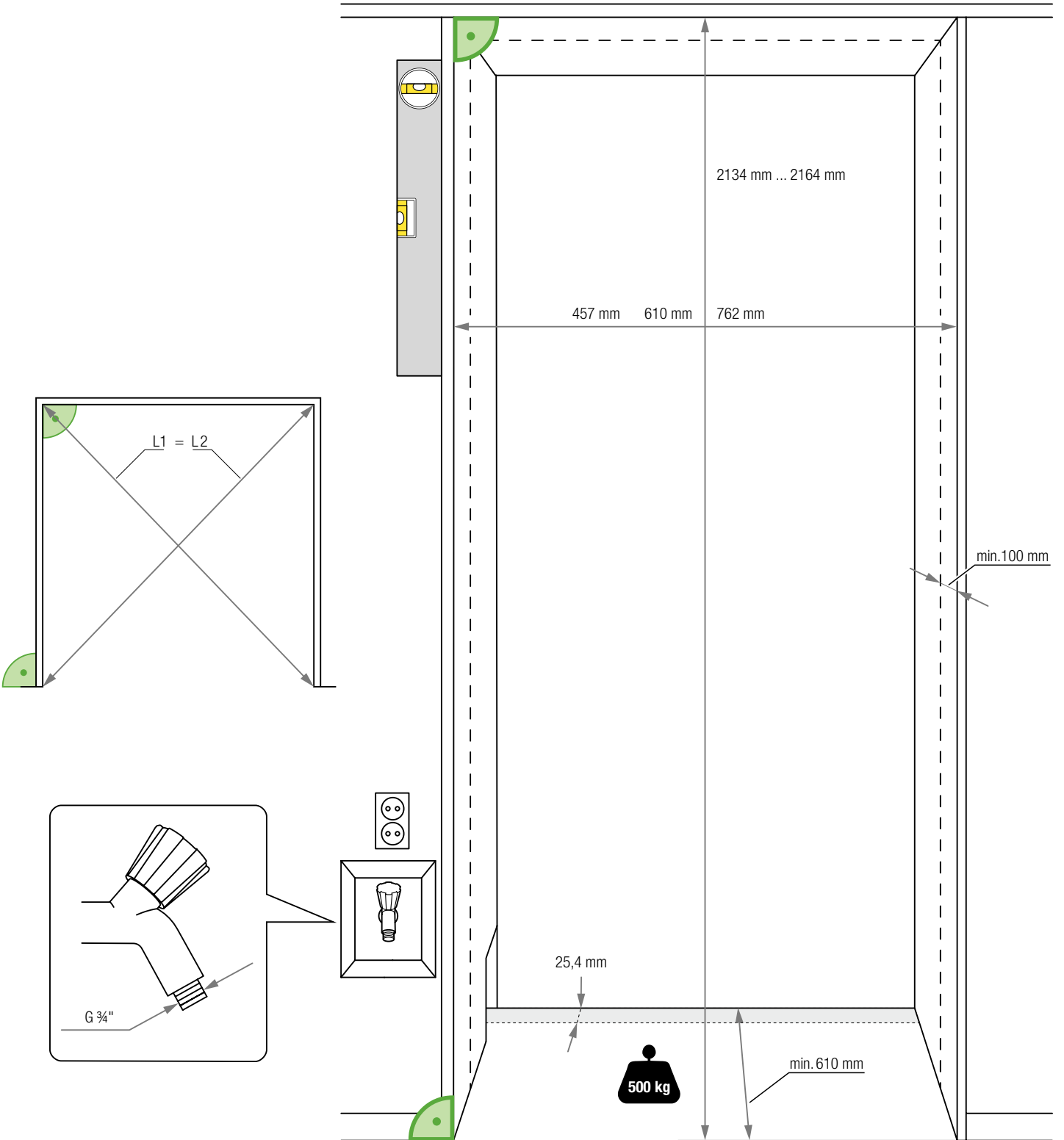
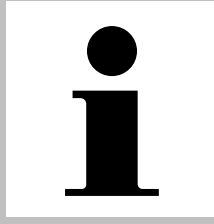


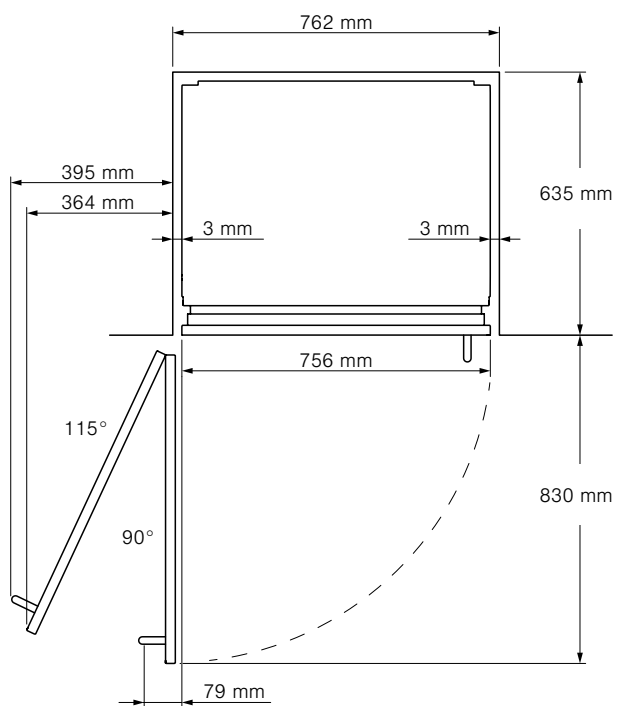
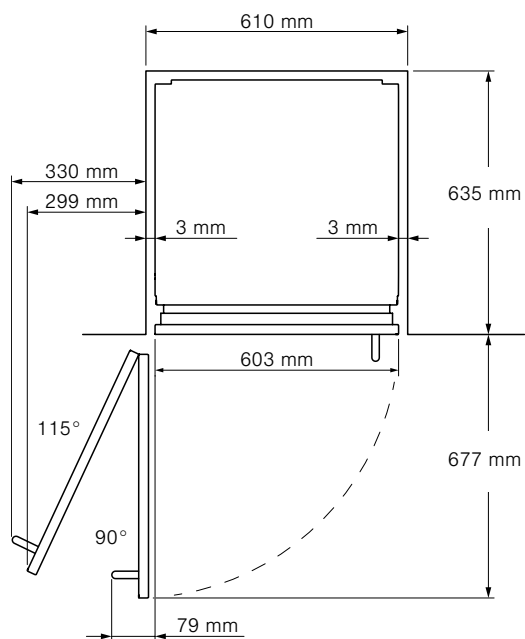
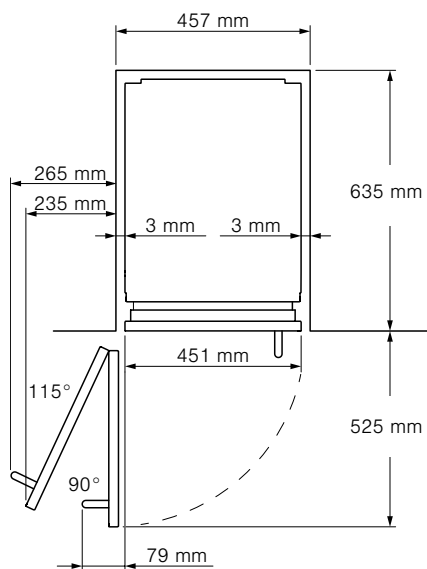
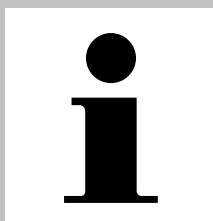
$a \geq 1\frac{3}{16}''$
(a \geq 30 mm)

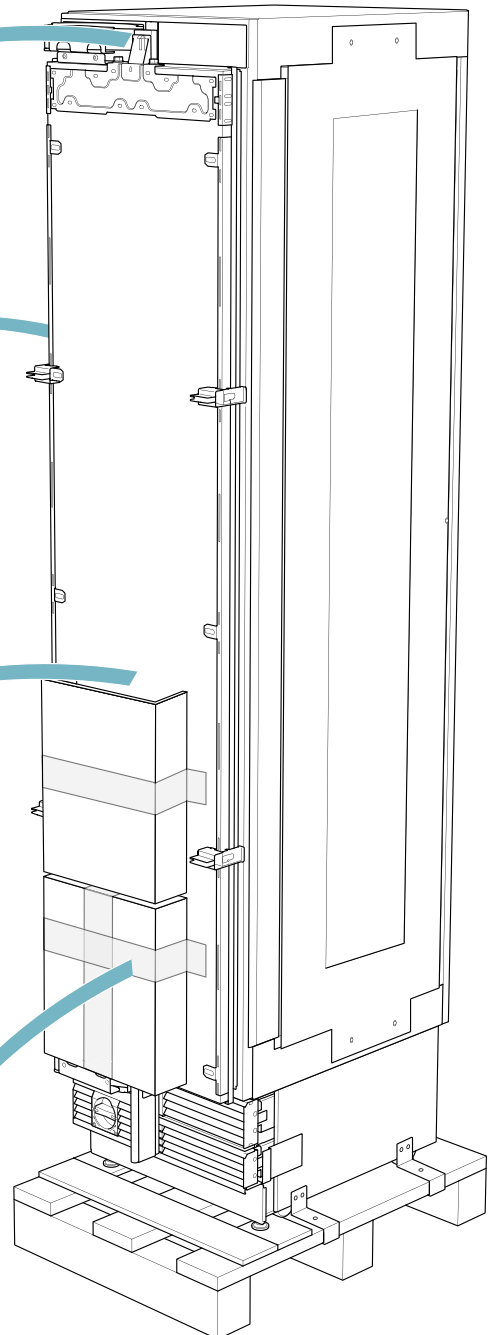
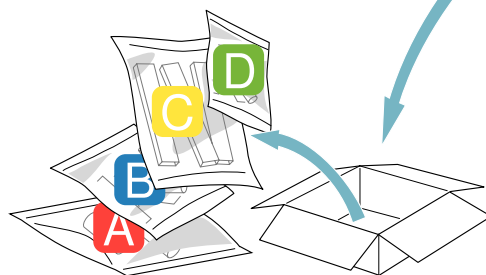
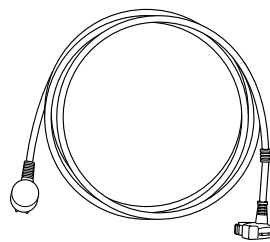
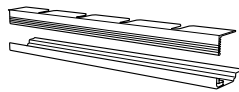
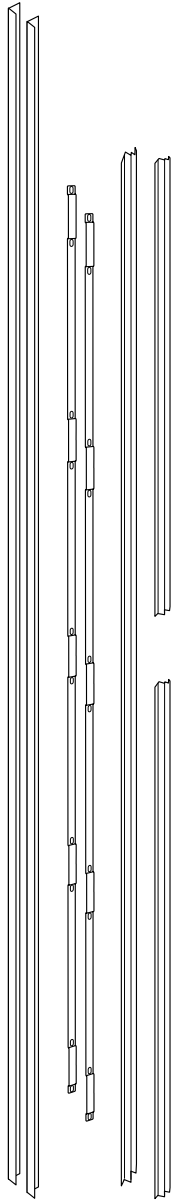
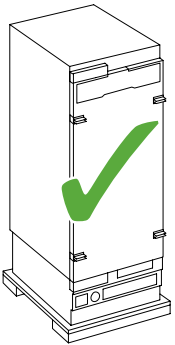
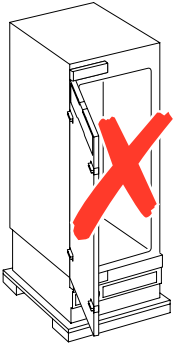
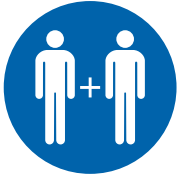


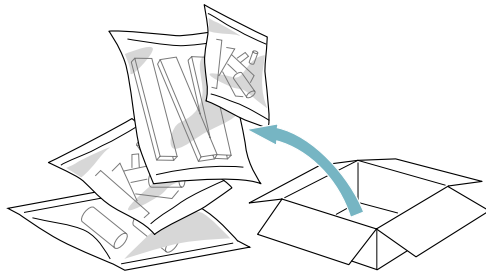
$b \geq 6\frac{1}{4}''$
 $b \geq 160$ mm




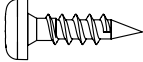


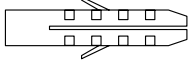


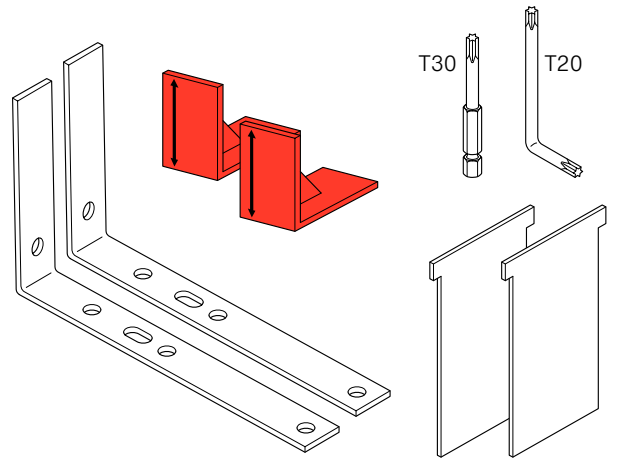



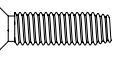


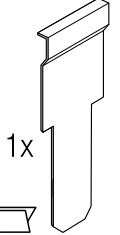
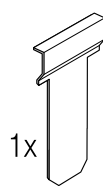
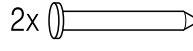
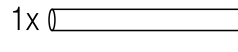
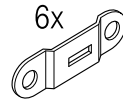
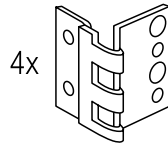


A

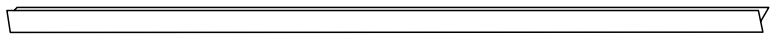
4x15			6x
5x60			4x
6x31			4x





M5x16			28x
-------	---	---	-----






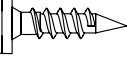
1x

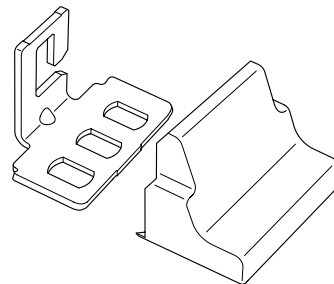


B

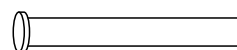
4x15			8x
------	---	---	----

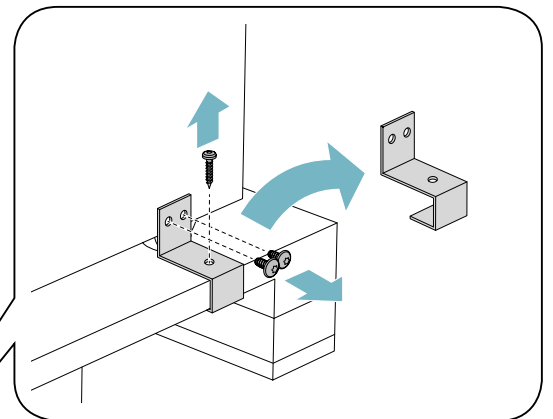
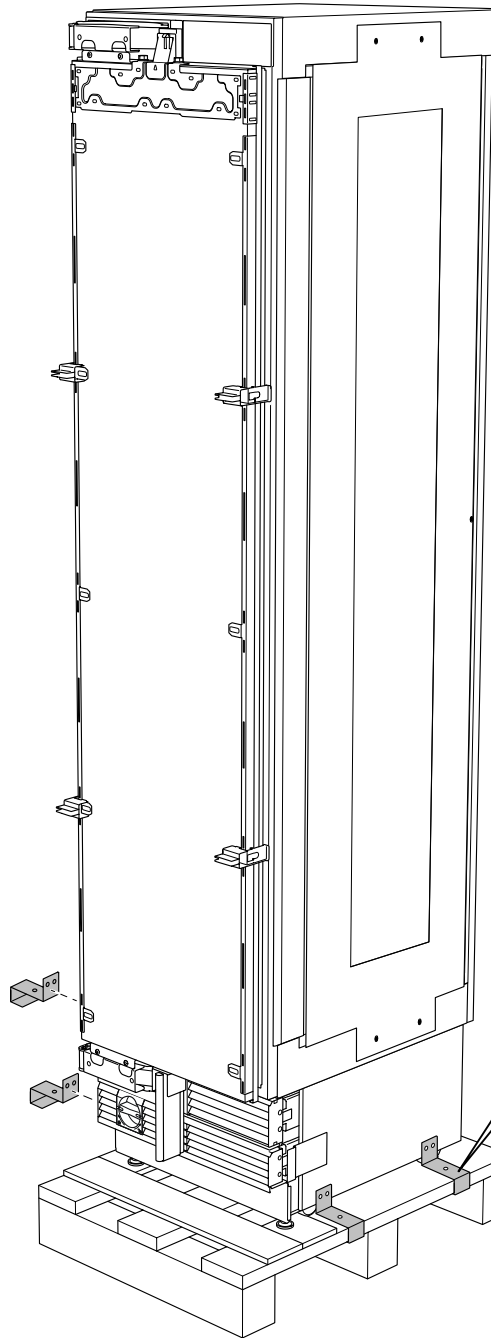
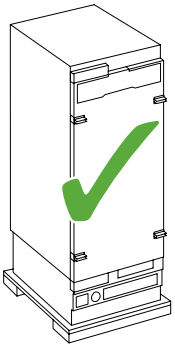
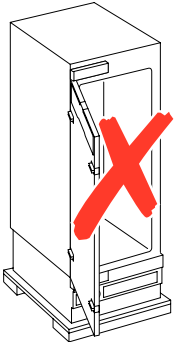
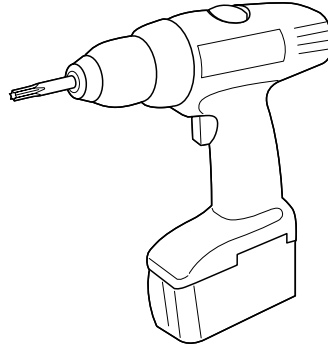
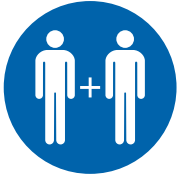
C

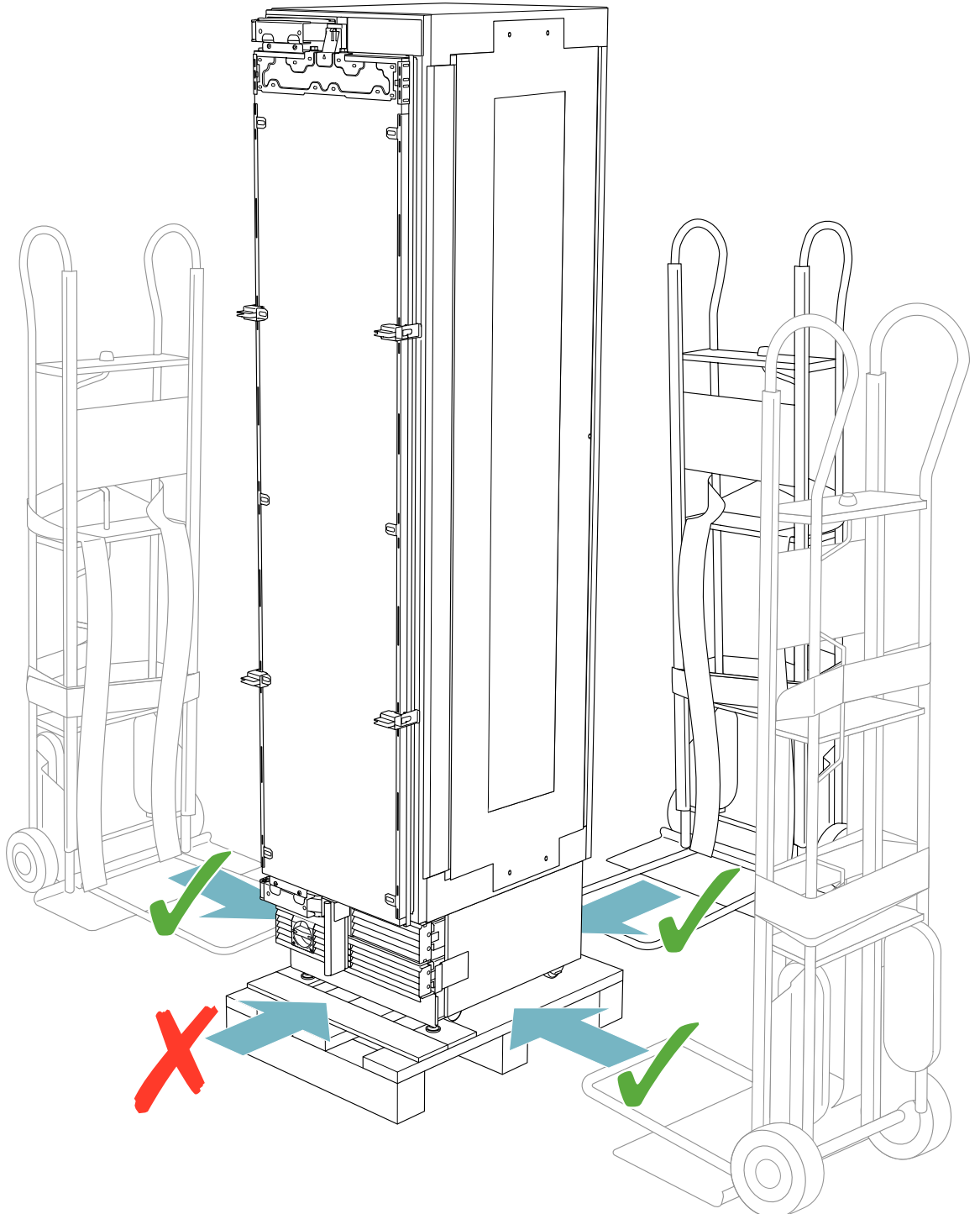
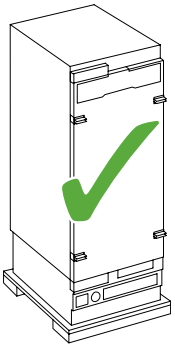
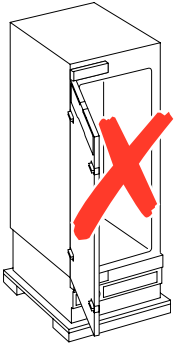
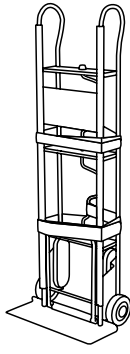
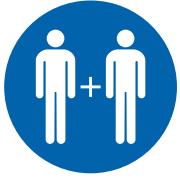
4x15			32x
4x15			2x

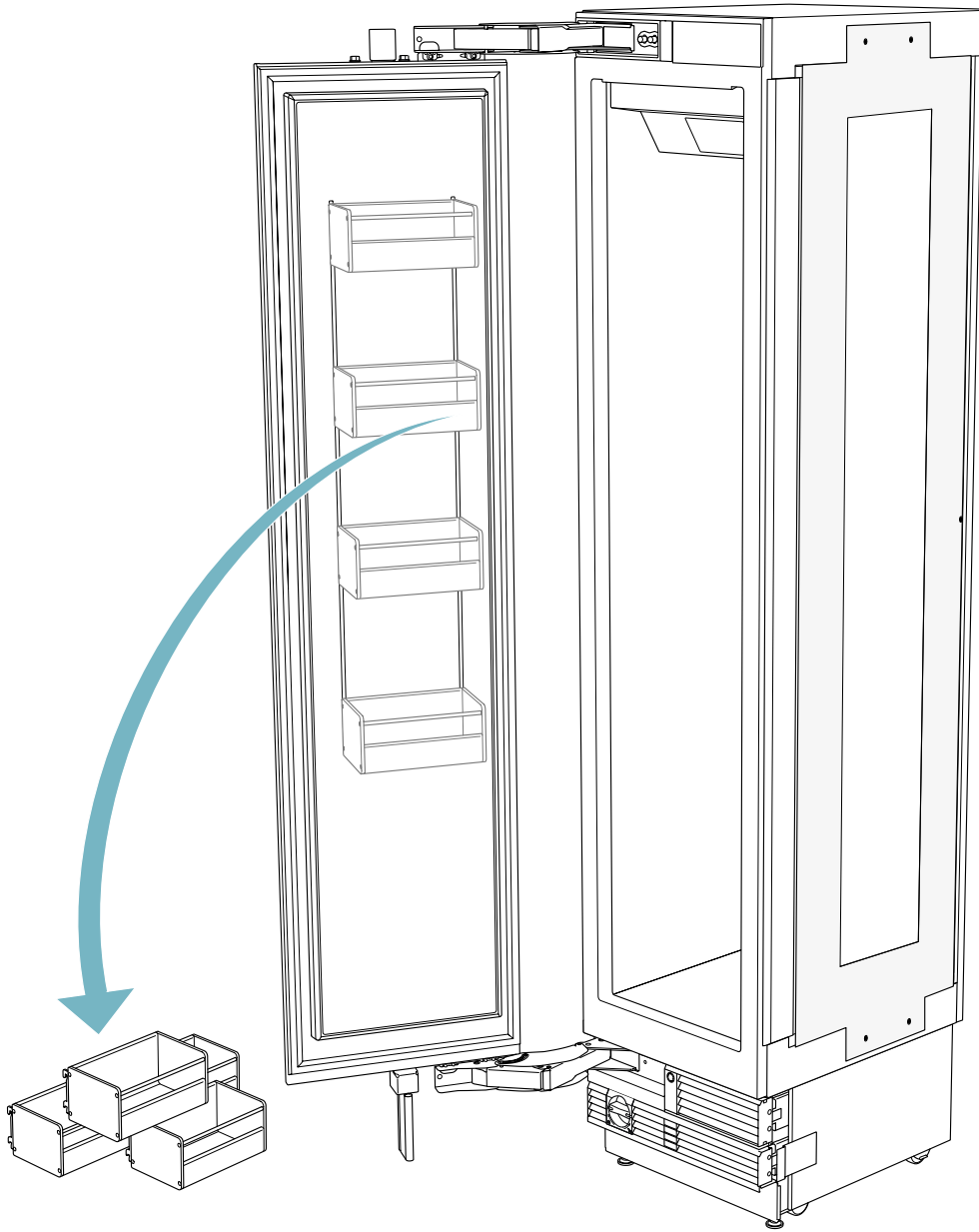
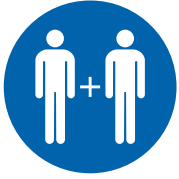


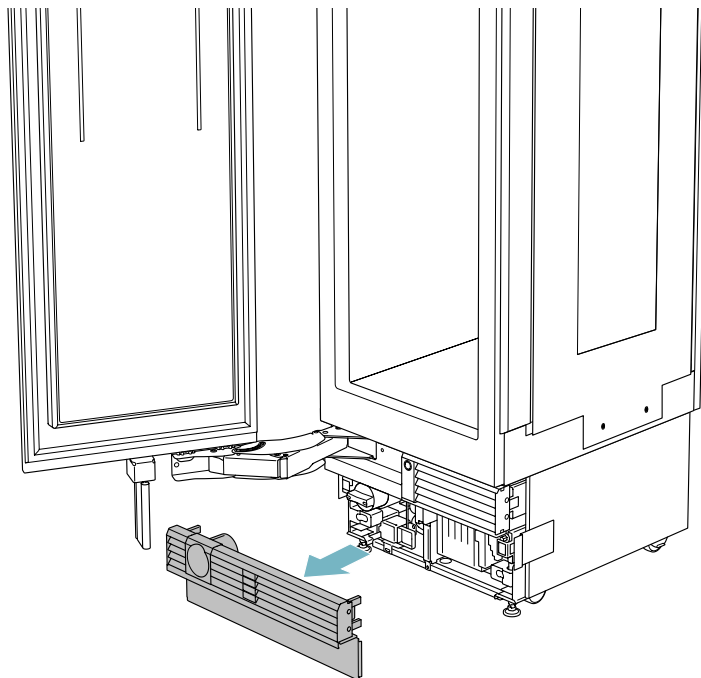
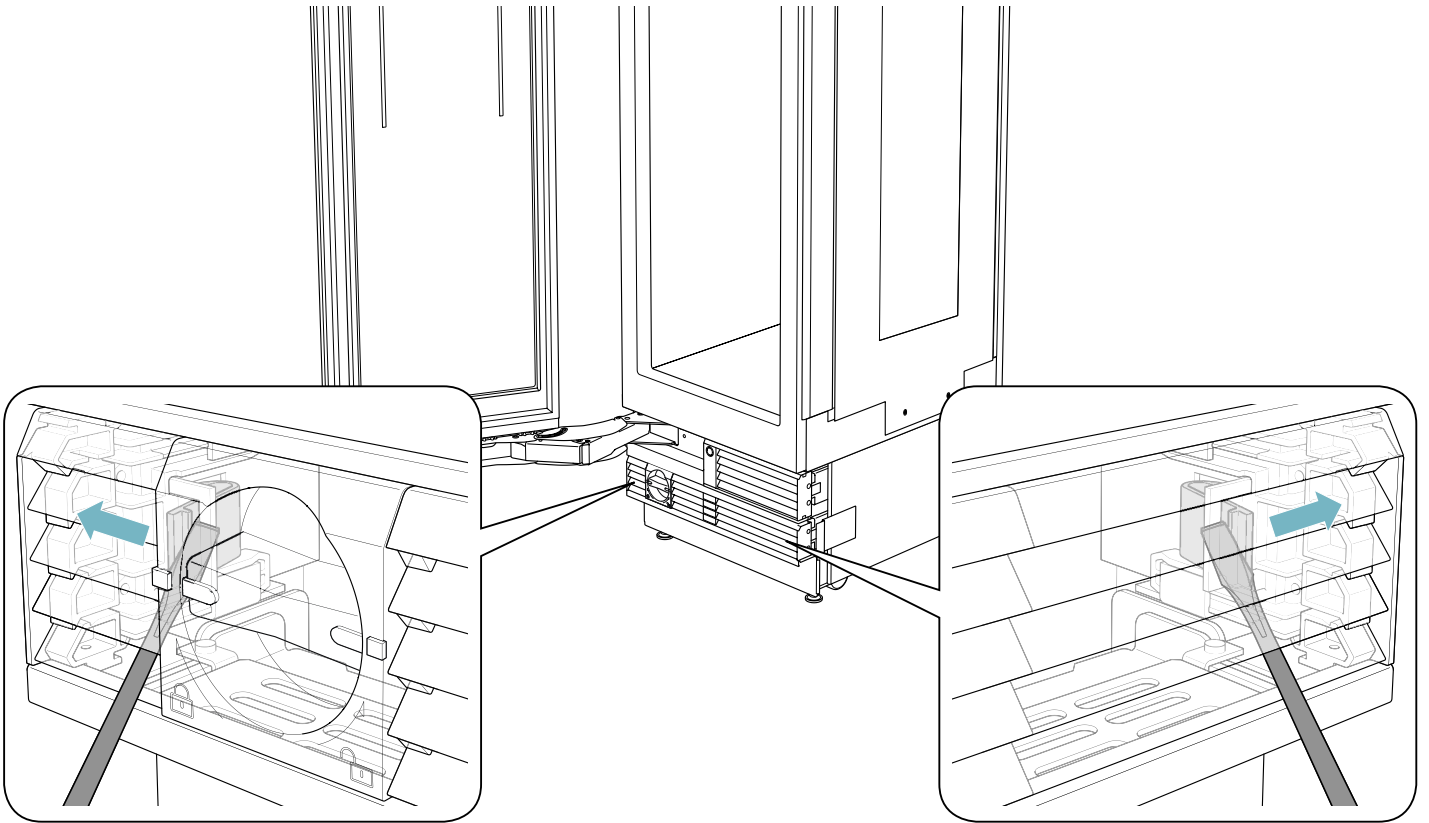
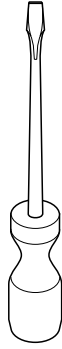
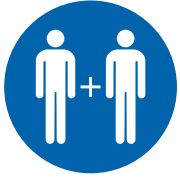
D

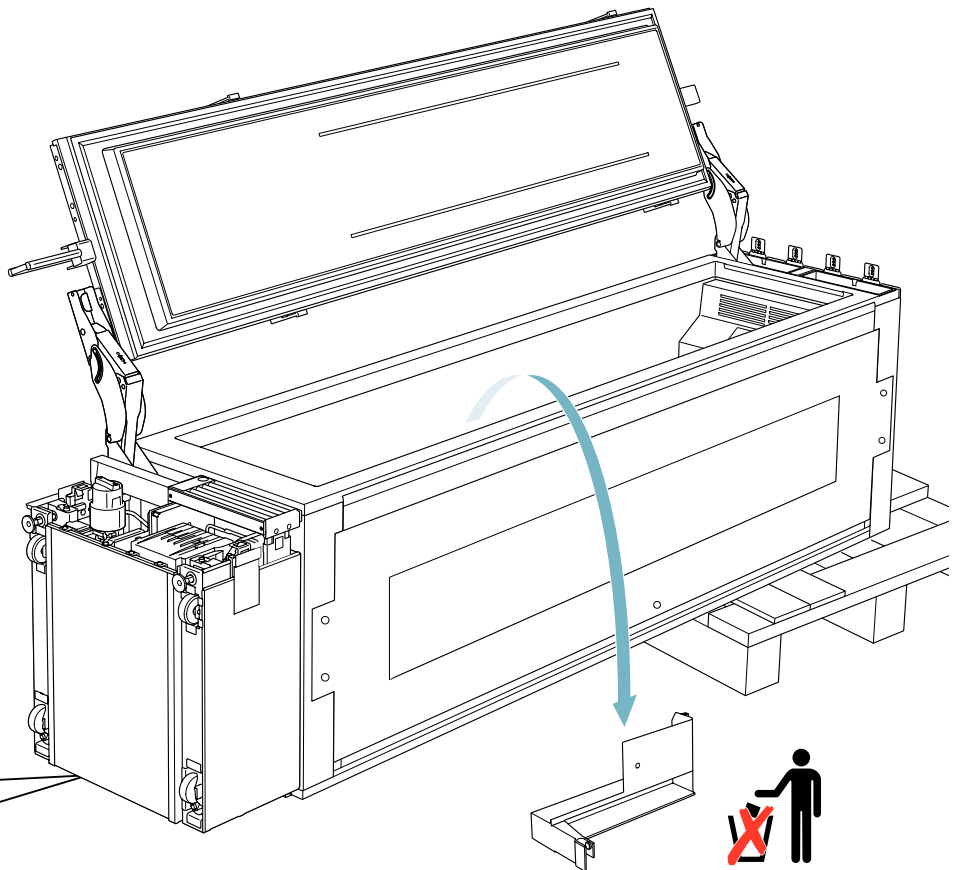
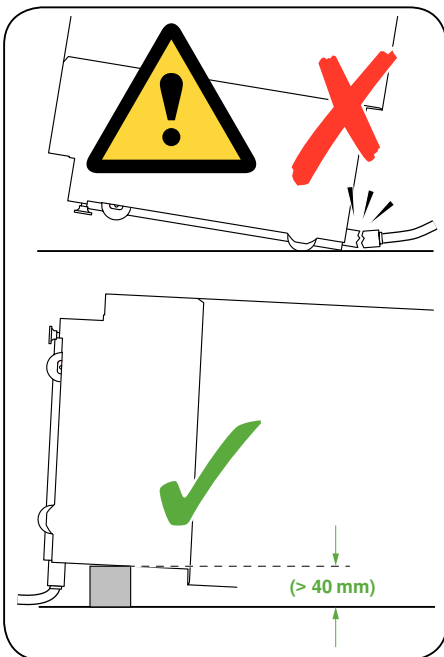
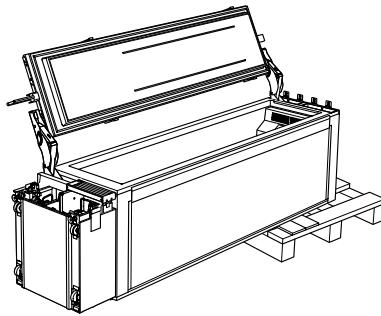
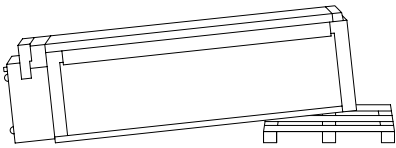
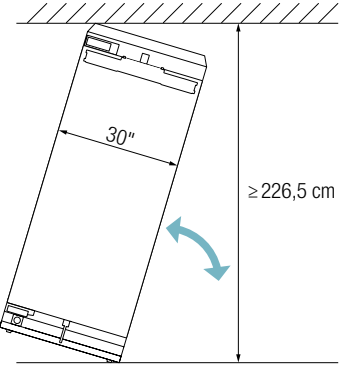
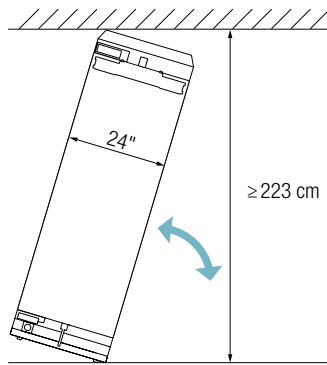
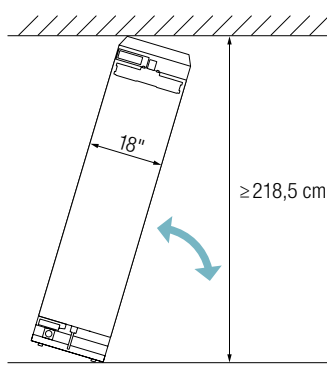
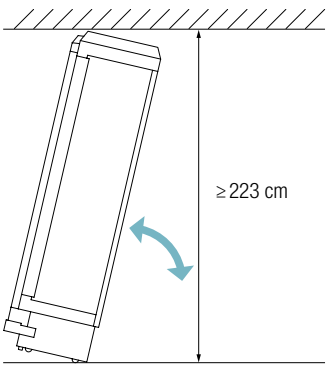
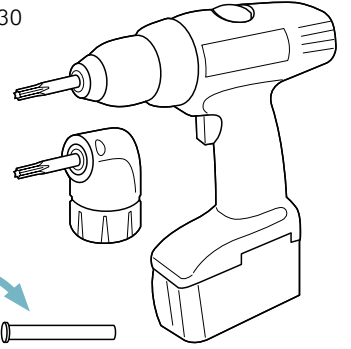
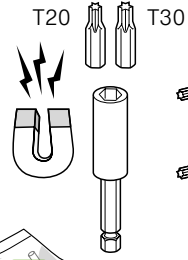
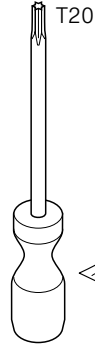
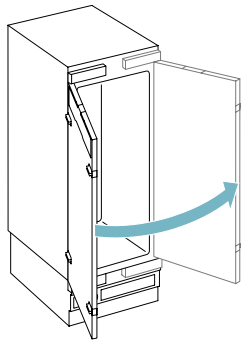
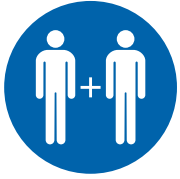




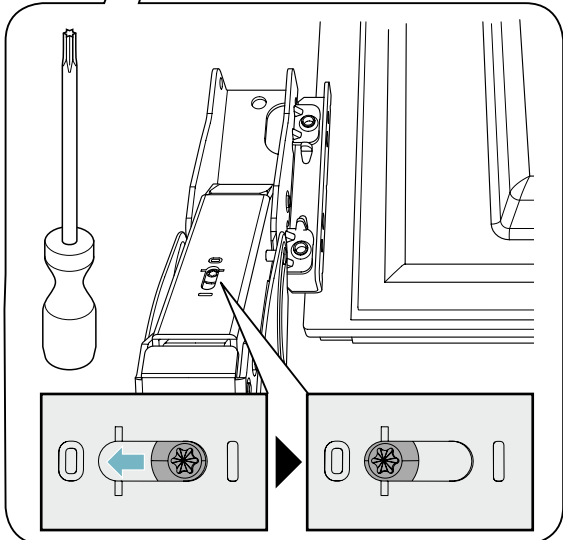
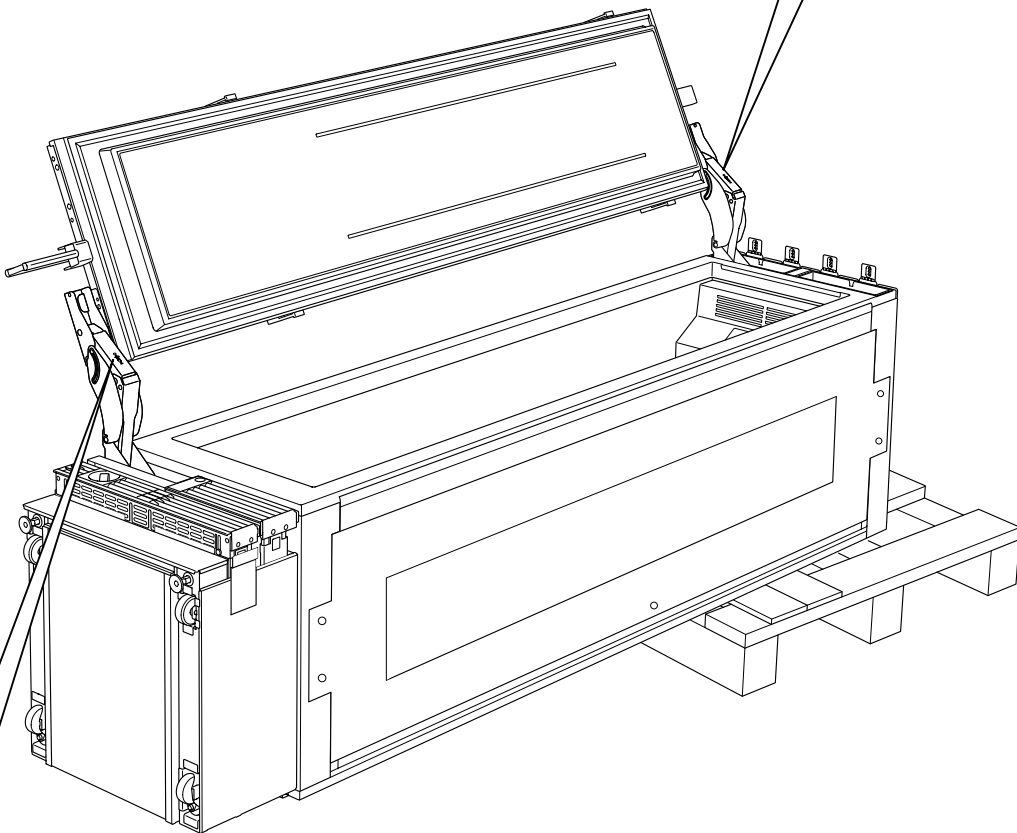
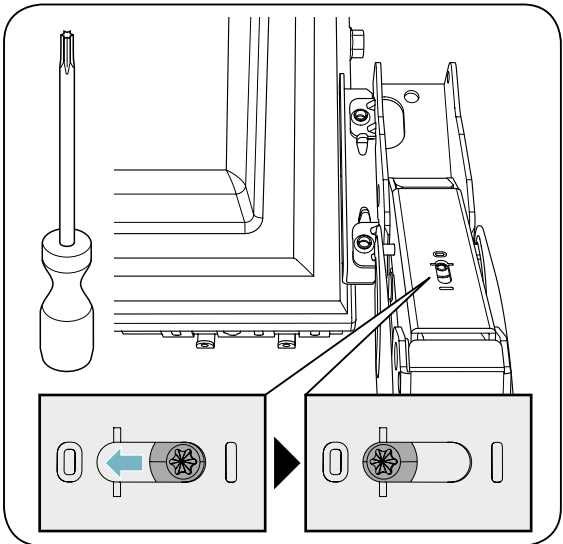
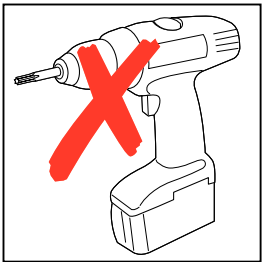


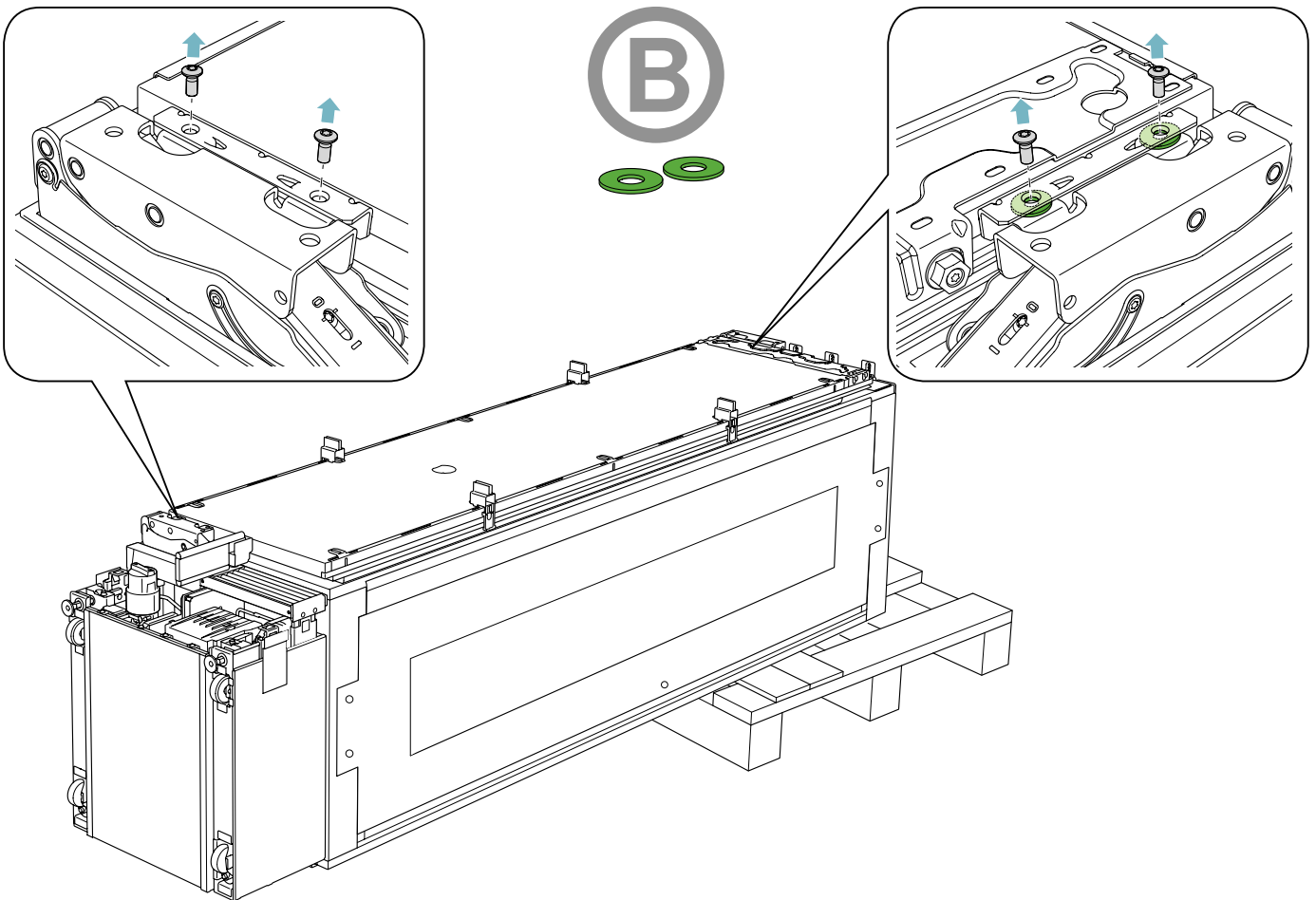
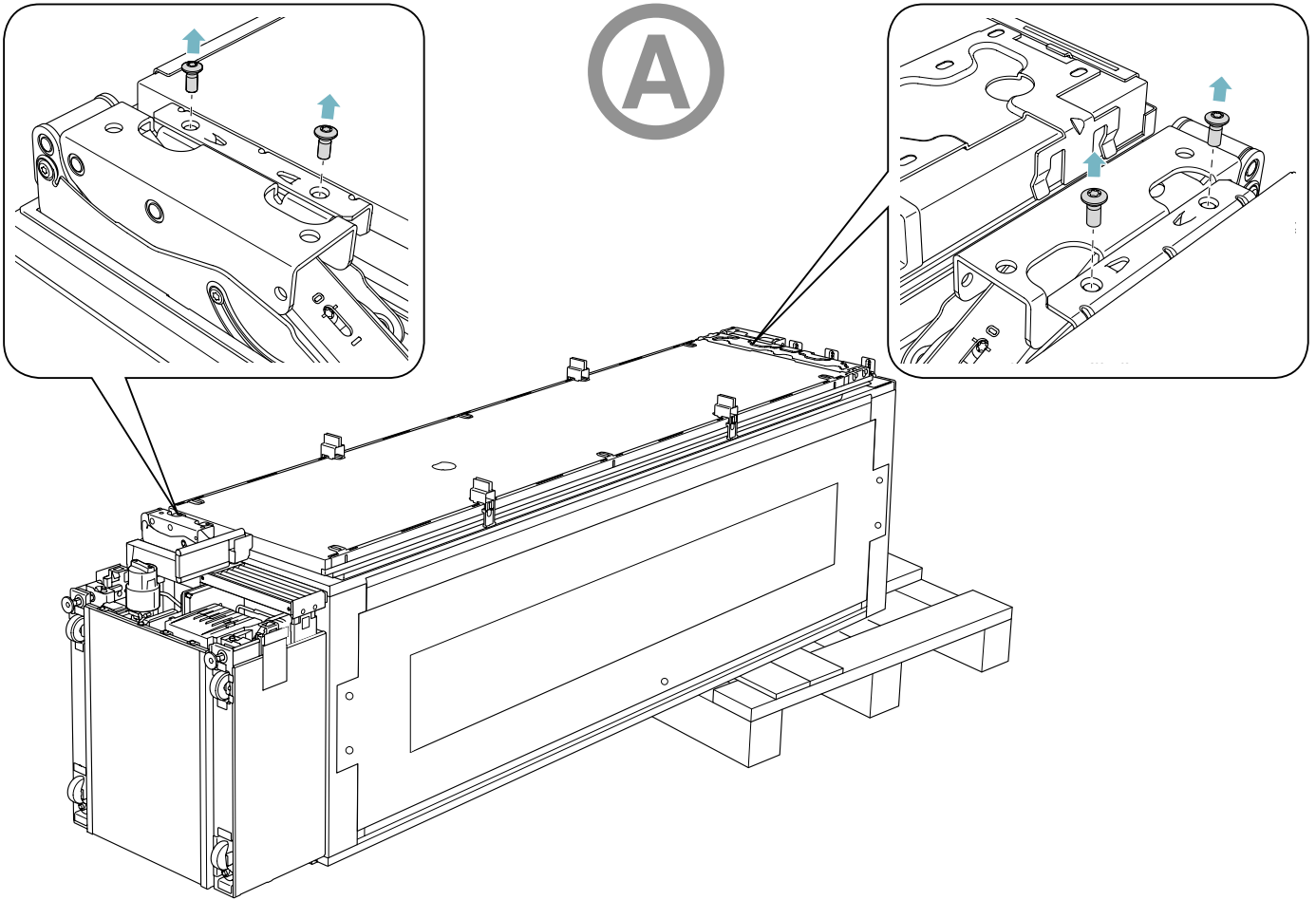




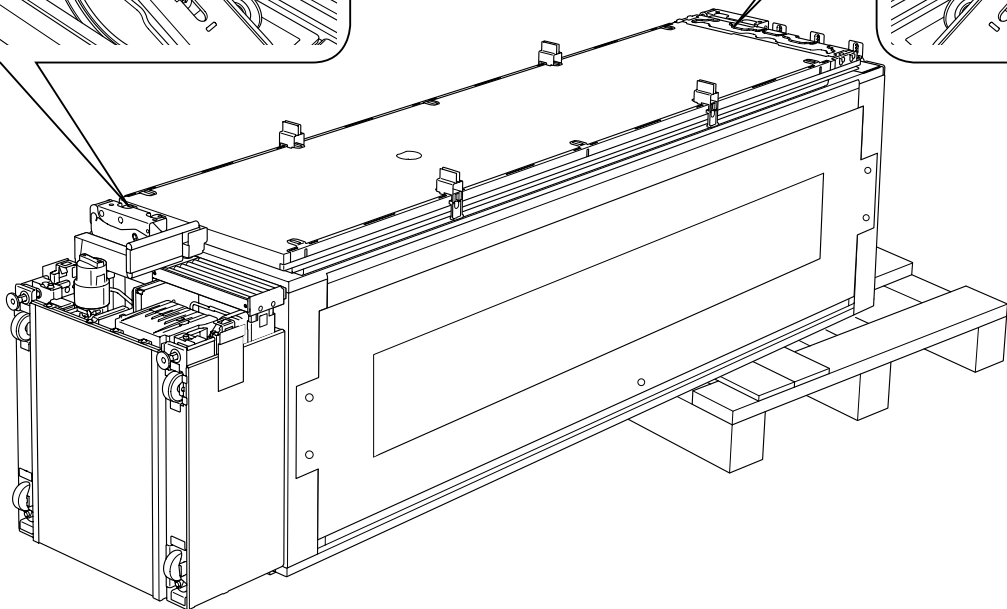
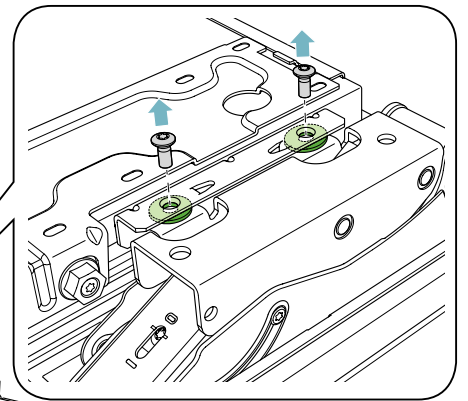
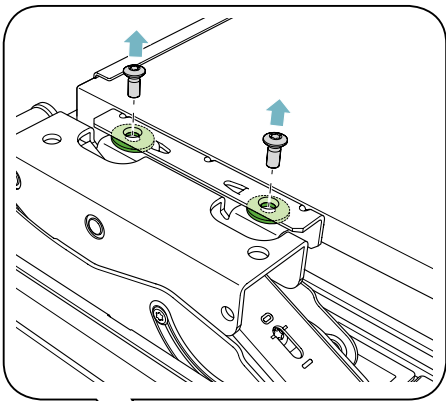
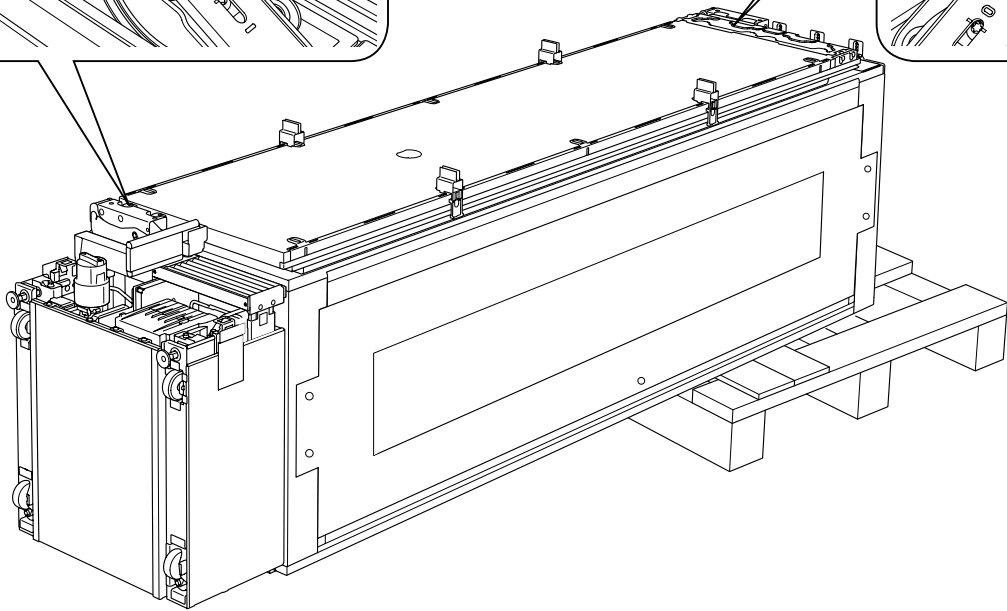
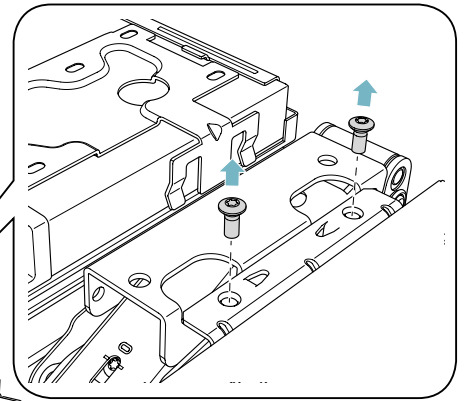
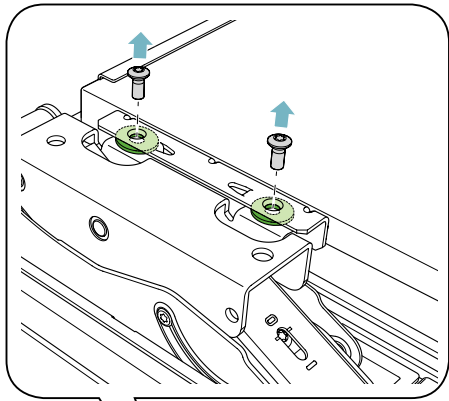


- A
- B
- C
- D

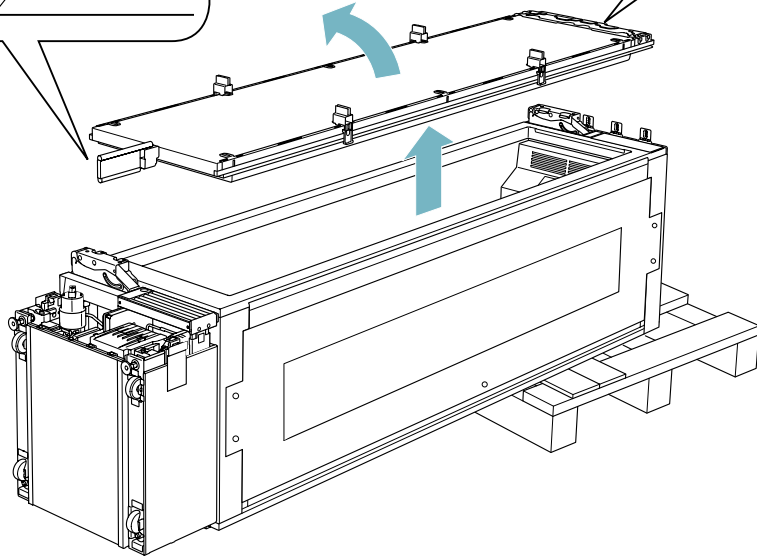
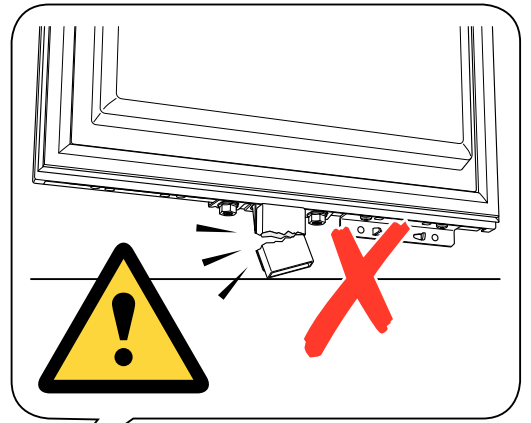
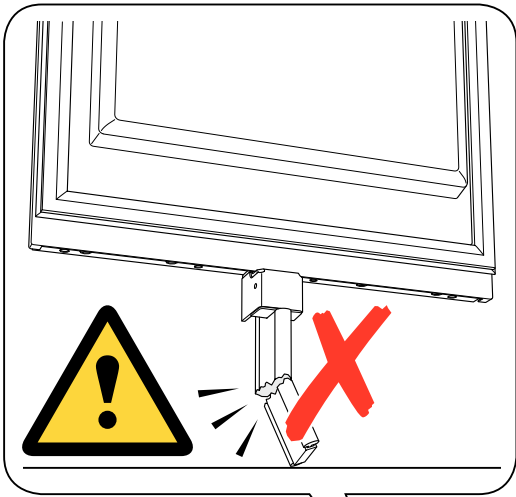




A
B
C
D

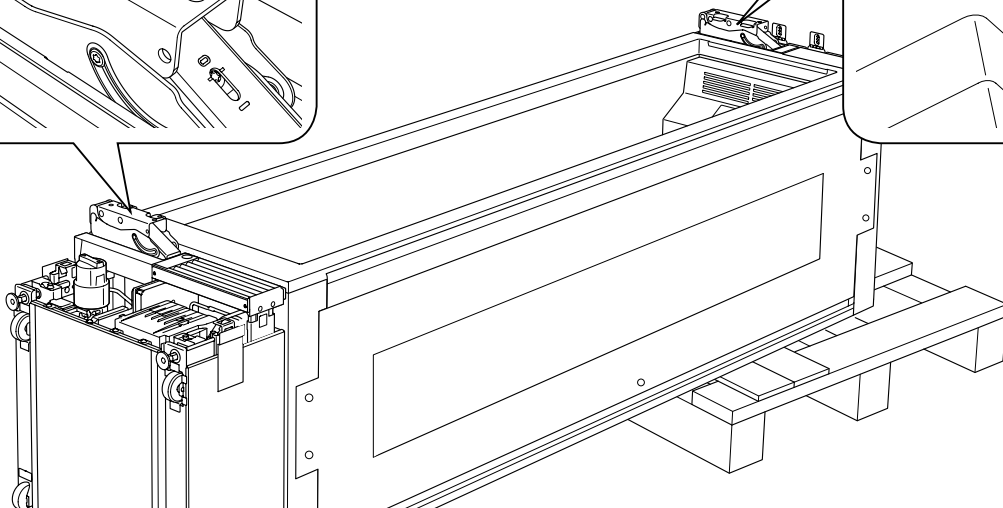
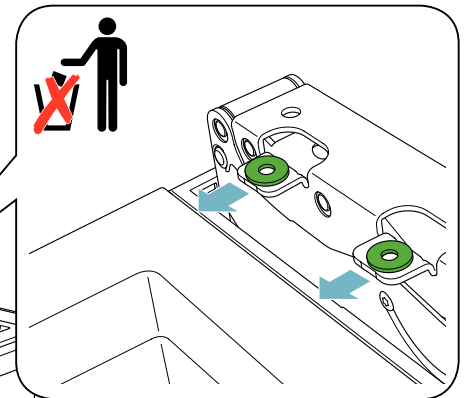
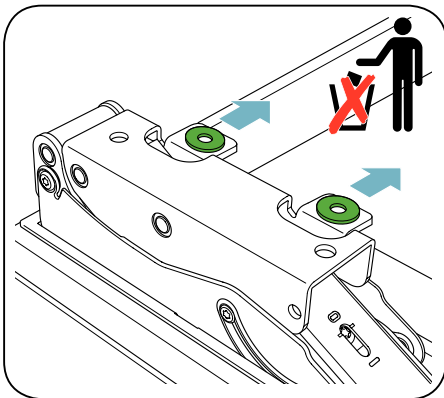


A
B
C
D

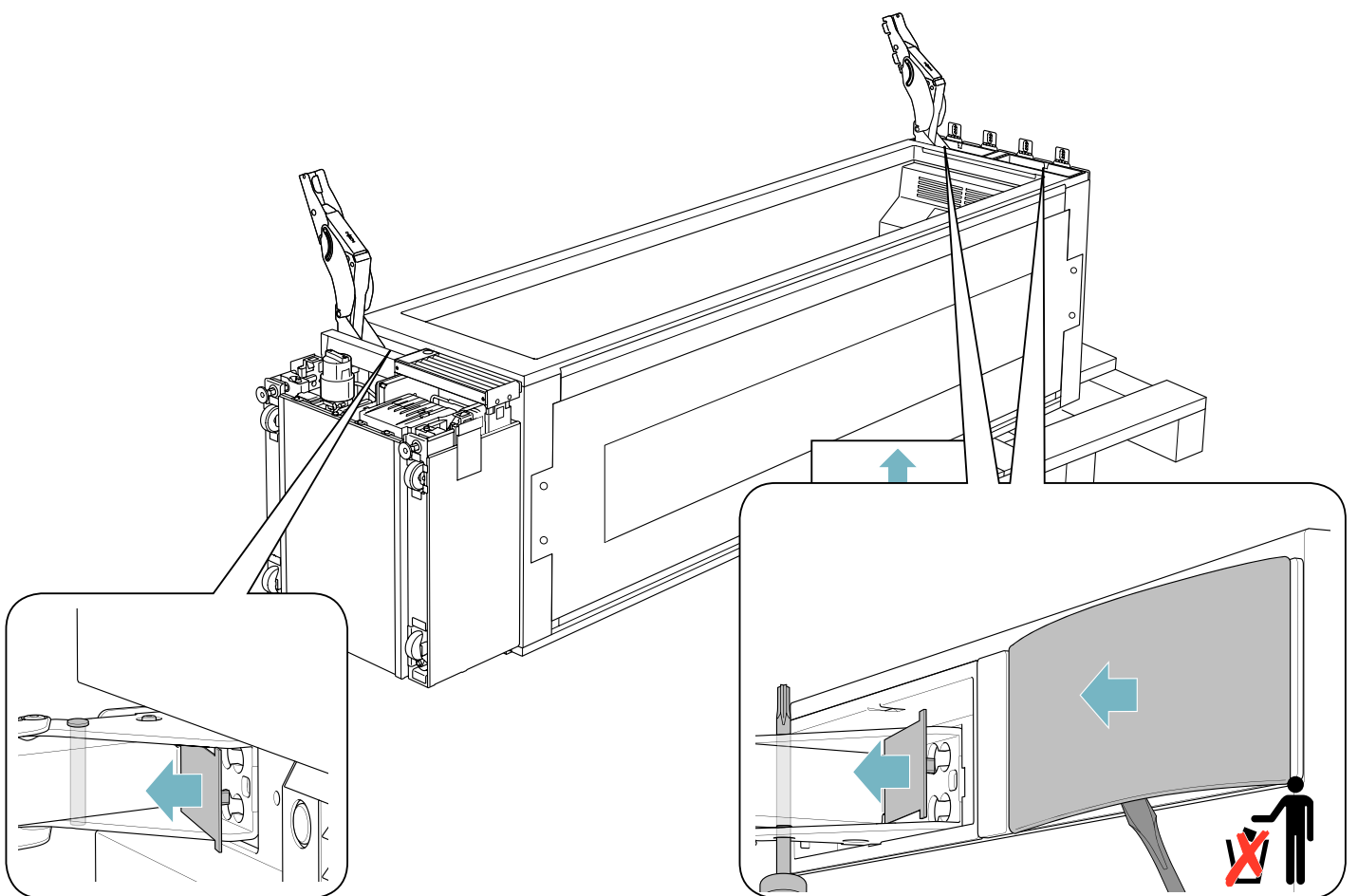
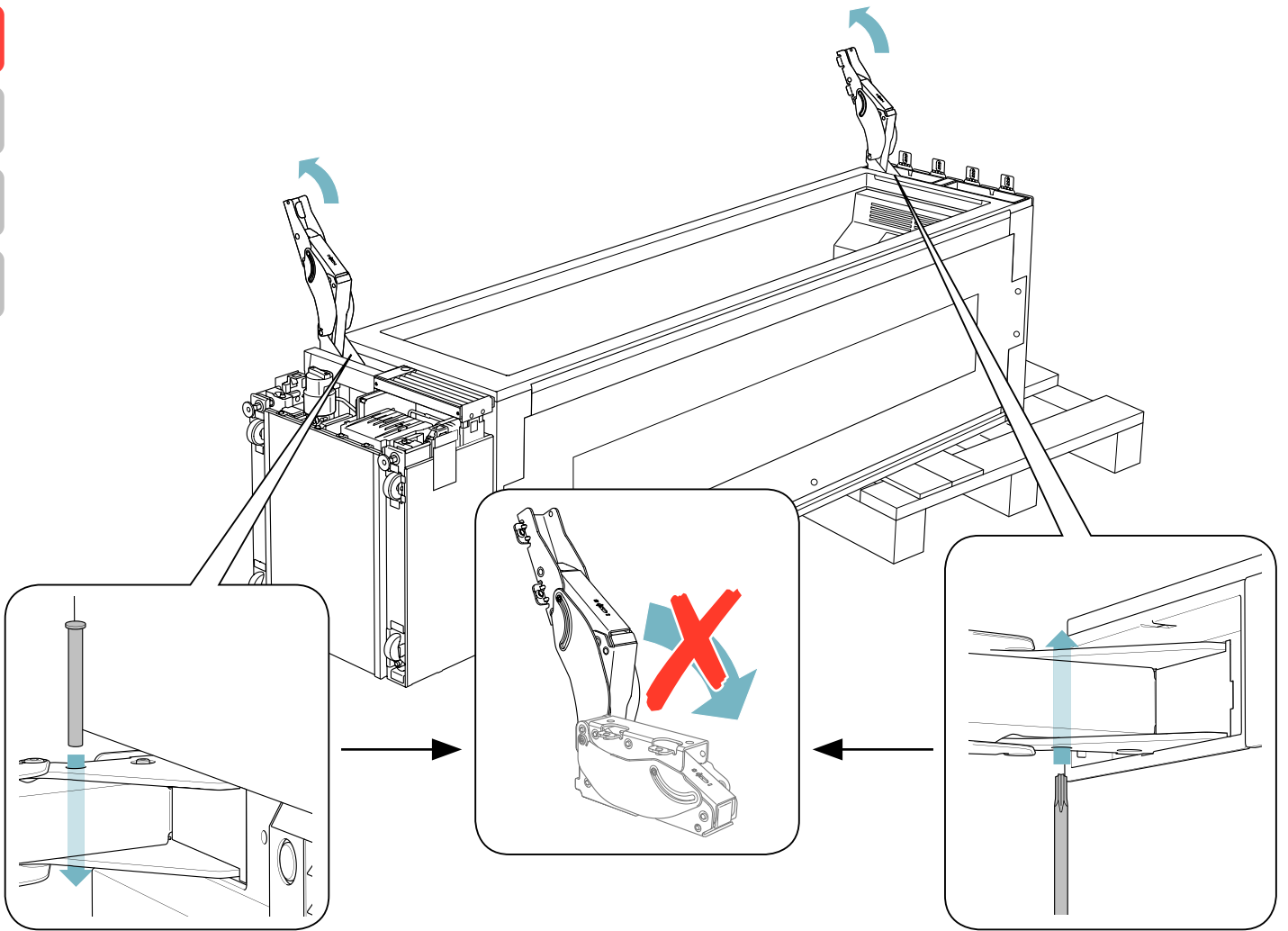


C D

B D



- A
- B
- C
- D

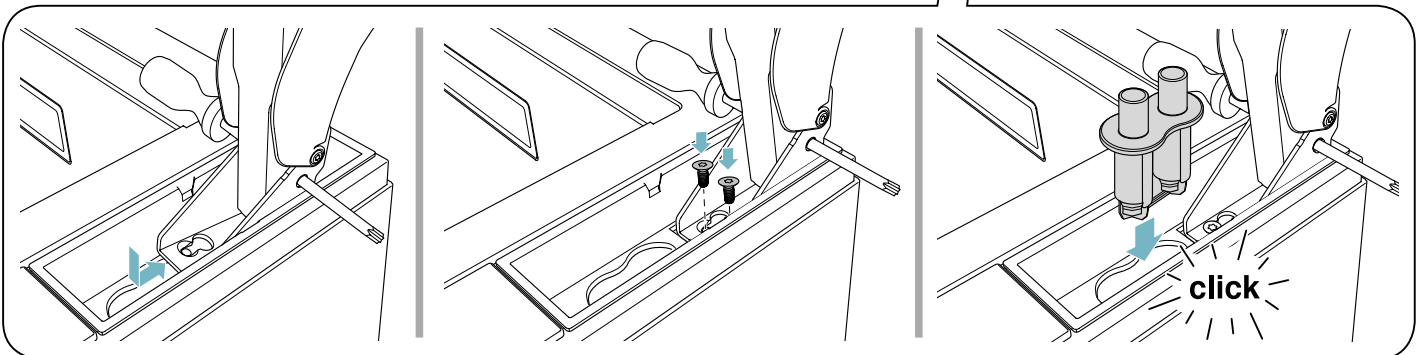
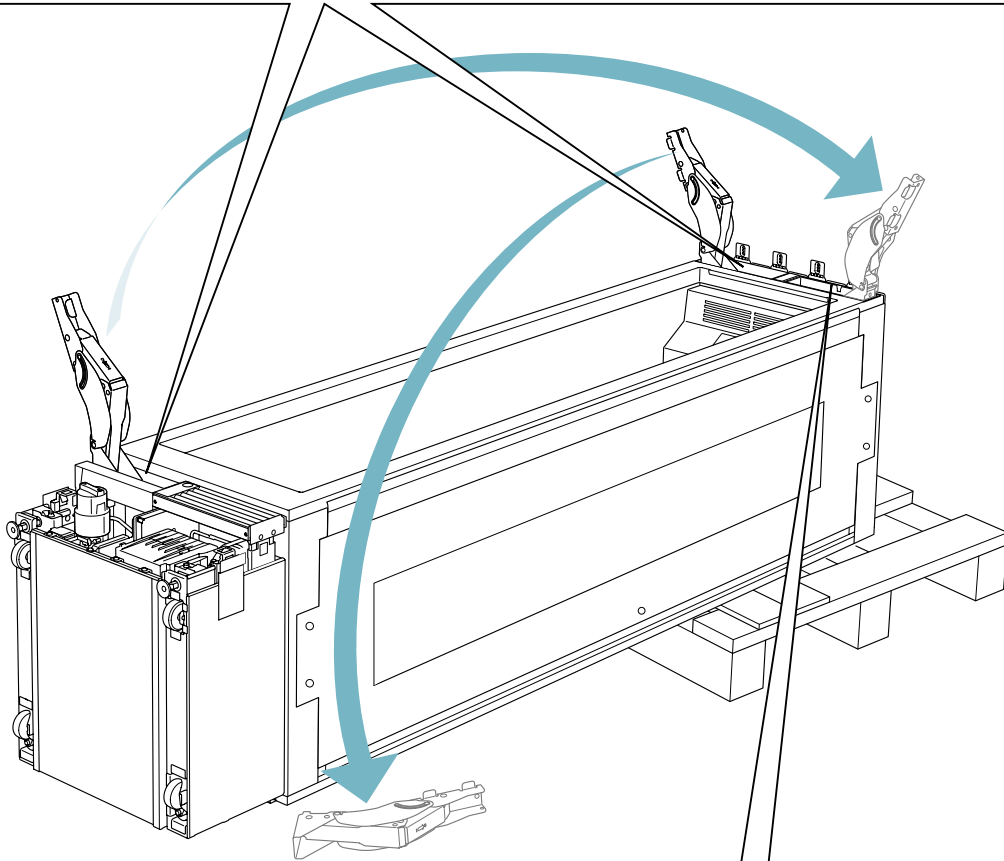
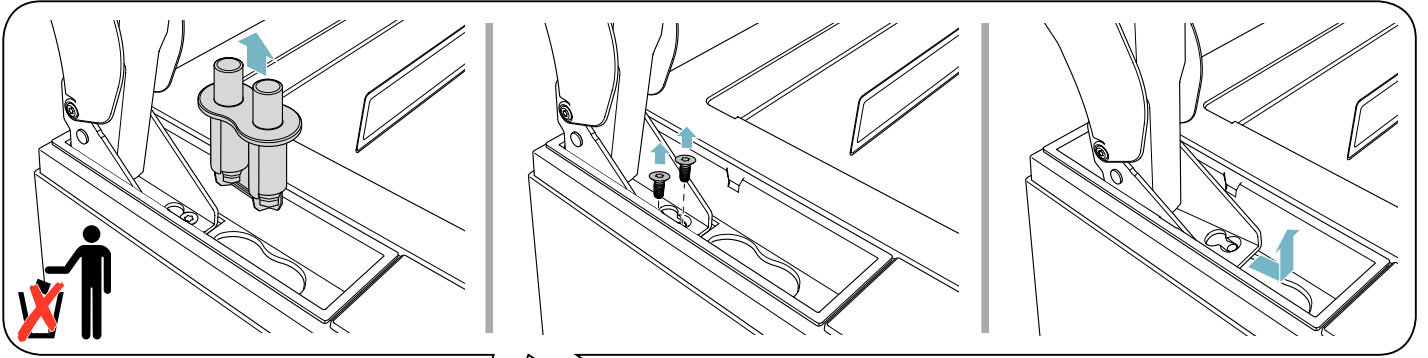
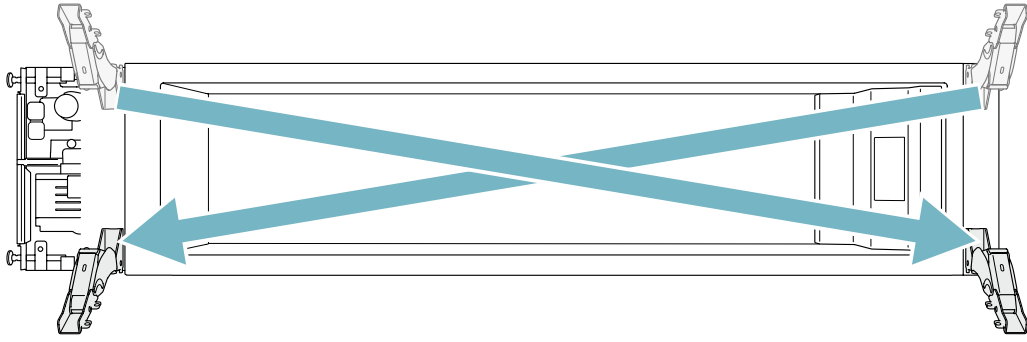


A

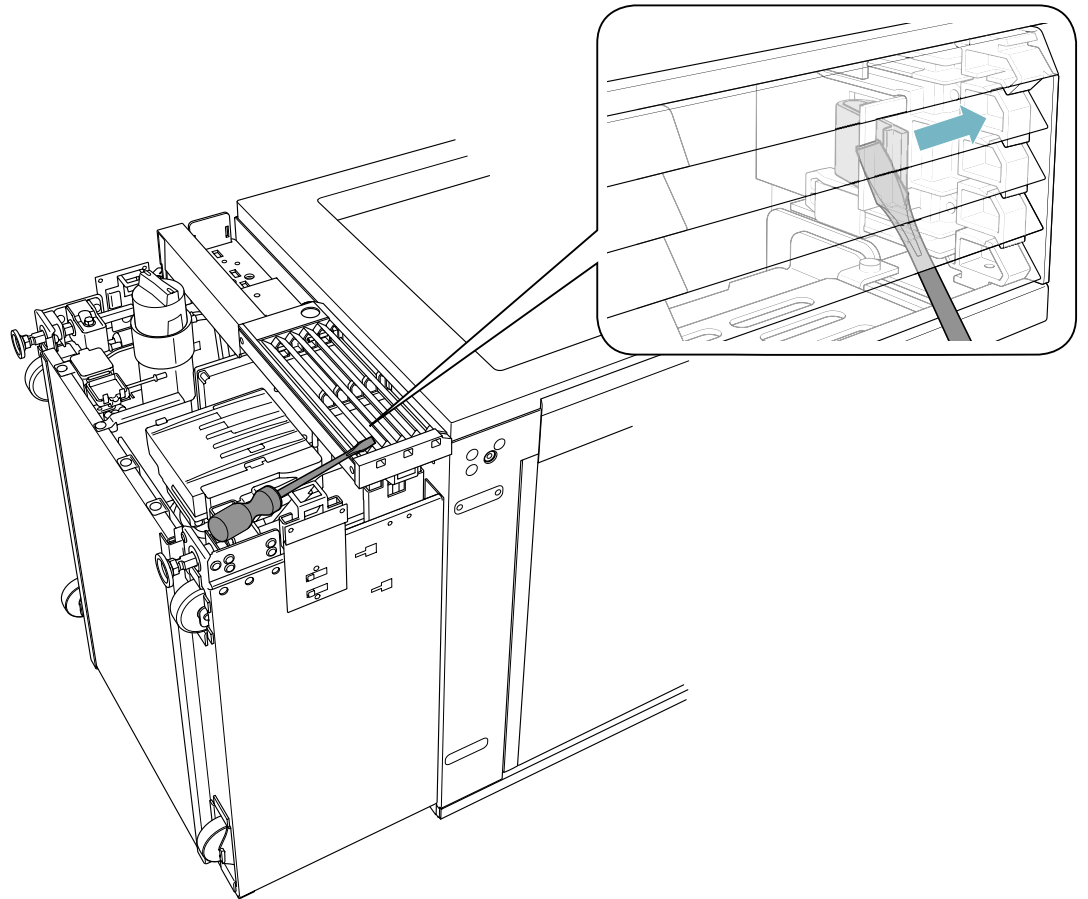
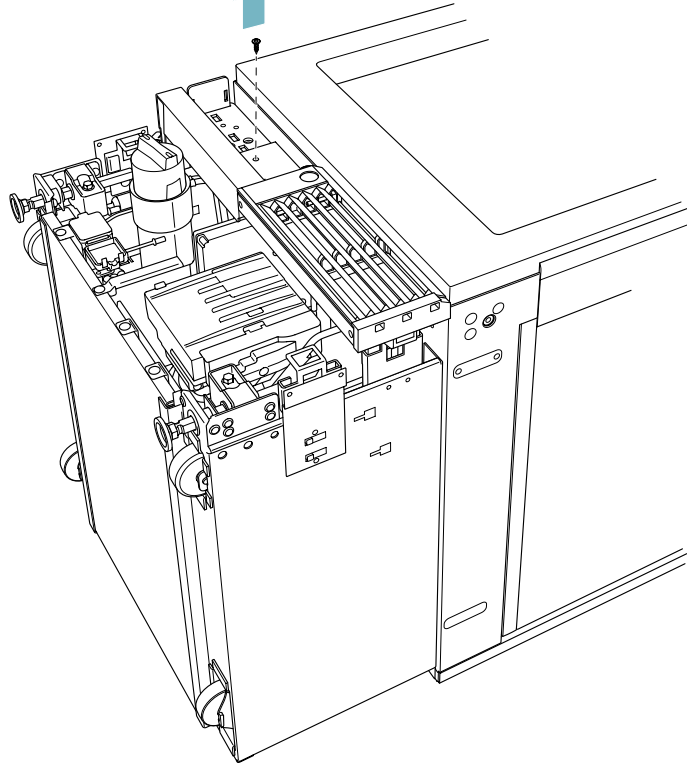
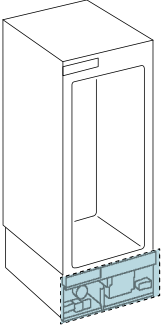
B

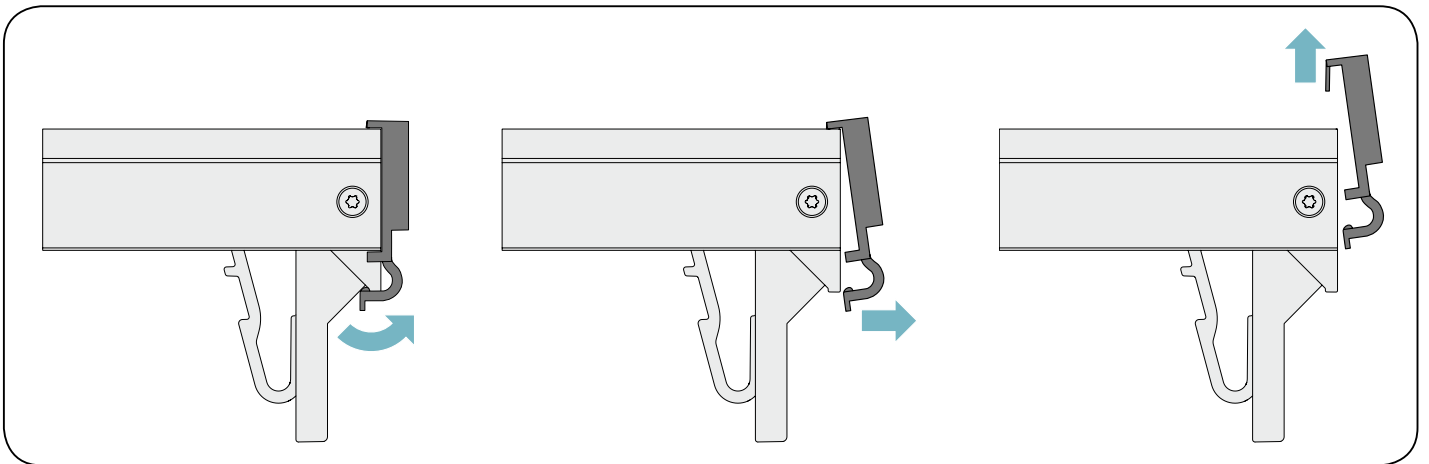
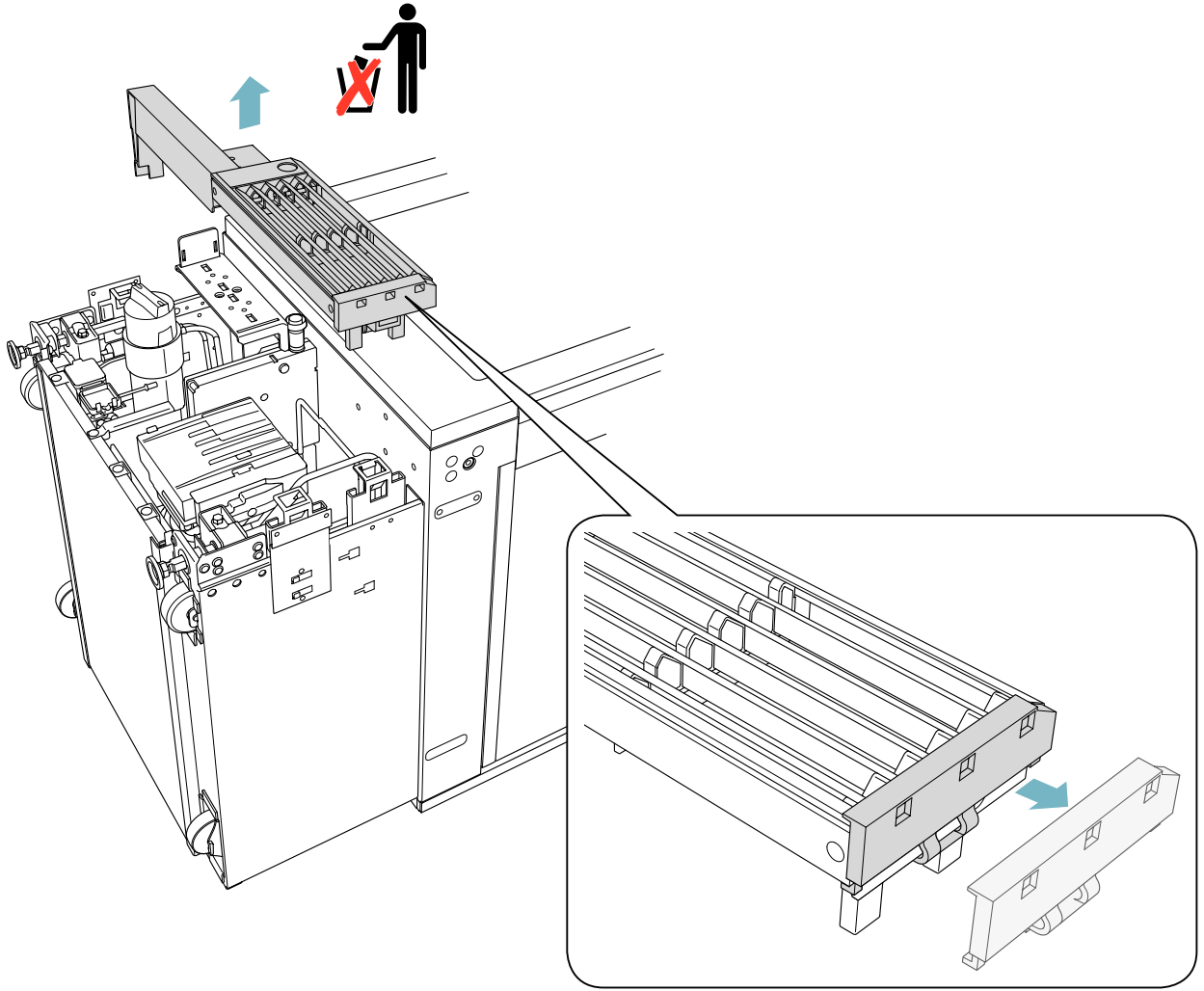
C

D



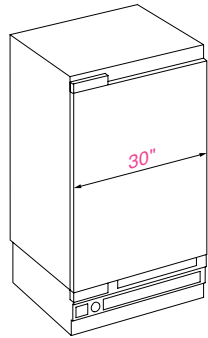
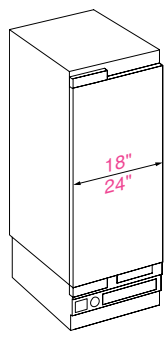
- A
- B
- C
- D



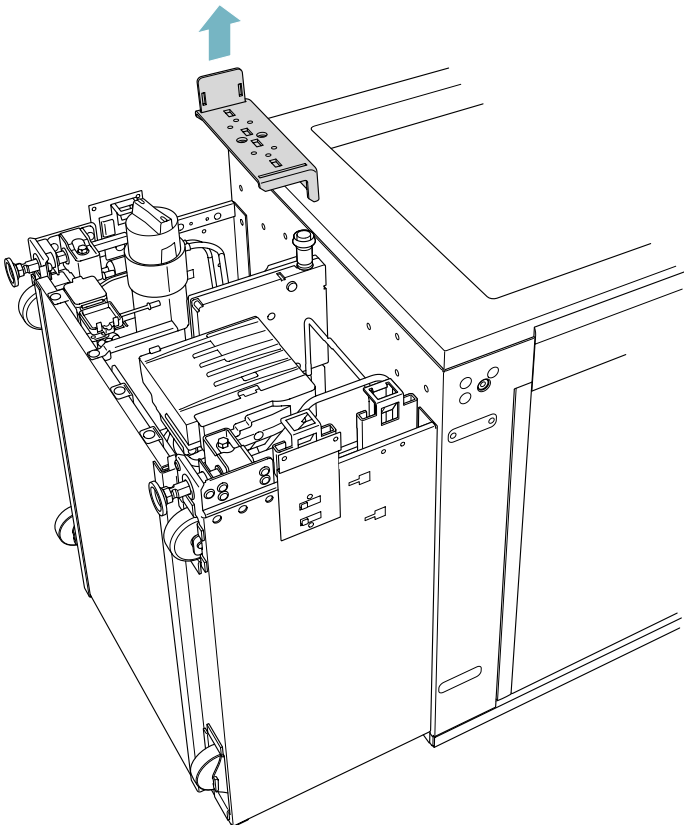
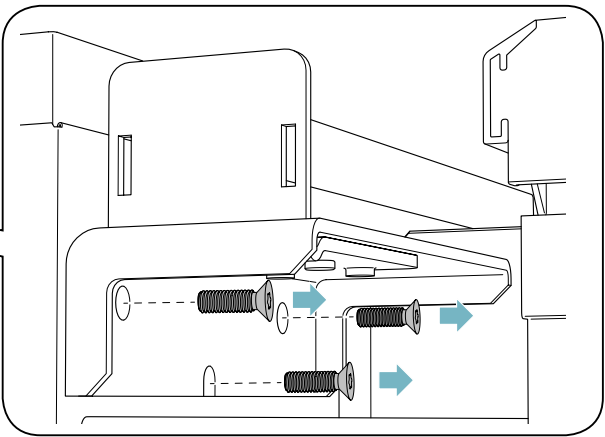
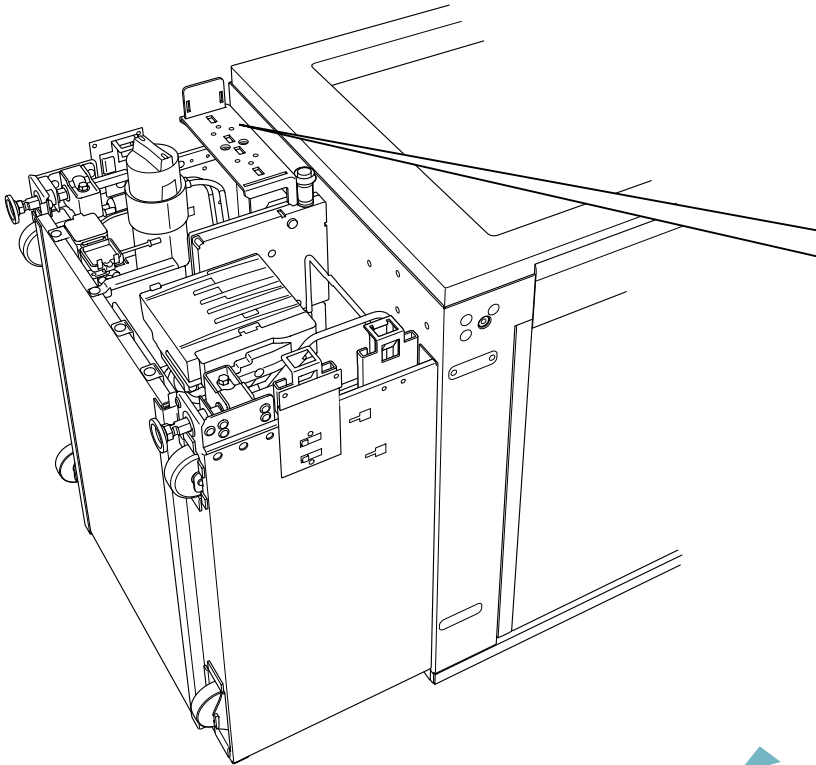


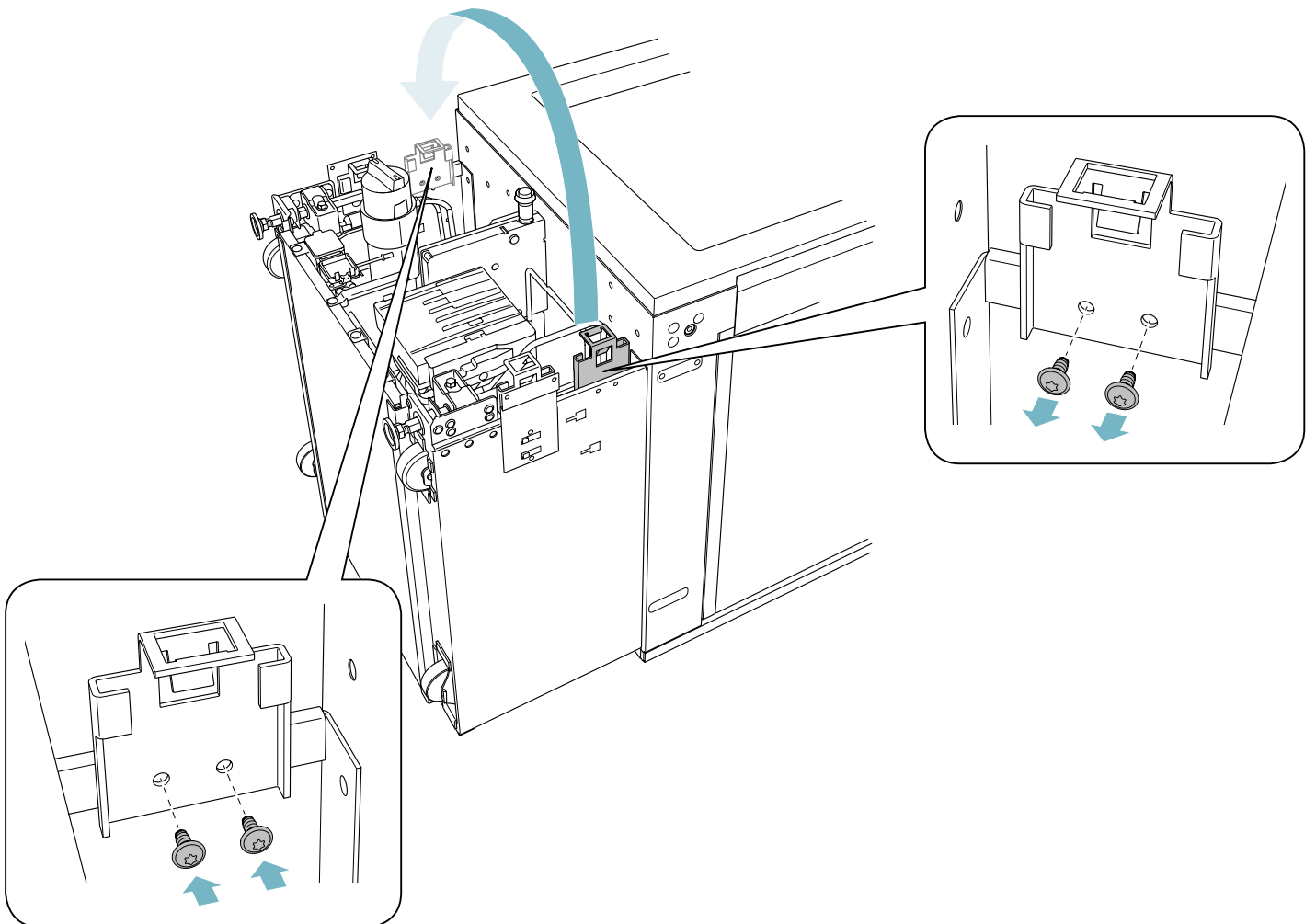
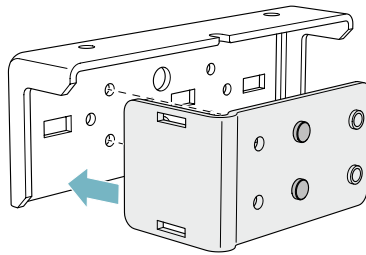
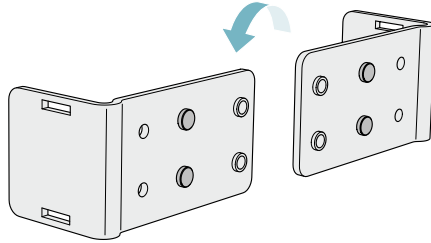
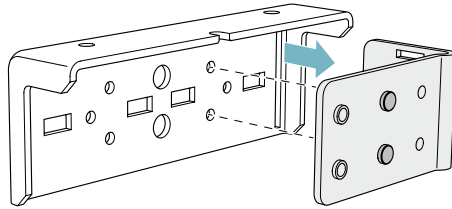
A
B
C
D

26

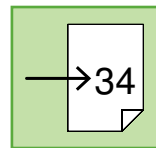
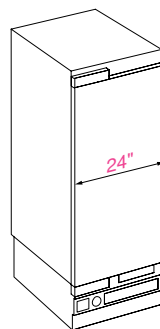
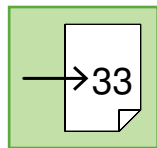
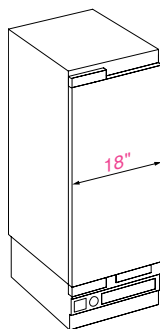
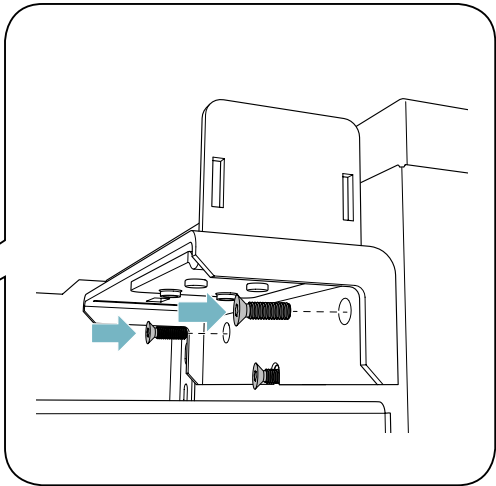
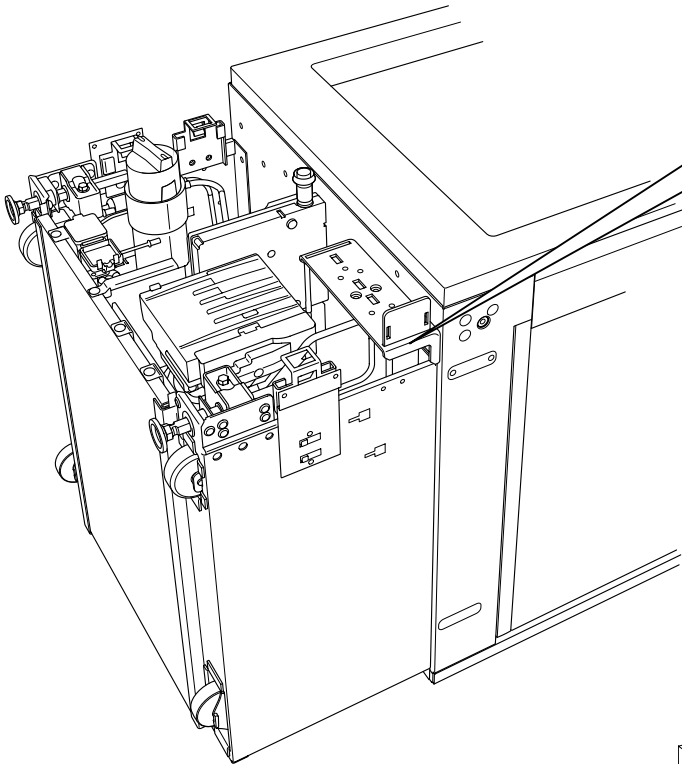
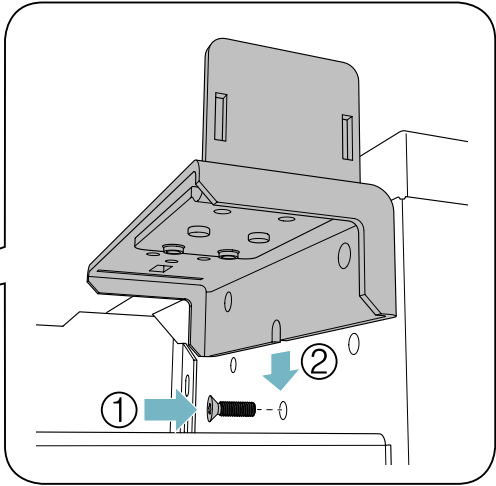
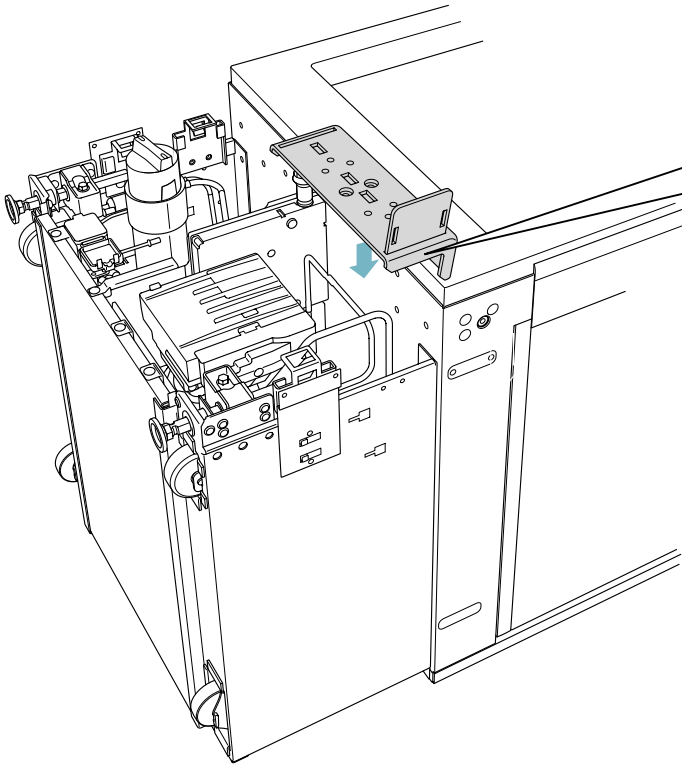


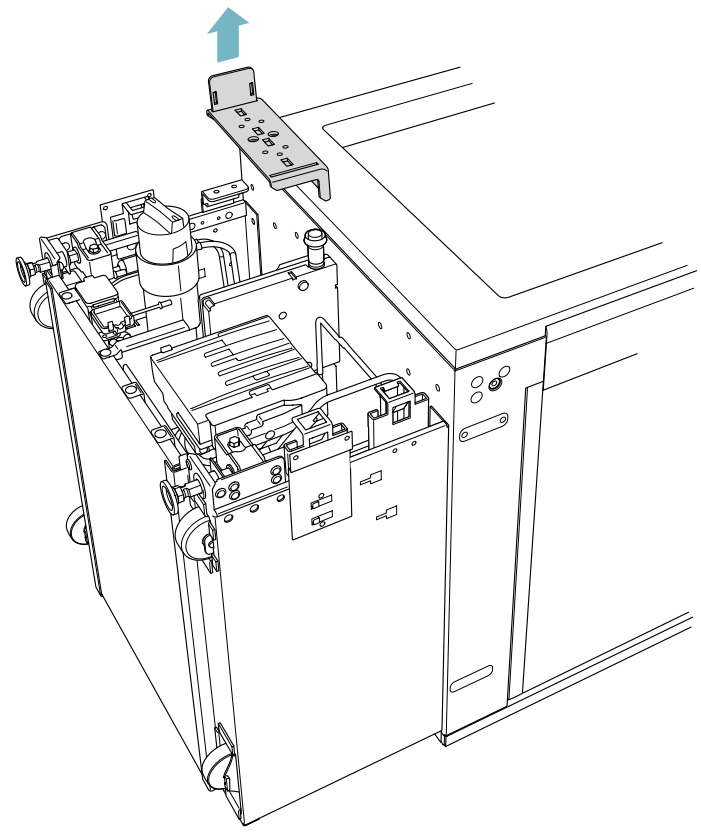
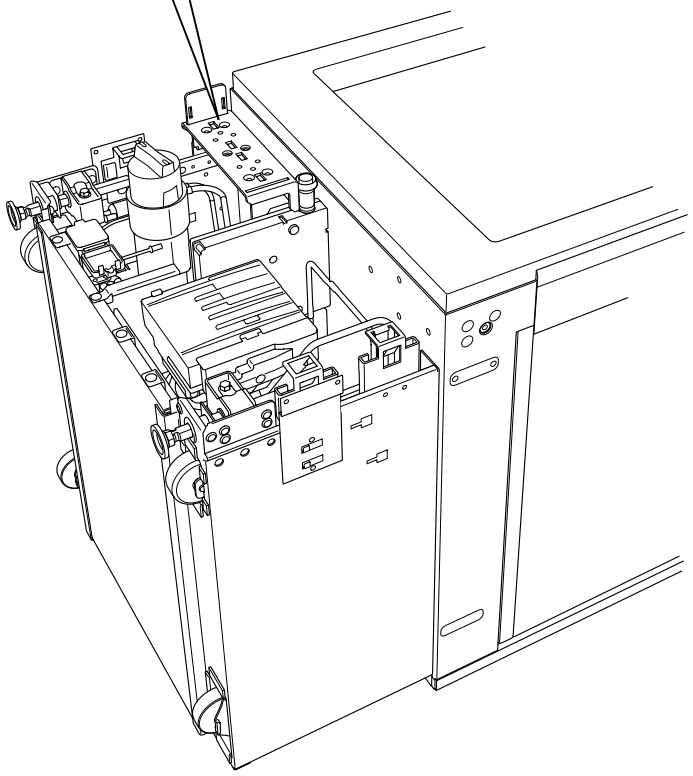
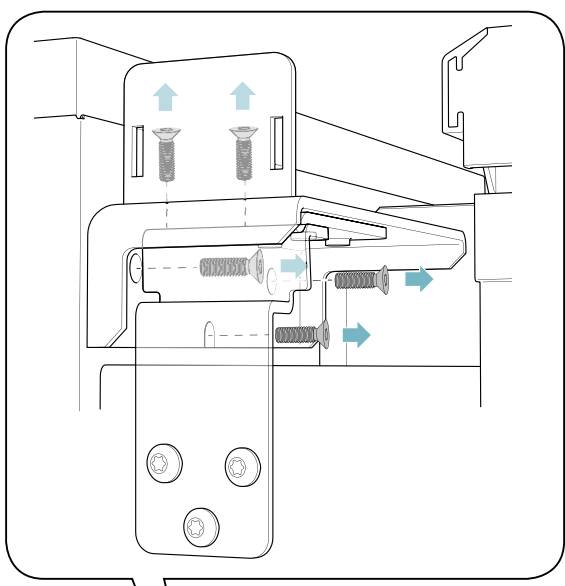
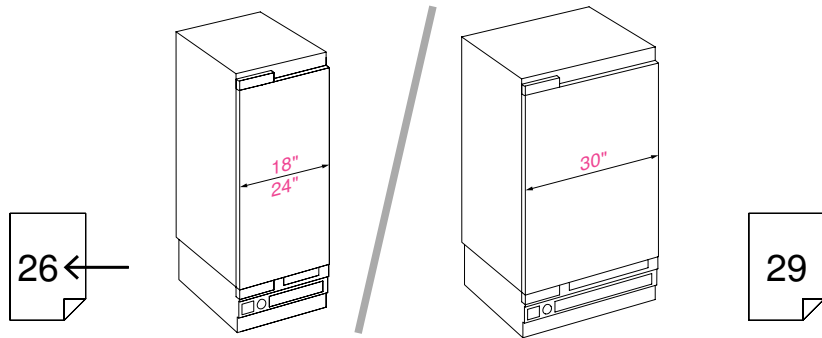
→ 29



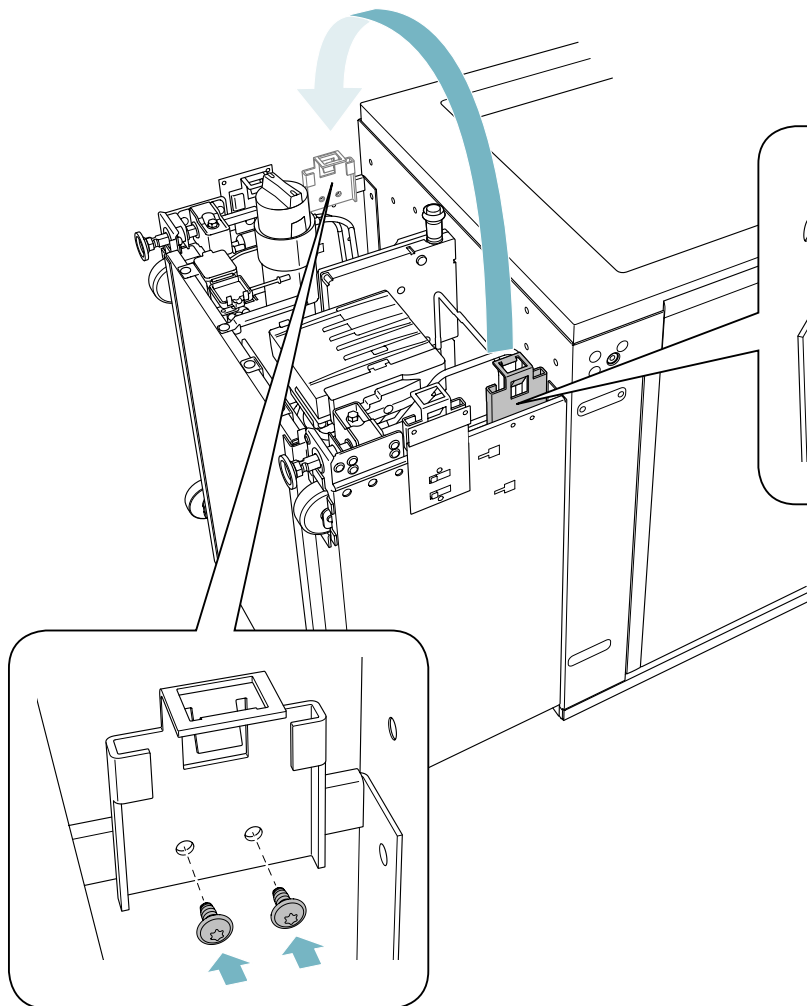
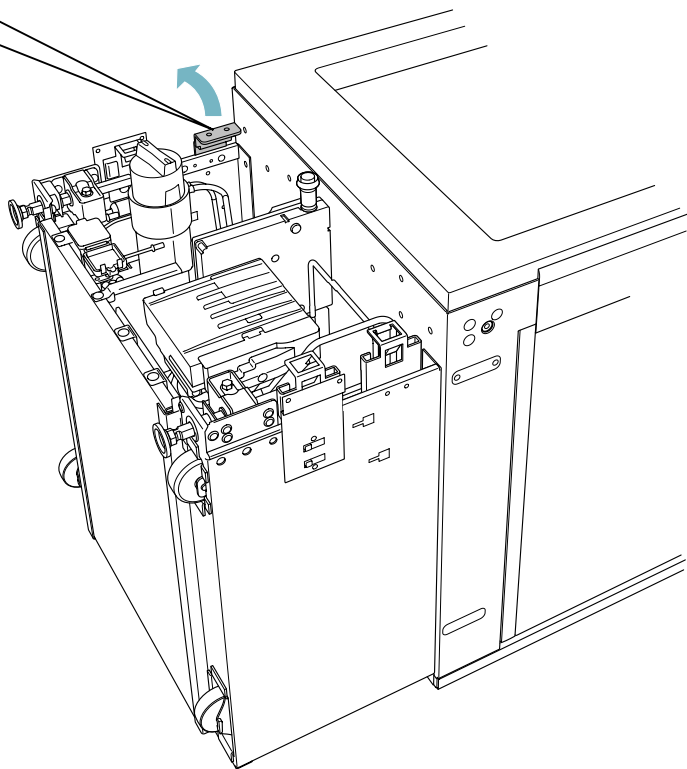
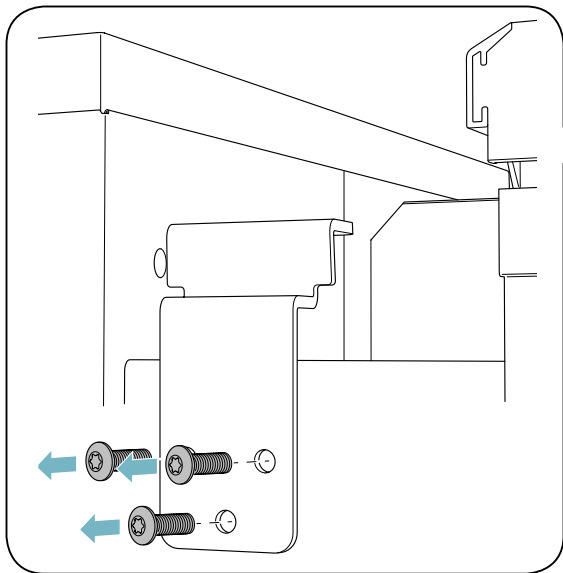


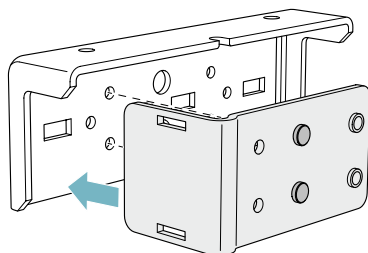
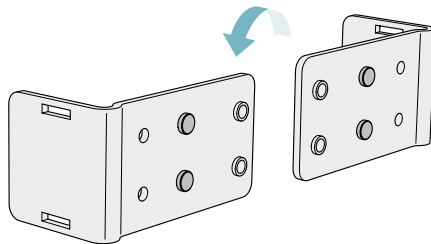
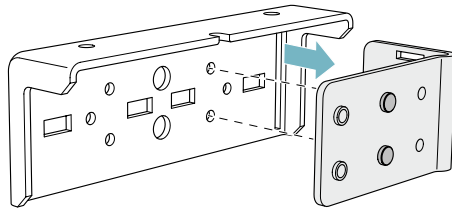
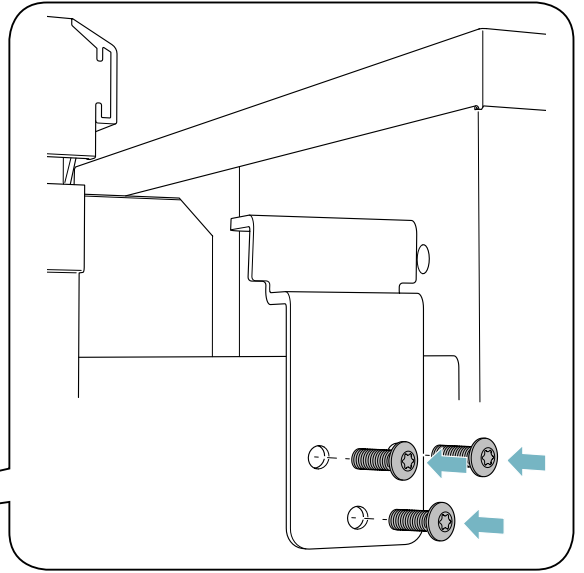
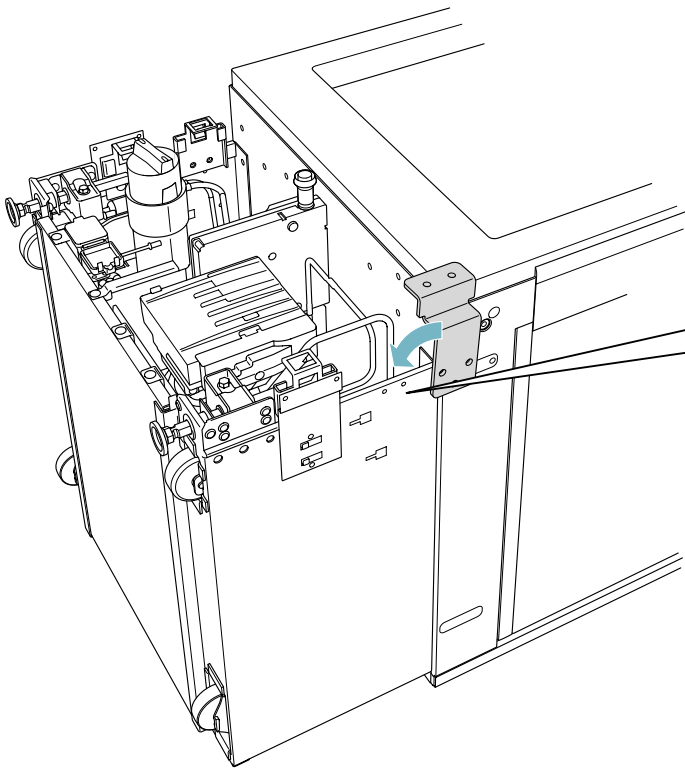
A
B
C
D



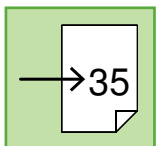
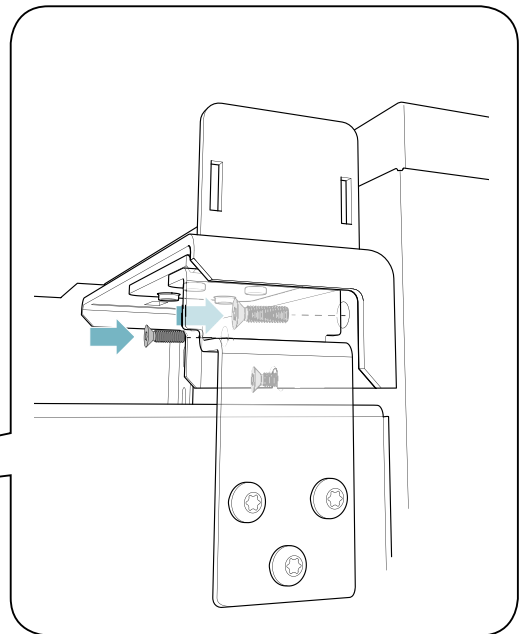
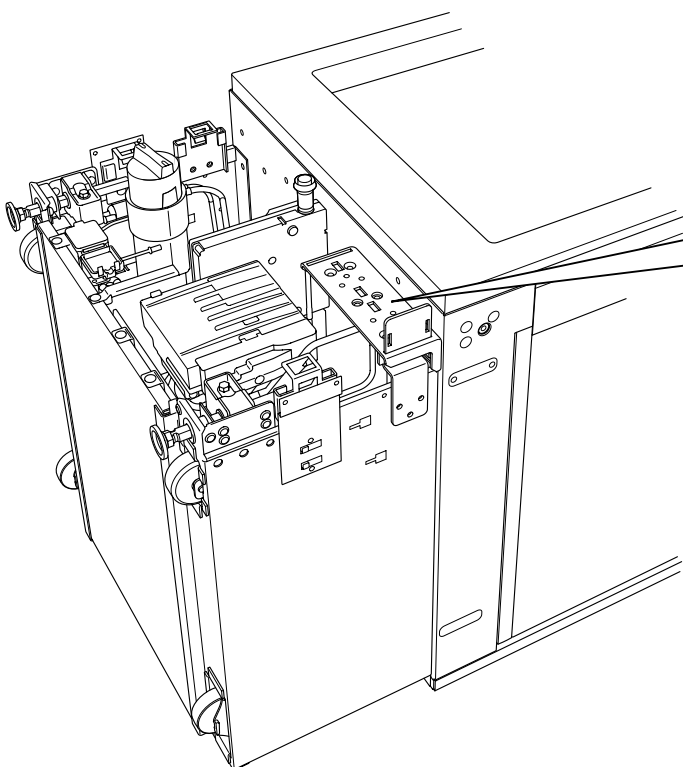
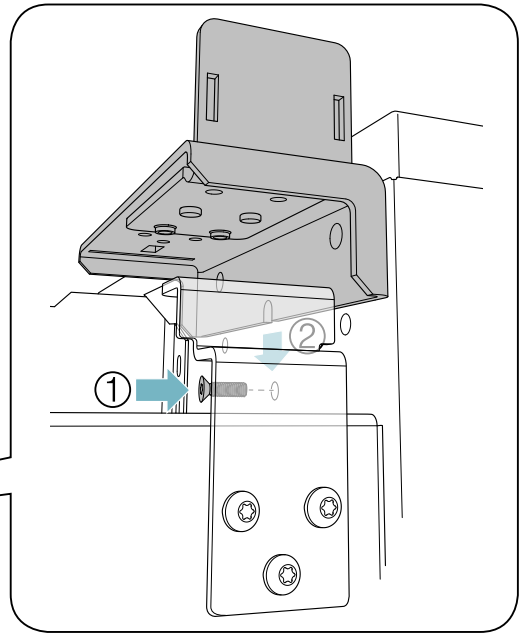
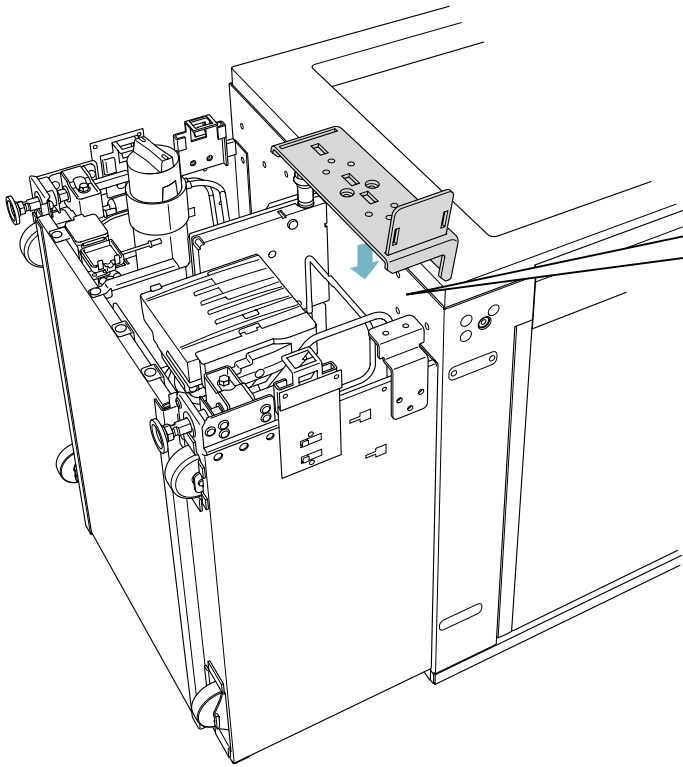


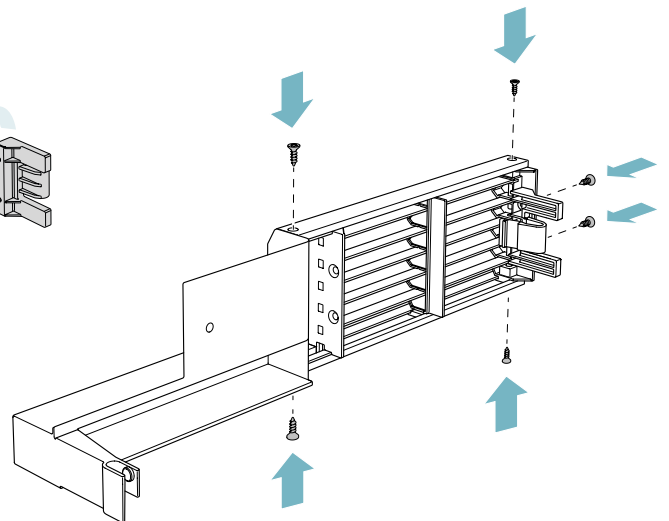
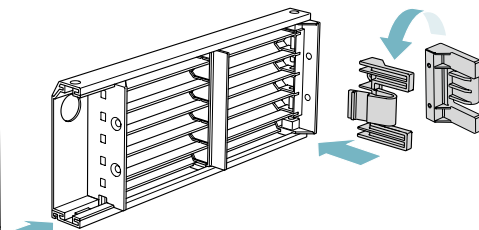
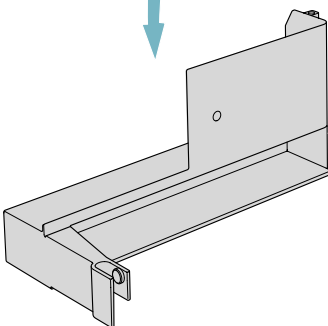
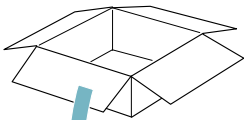
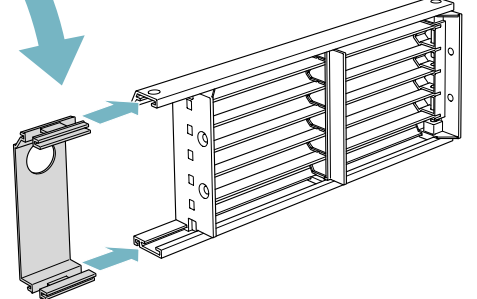
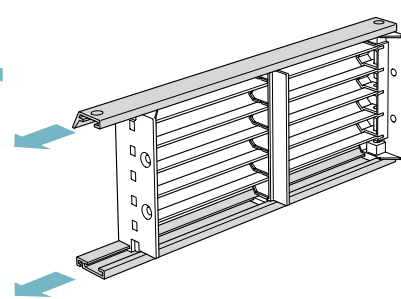
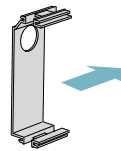
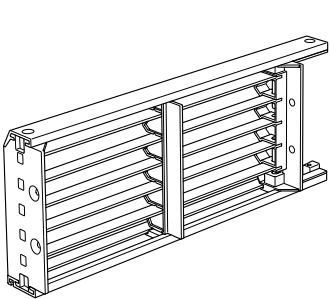
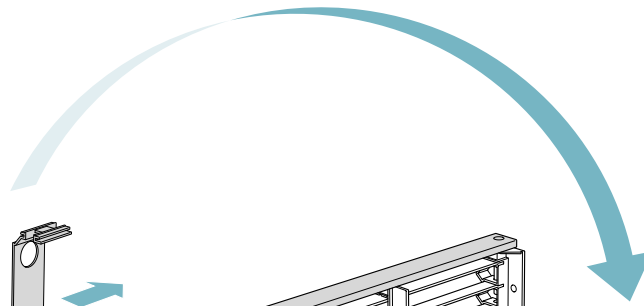
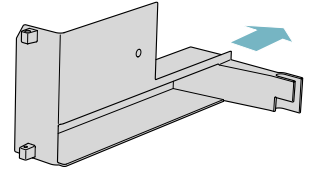
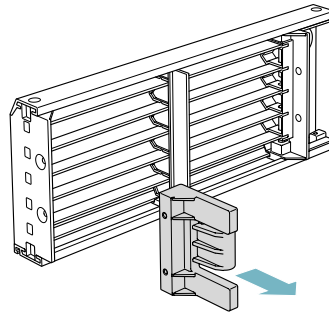
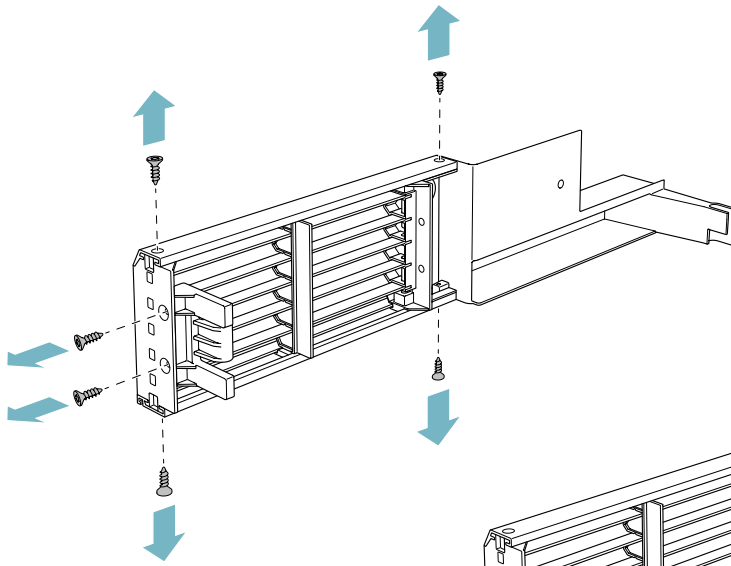
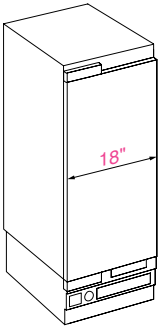
A
B
C
D



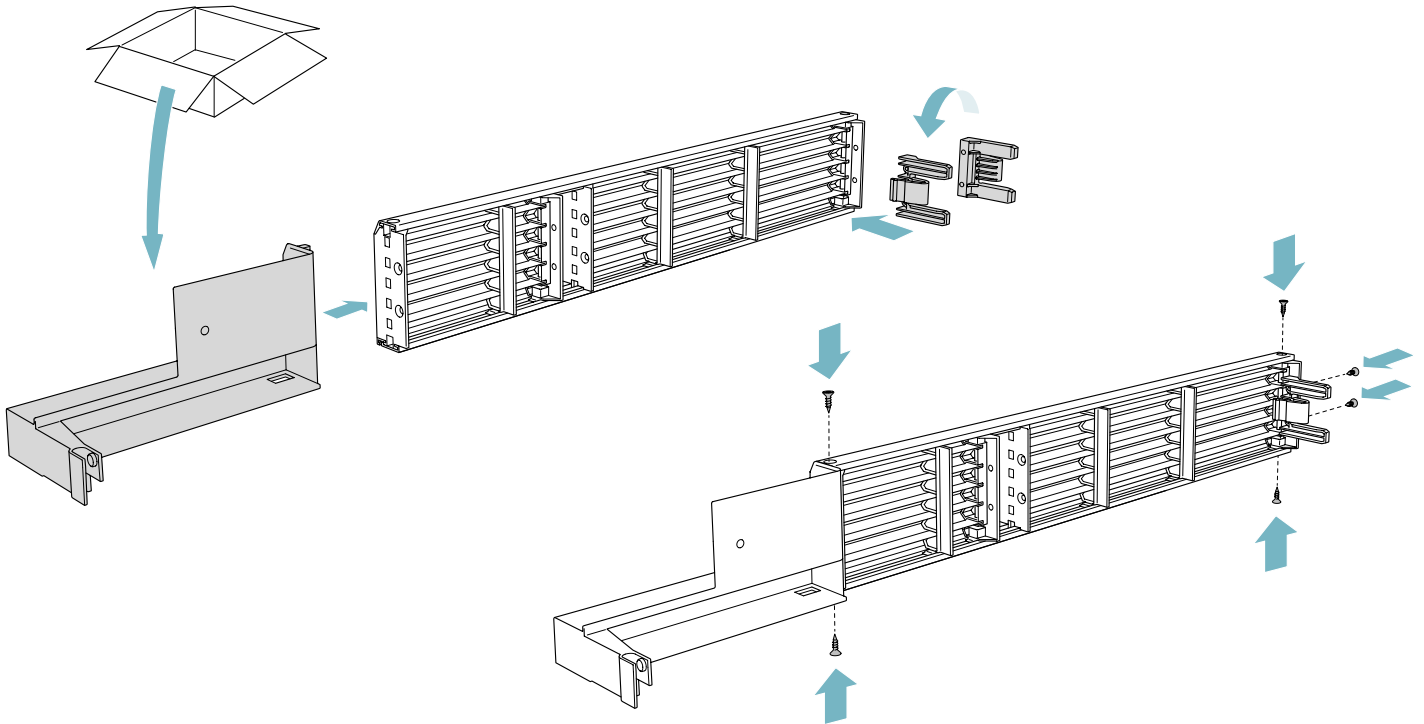
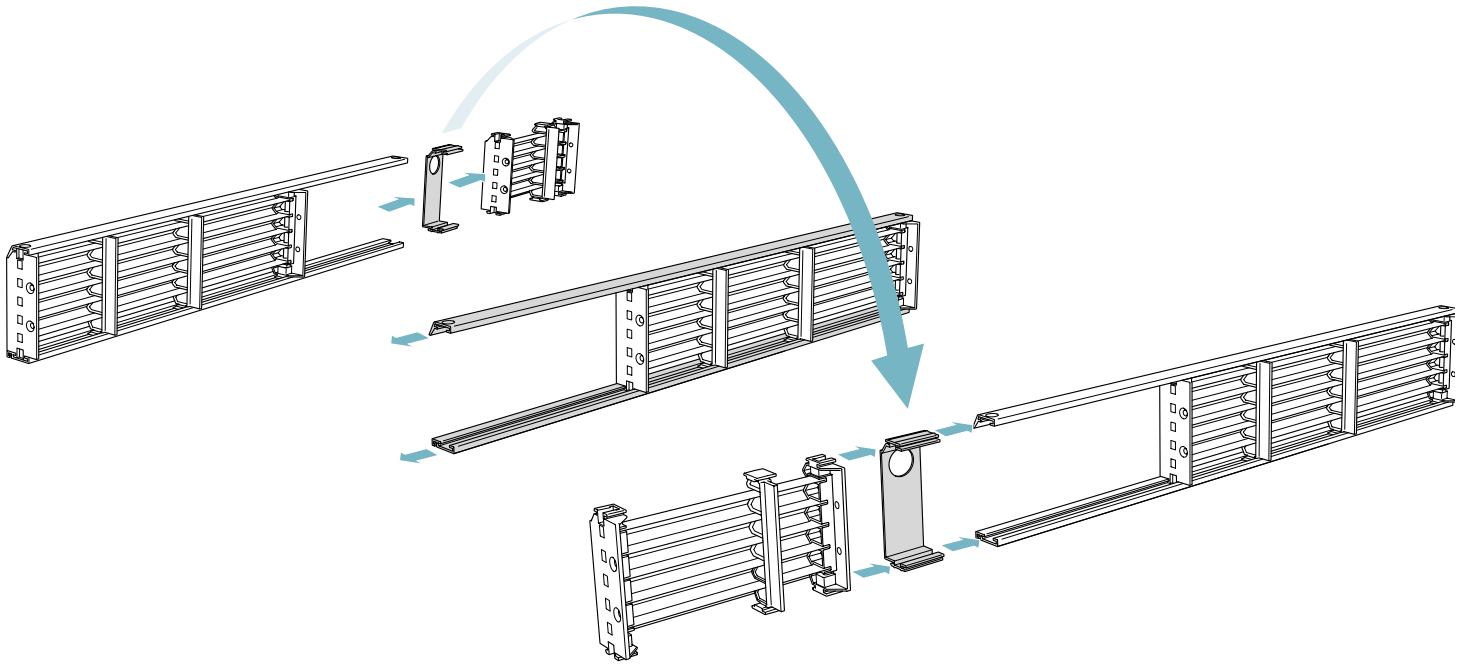
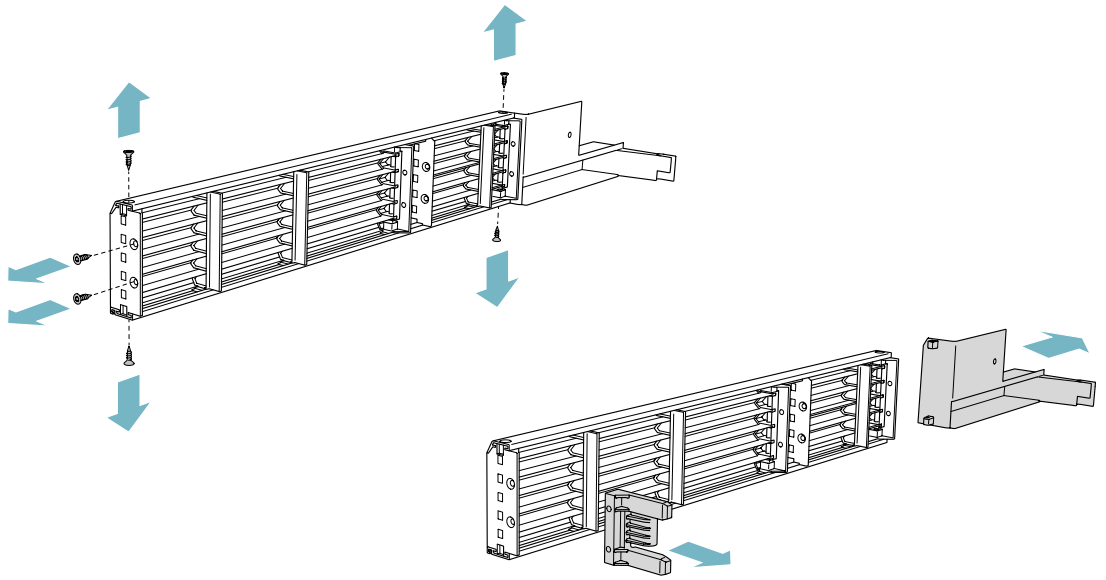
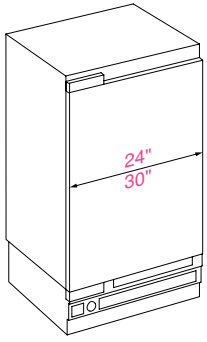


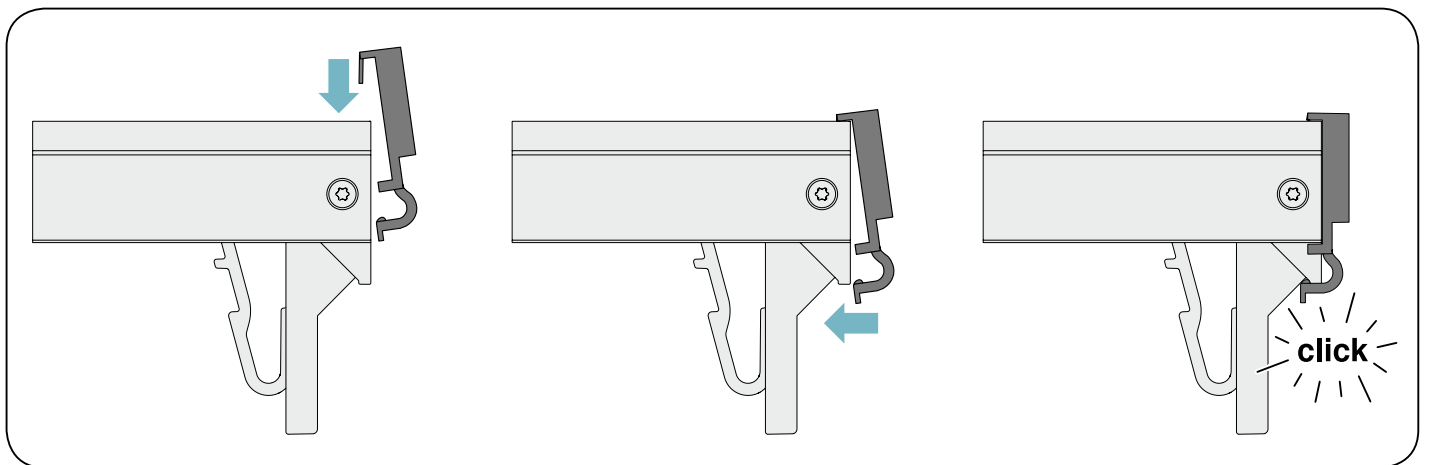
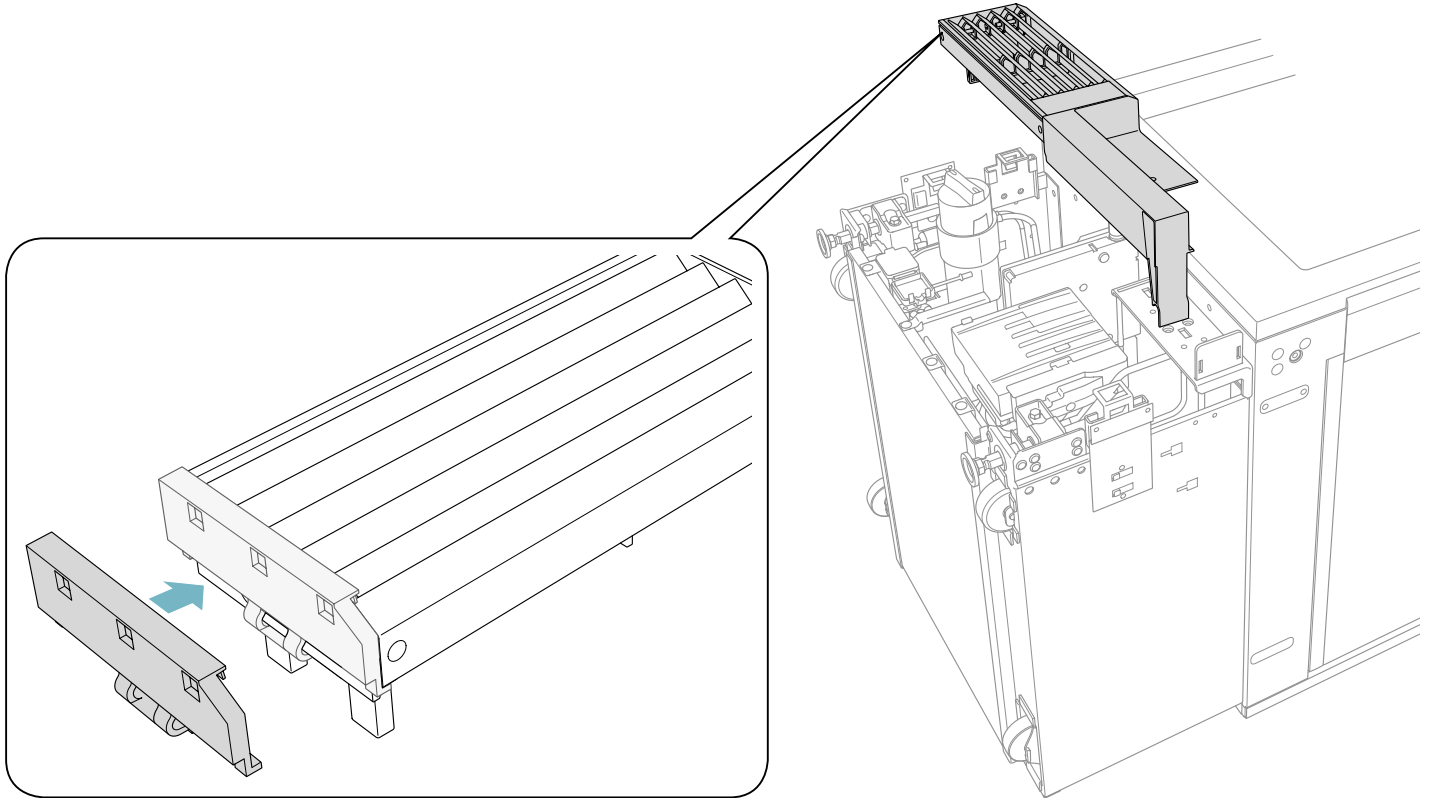
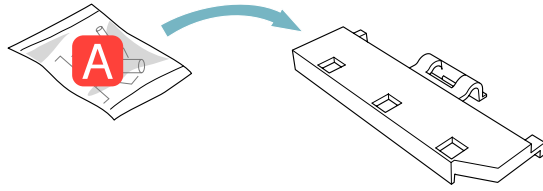
- A
- B
- C
- D



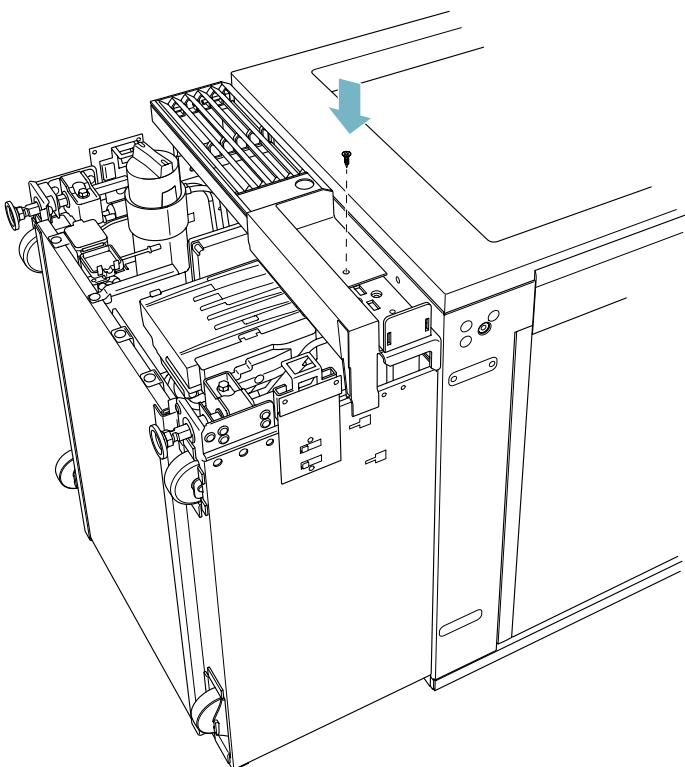
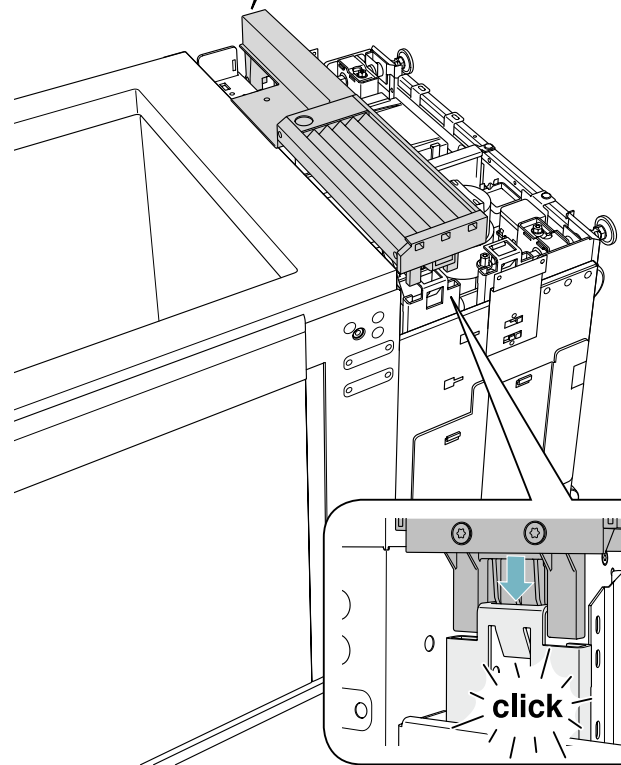
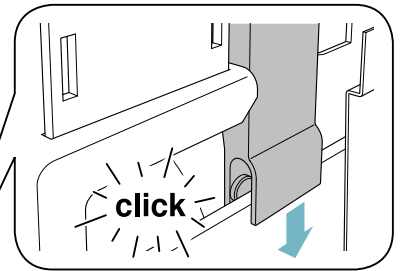
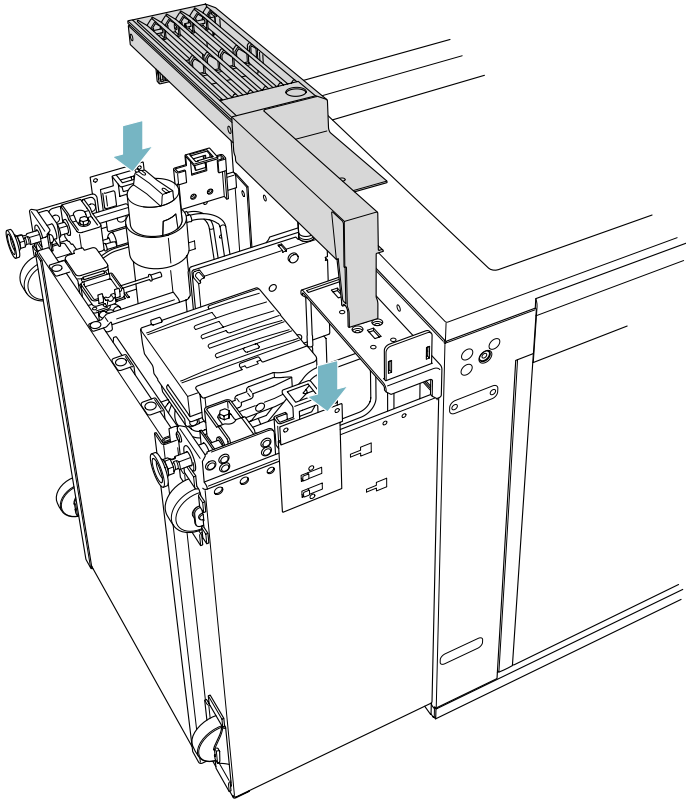


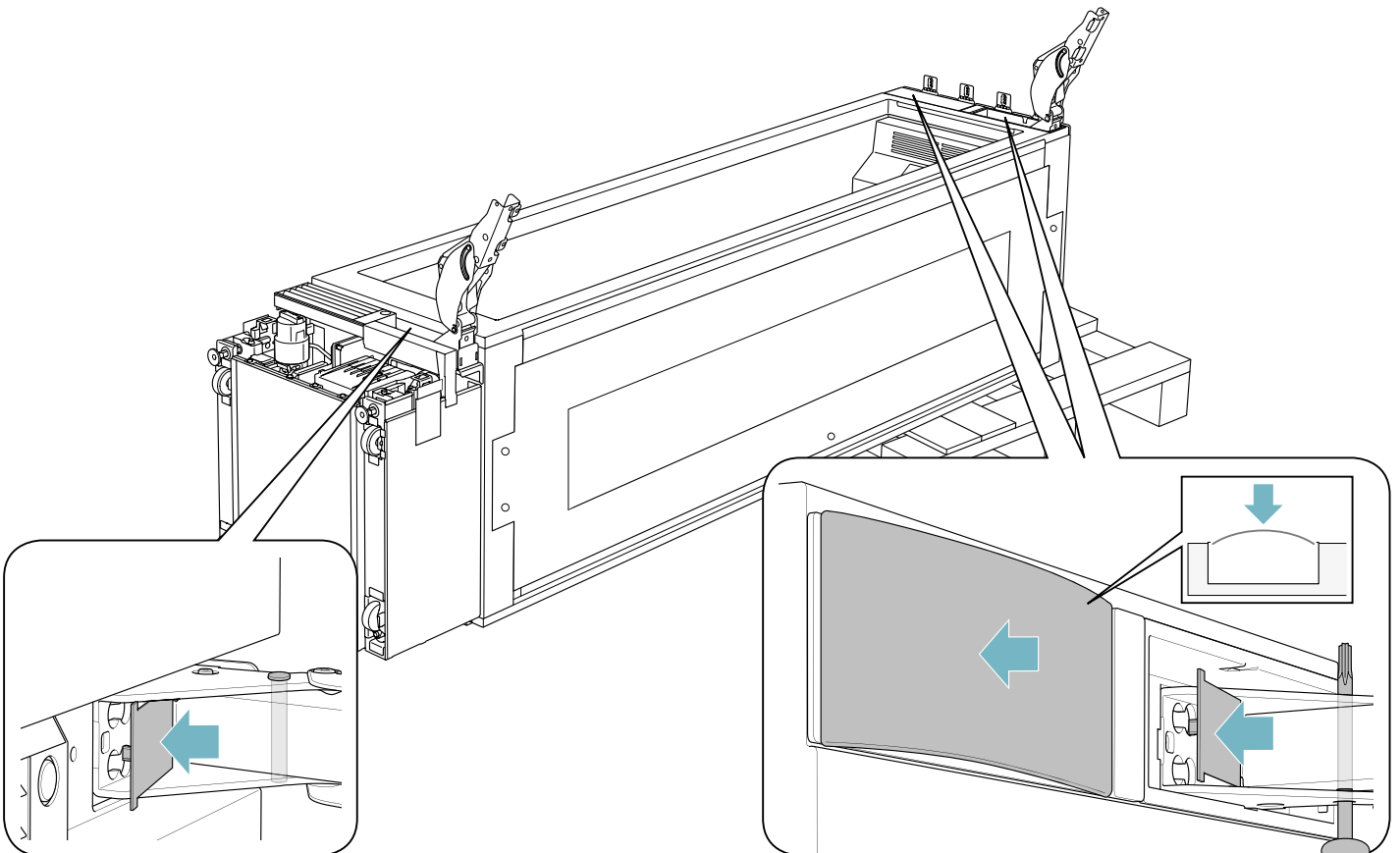
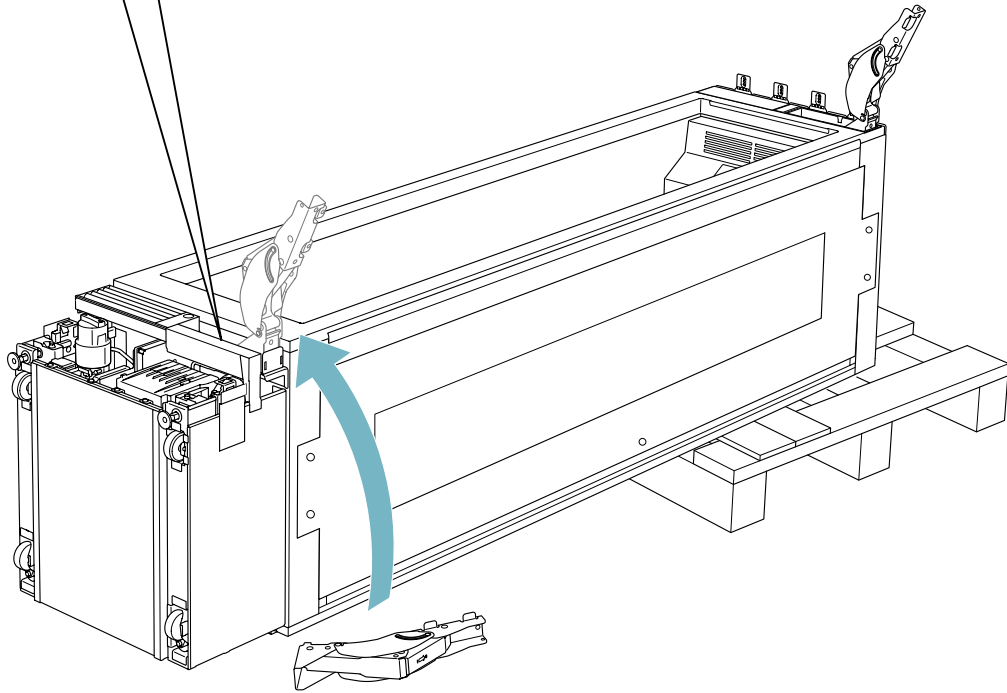
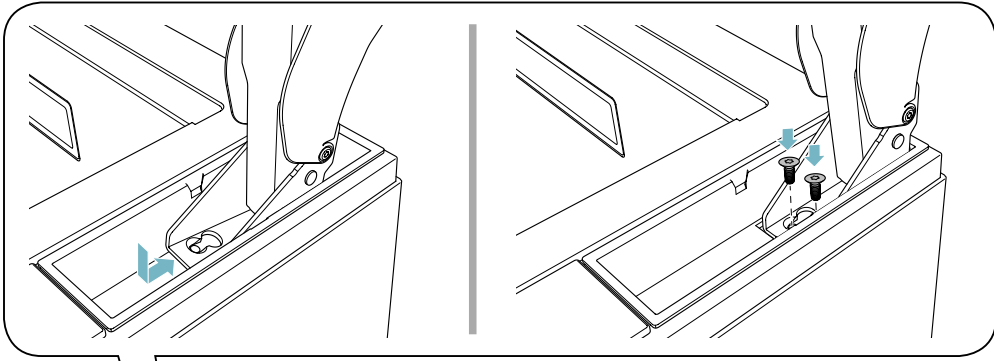
A
B
C
D



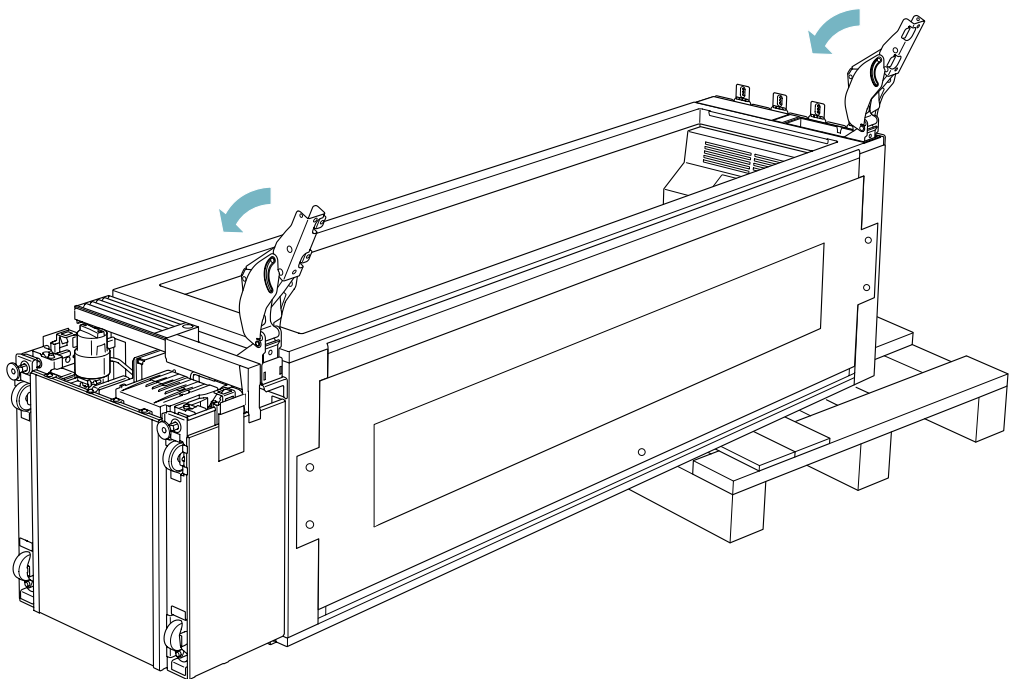
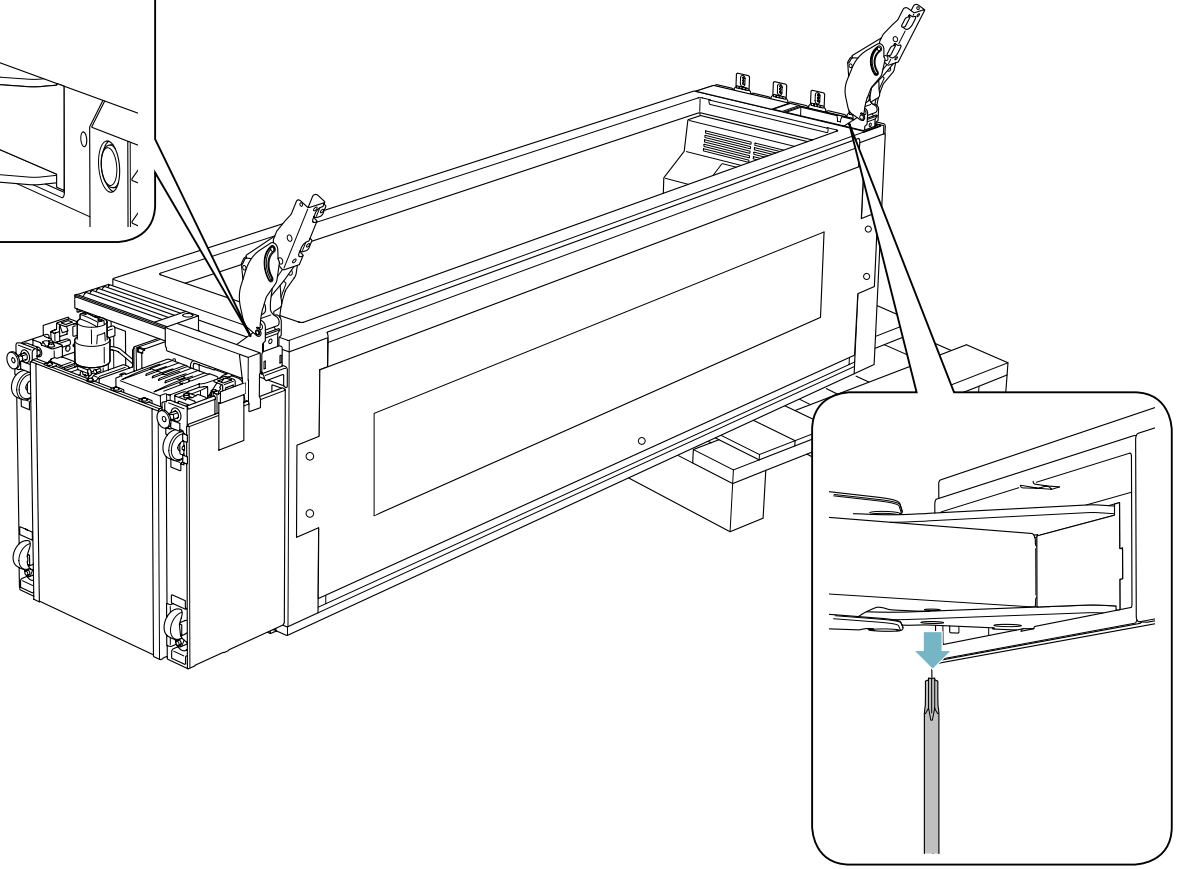
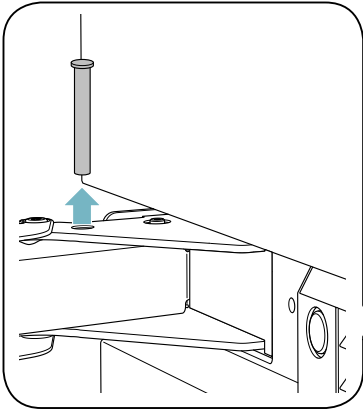


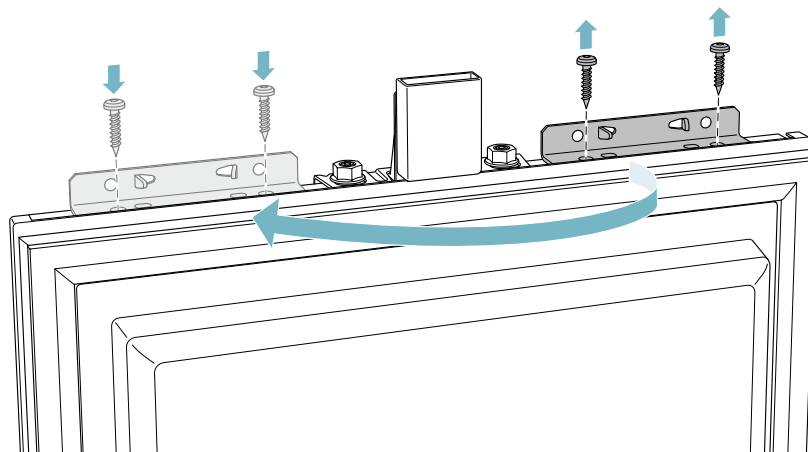
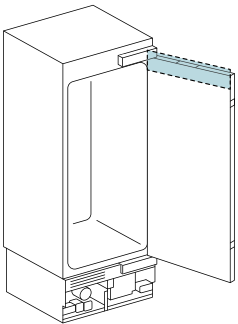
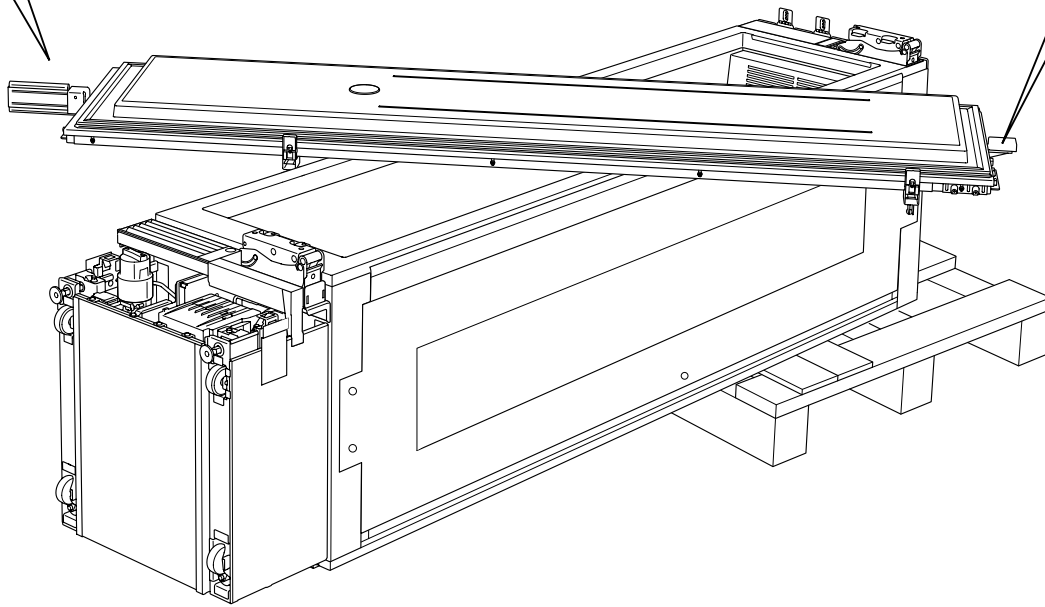
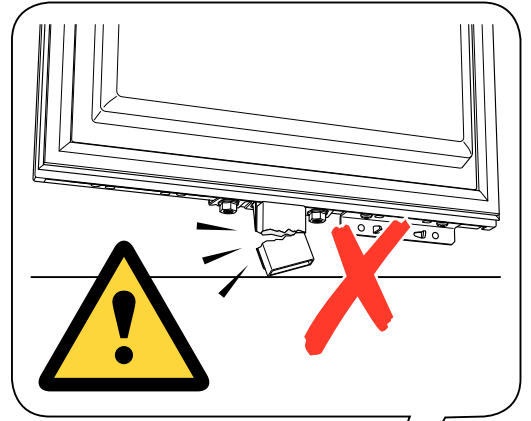
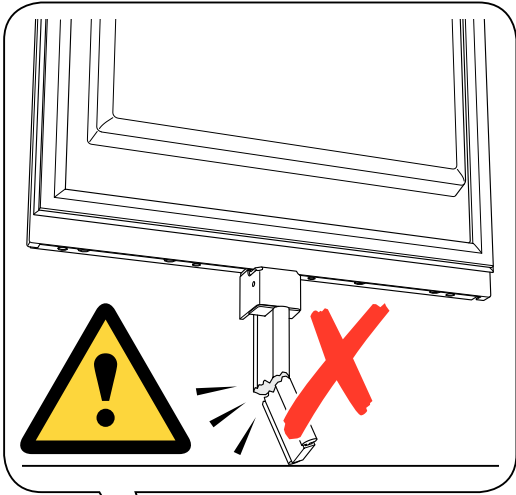
A
B
C
D



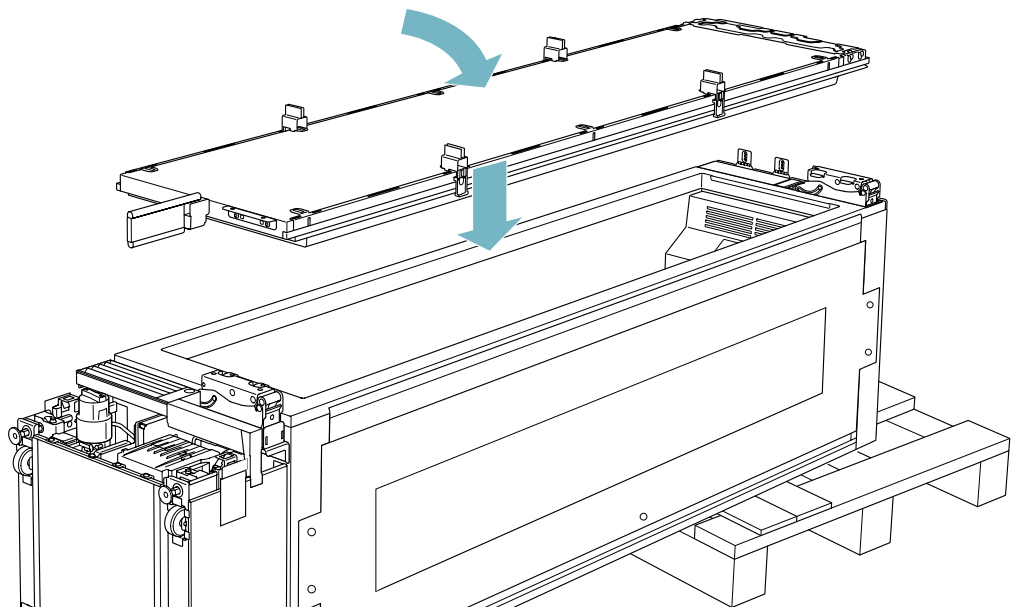
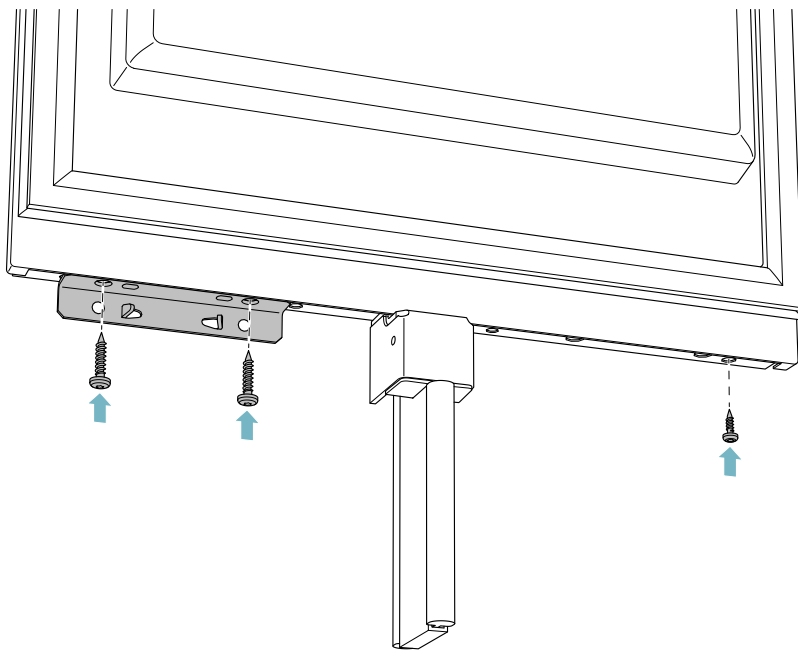
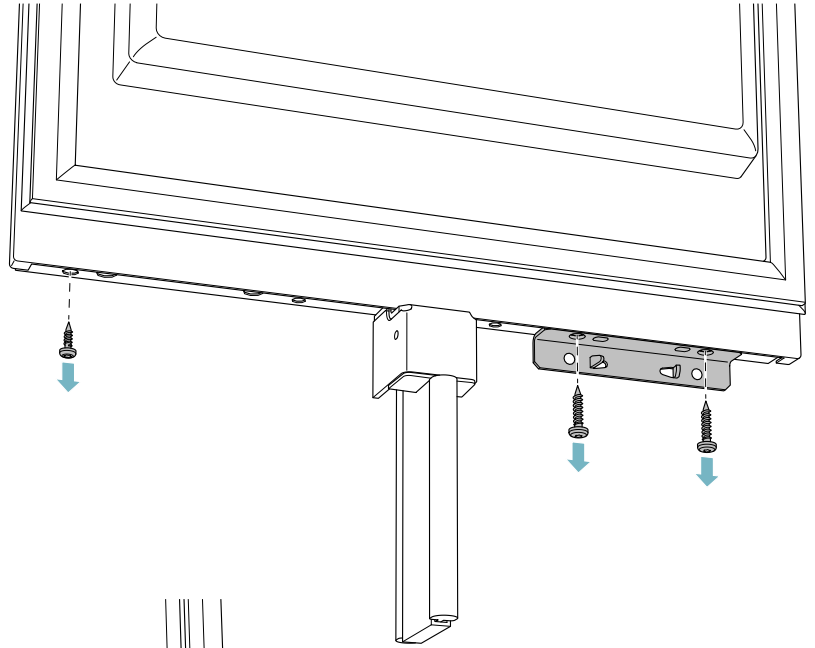
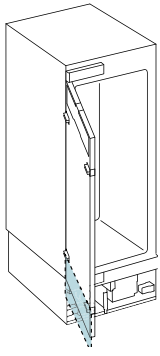


- A
- B
- C
- D



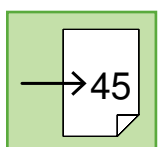
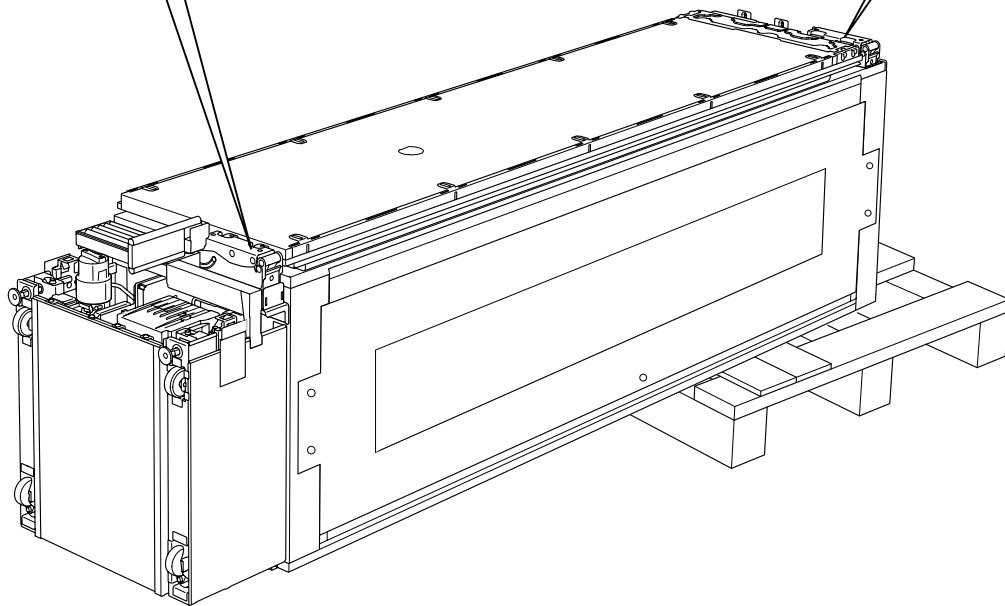
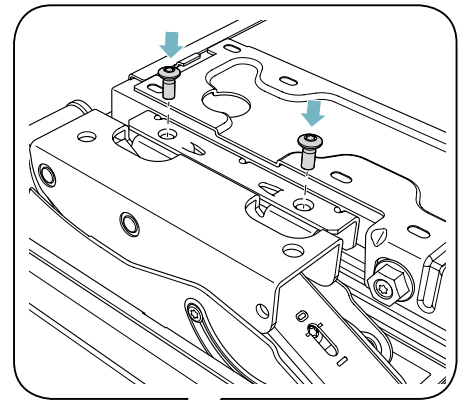
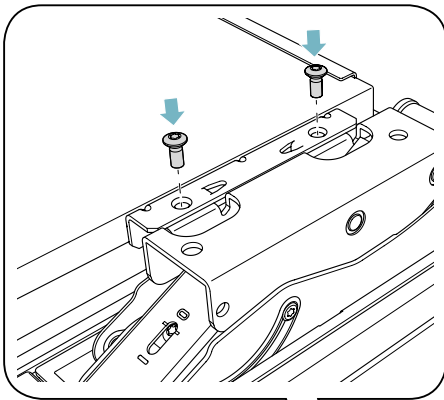


A
B
C
D



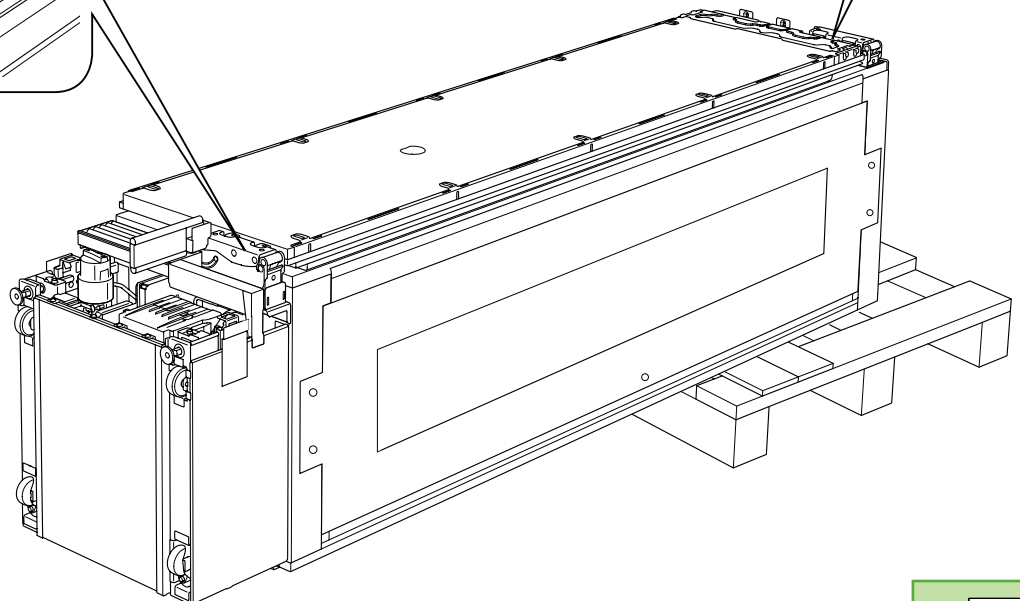
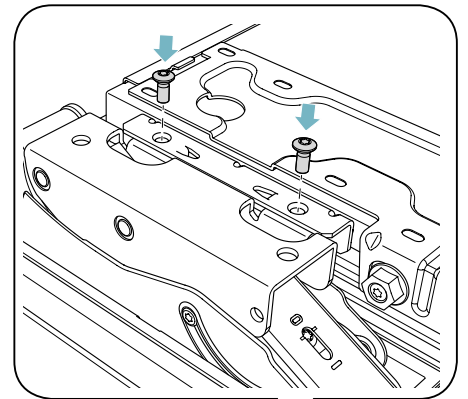
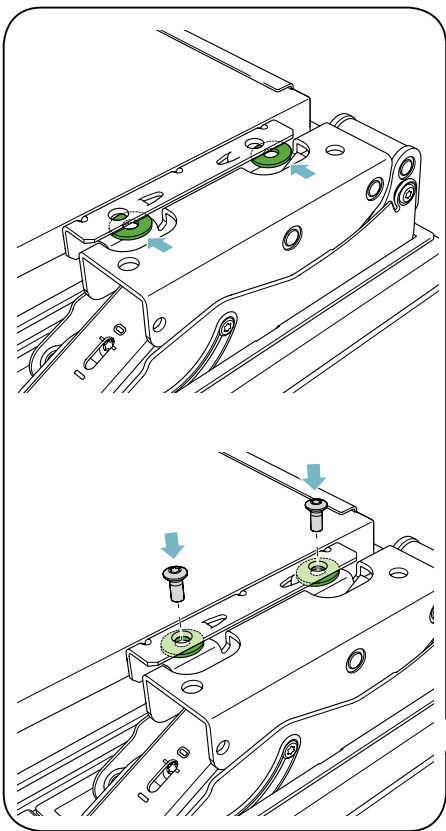
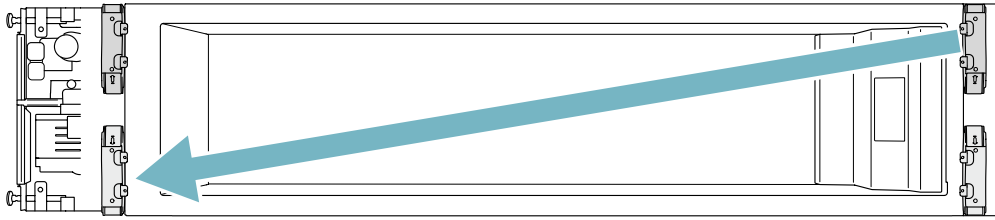
A

A
B
C
D

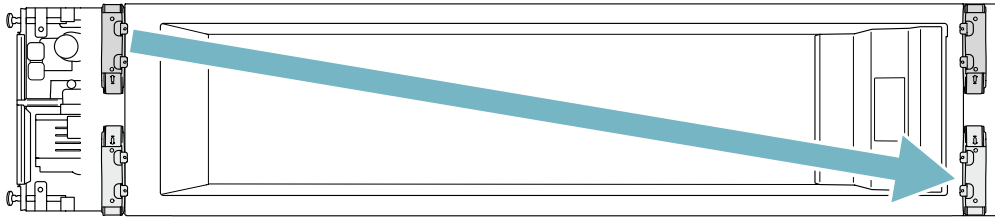


A
B
C
D

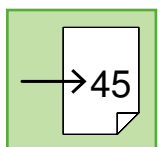
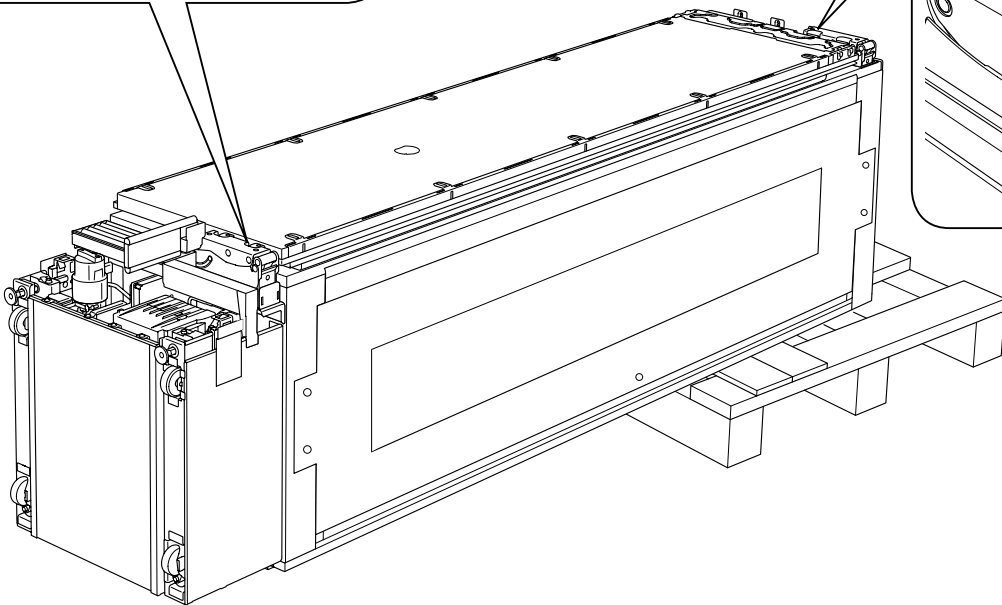
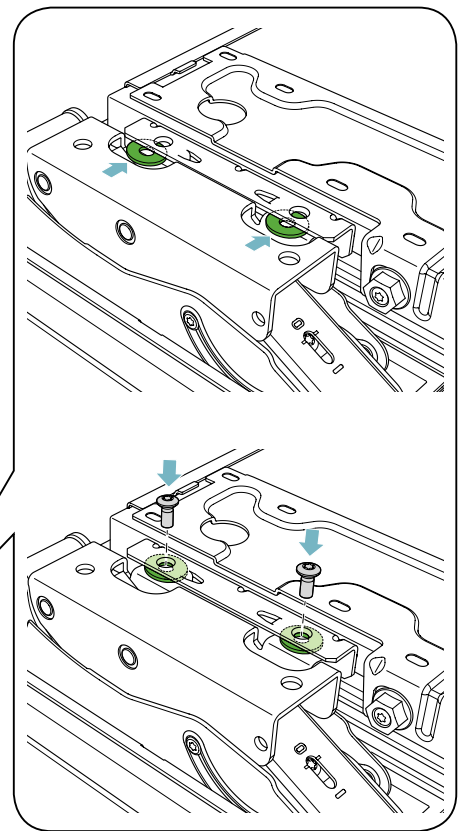
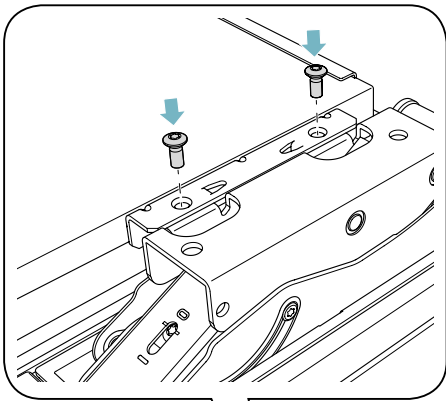
(B)
○ ○



→ 45

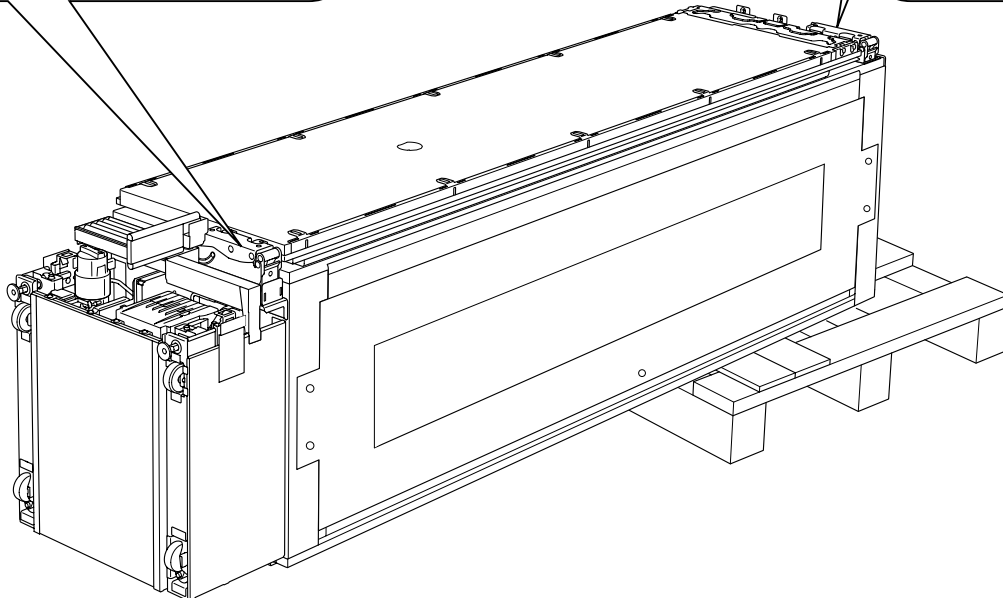
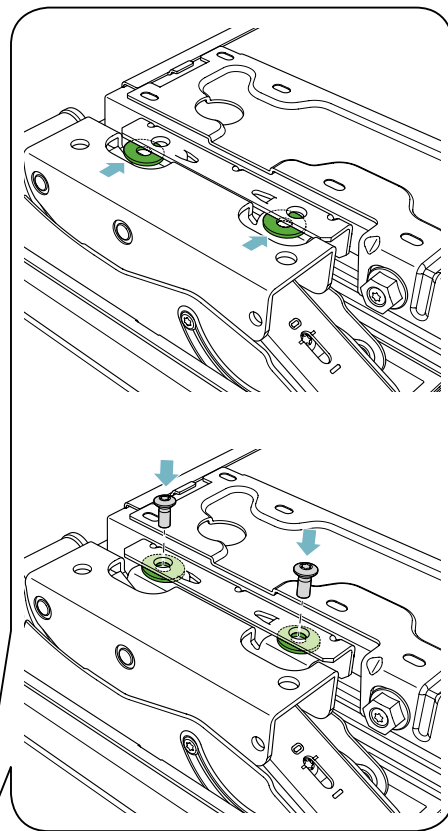
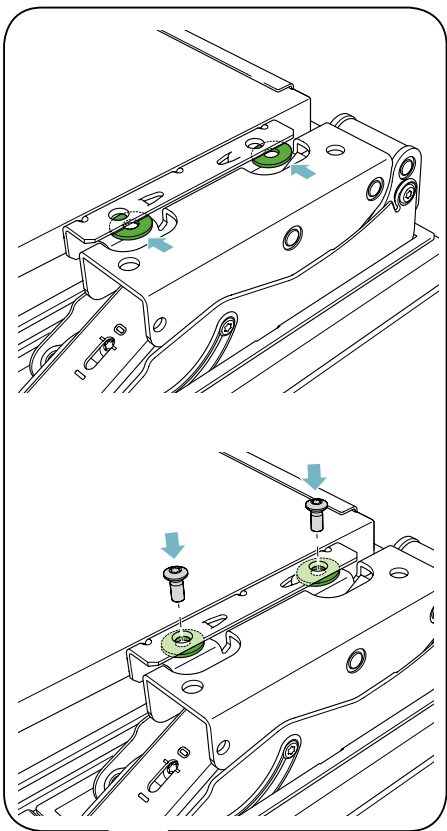
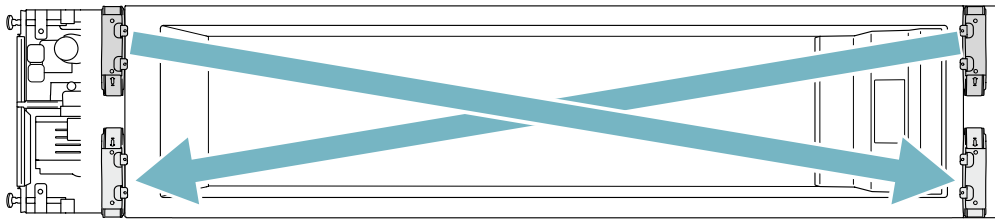


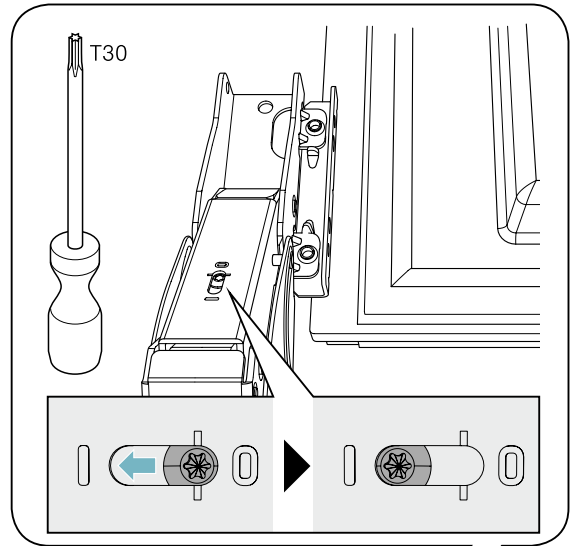
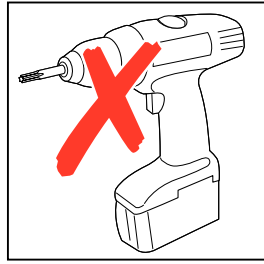
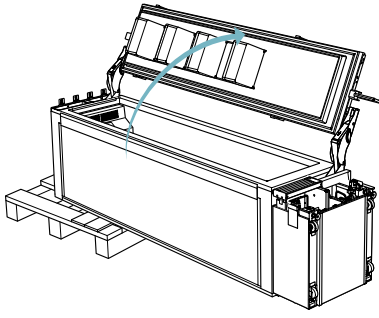
- A
- B
- C
- D



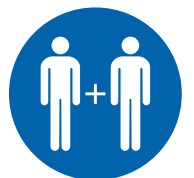
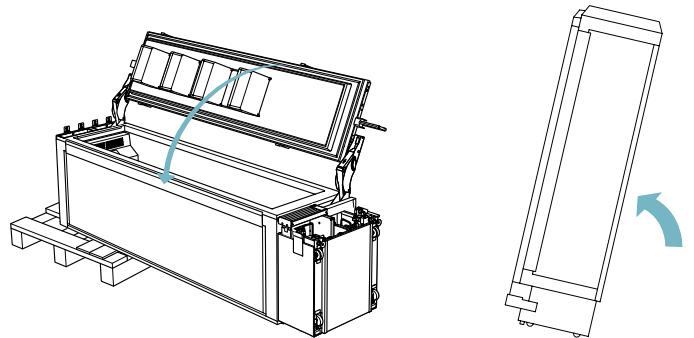
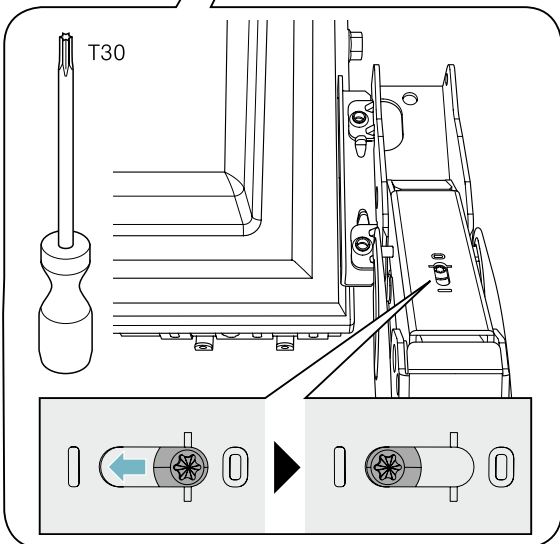
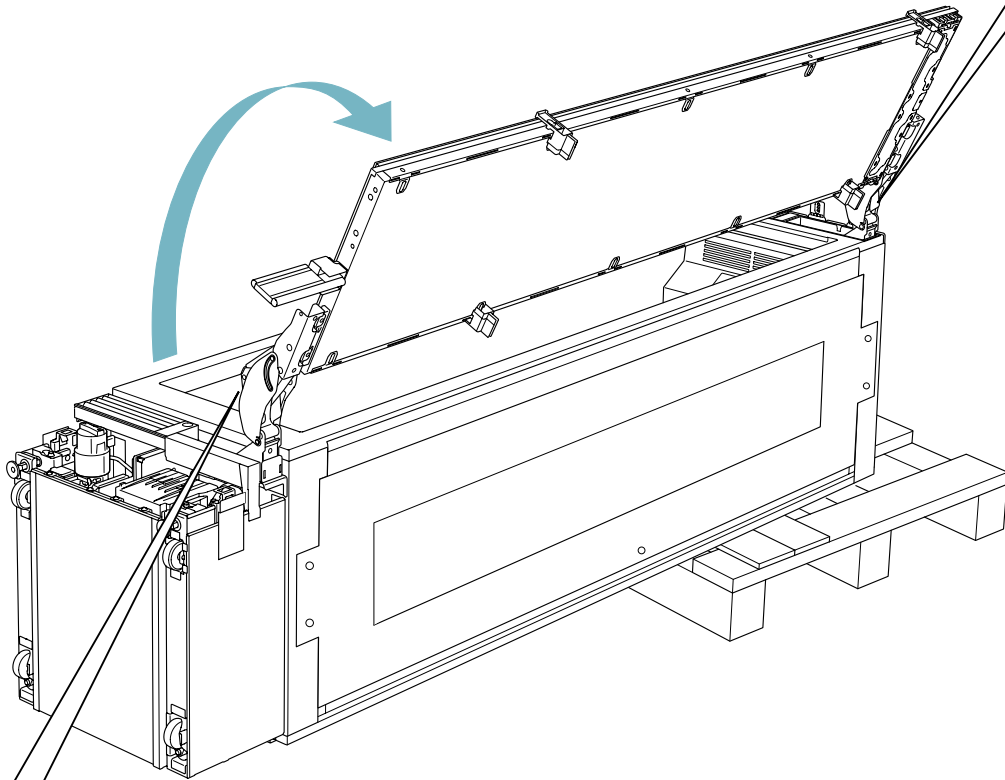
A
B
C
D

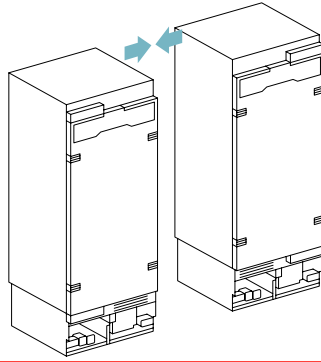
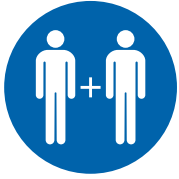
D



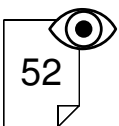
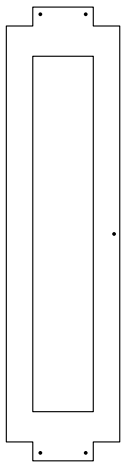
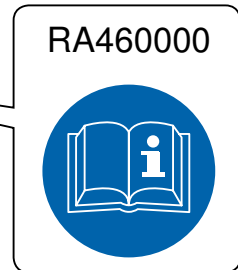
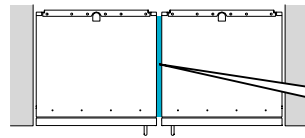
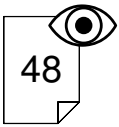
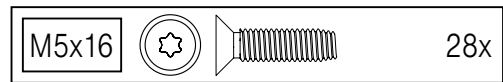
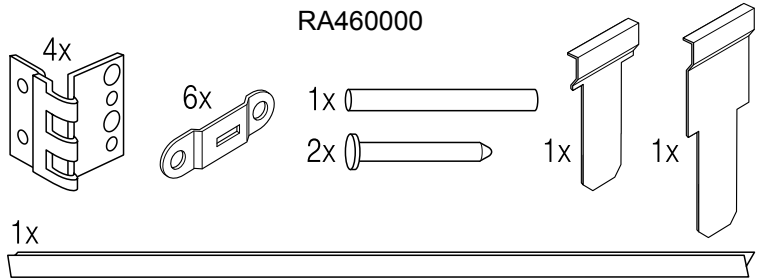
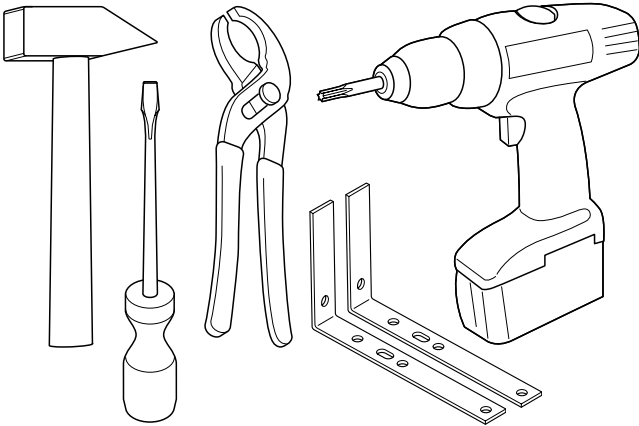


A
B
C
D

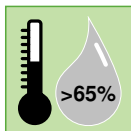
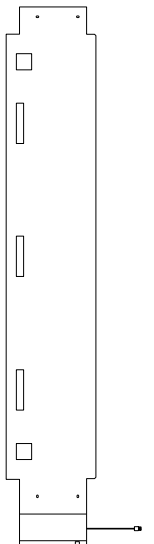
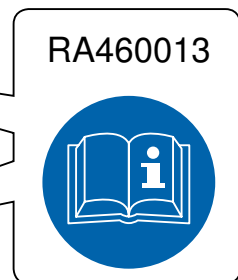
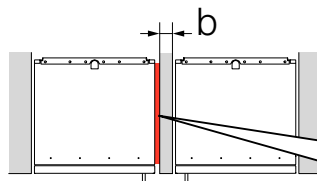




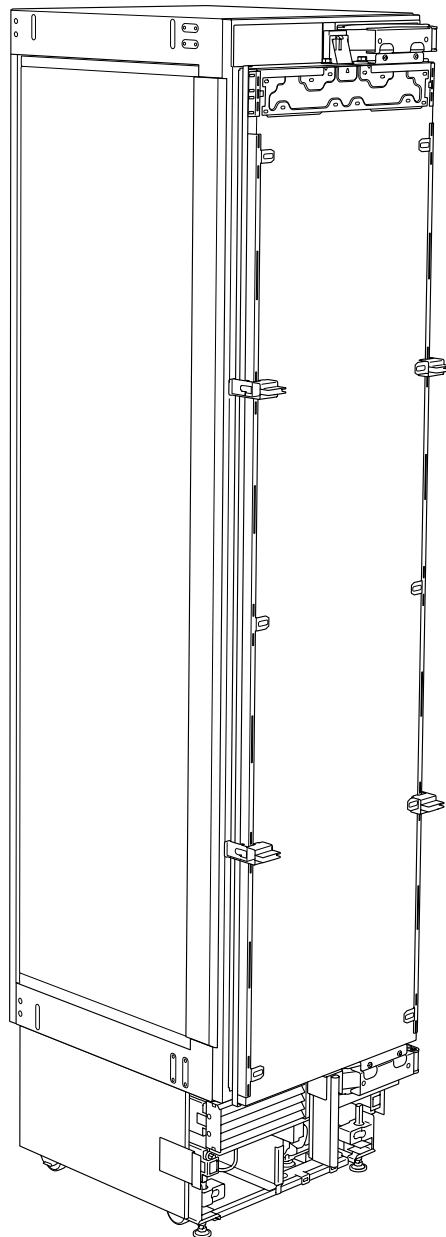
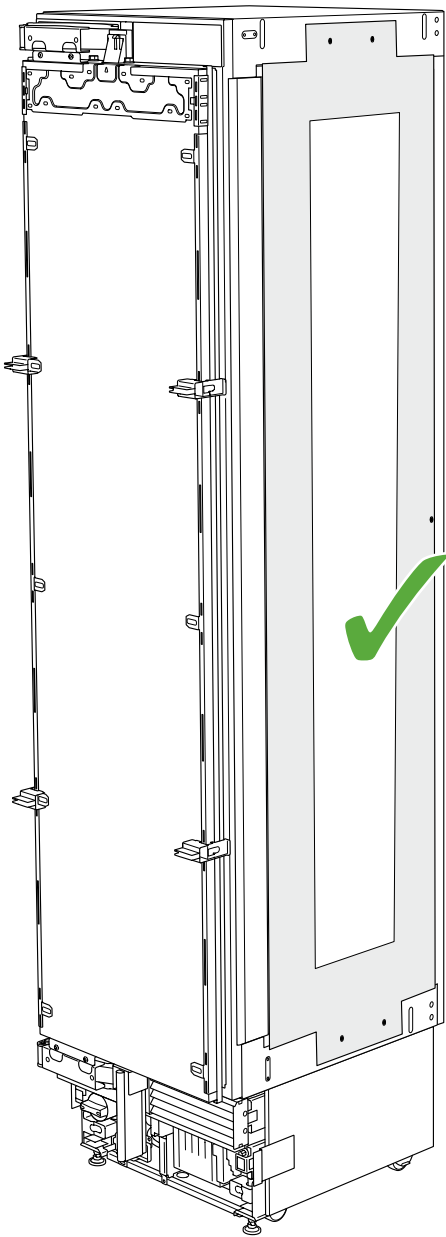
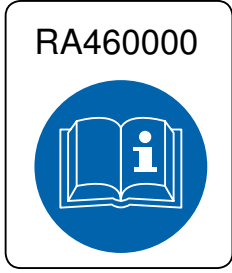
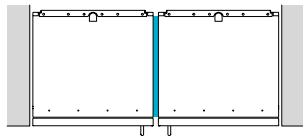
A
B
C
D





$\frac{5}{8}'' \leq b < 6\frac{1}{4}''$
(16 mm \leq b < 160 mm)

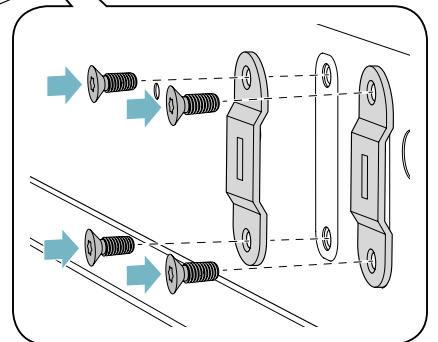
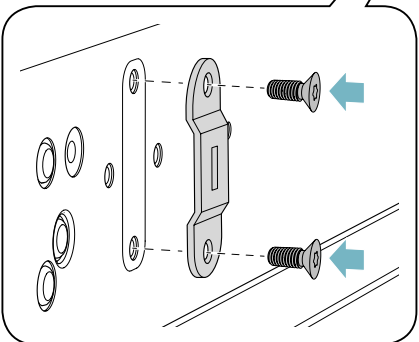
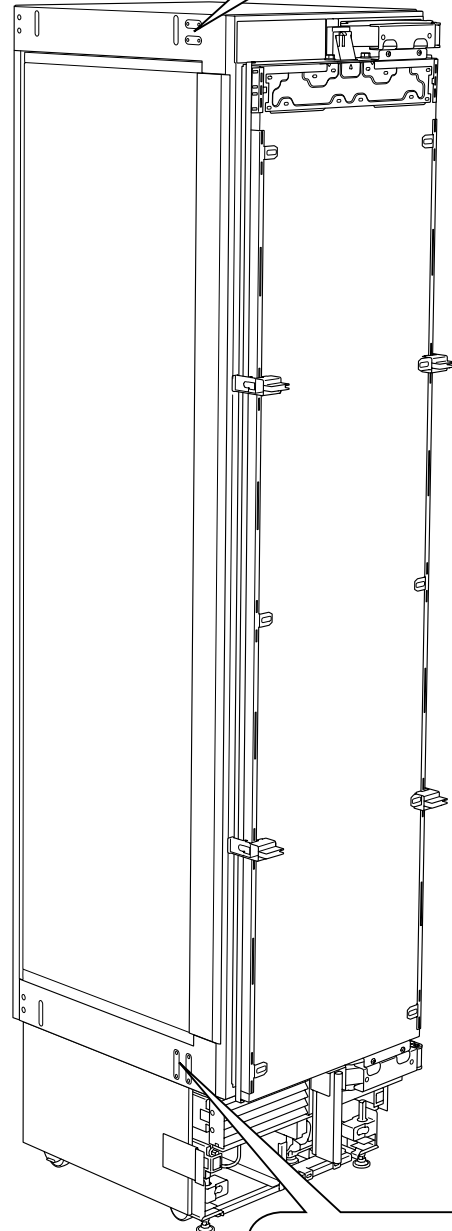
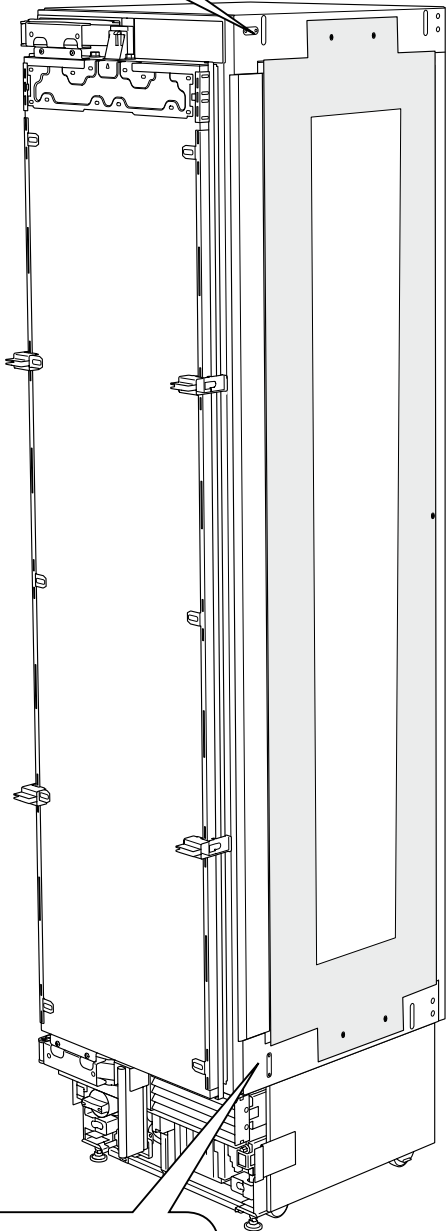
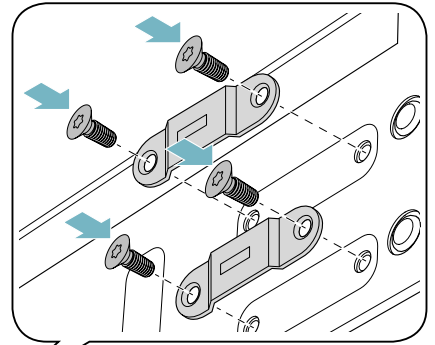
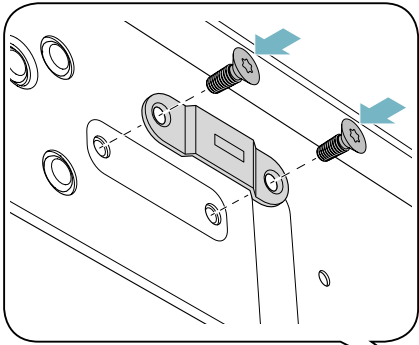


A
B
C
D



M5x16   12x

A
B
C
D





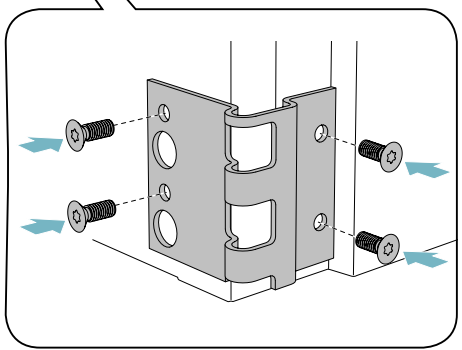
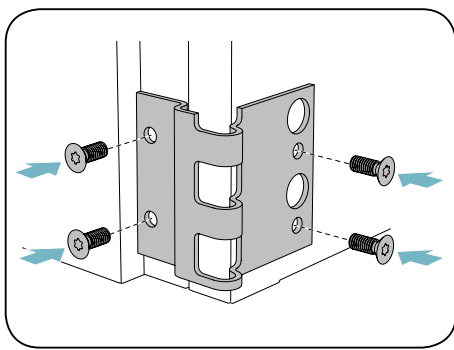
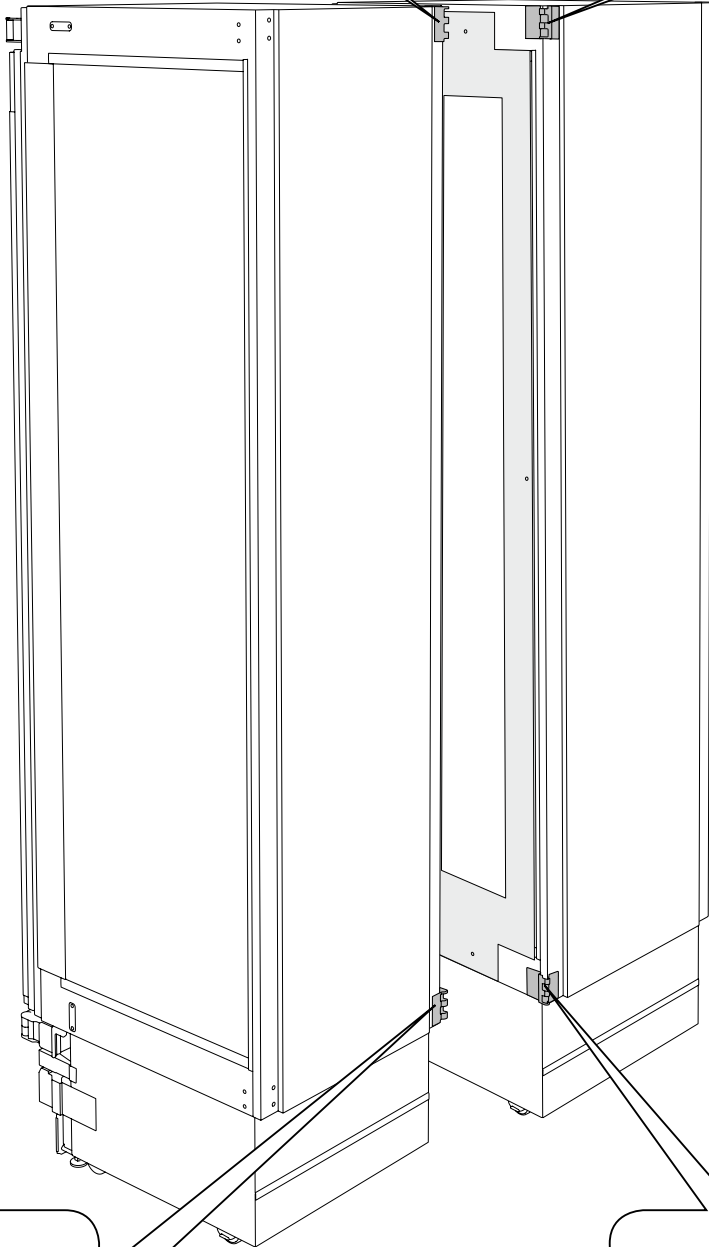
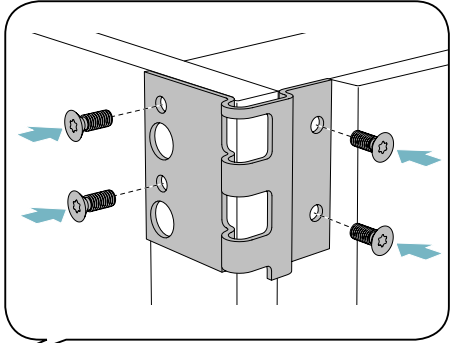
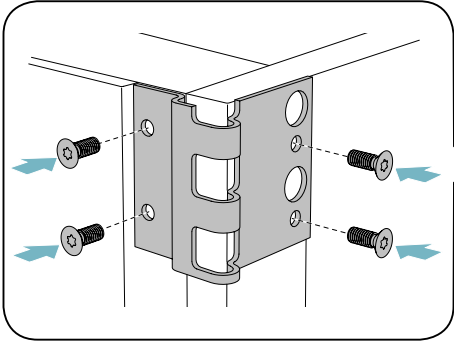
A

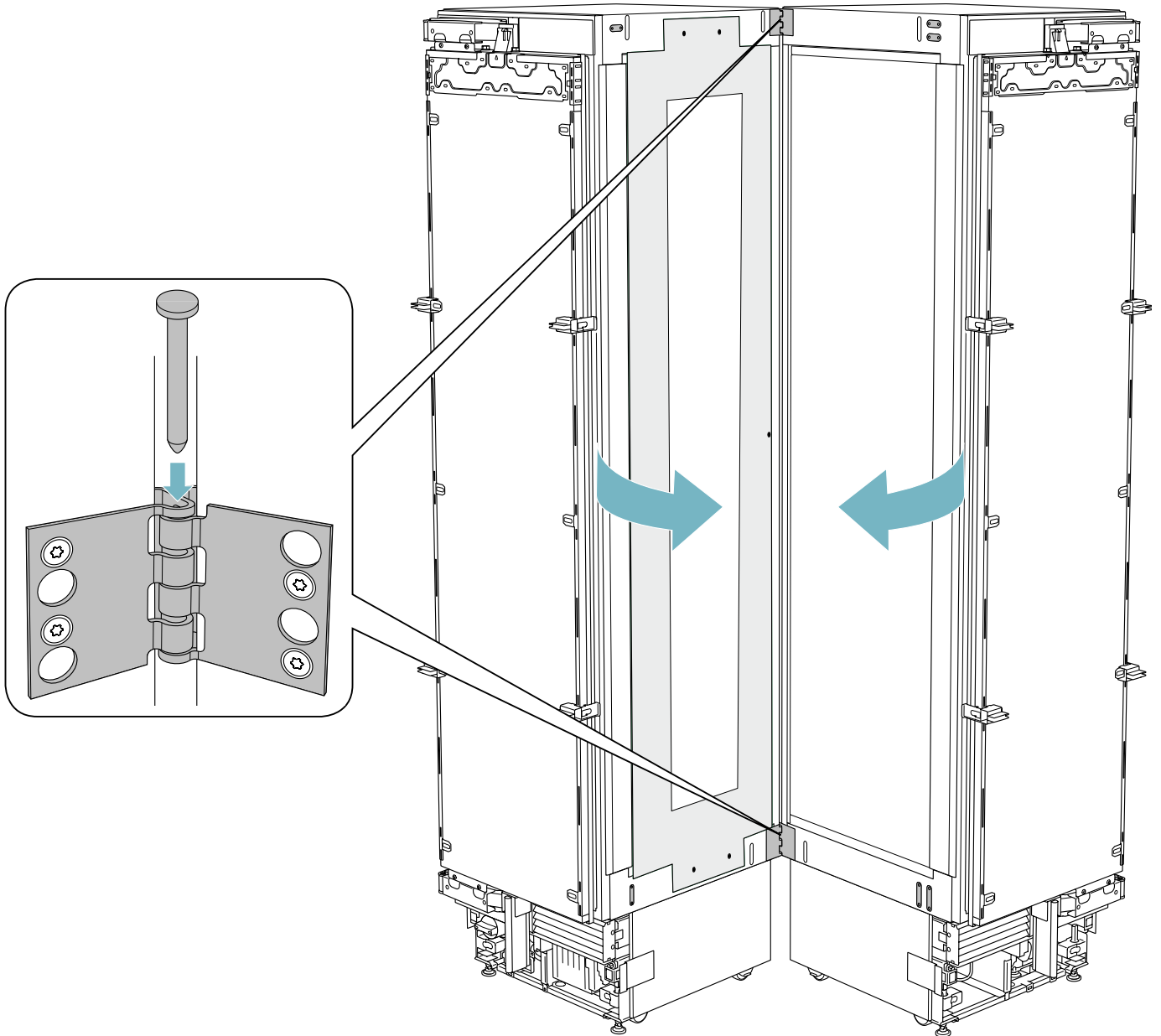
B

C

D

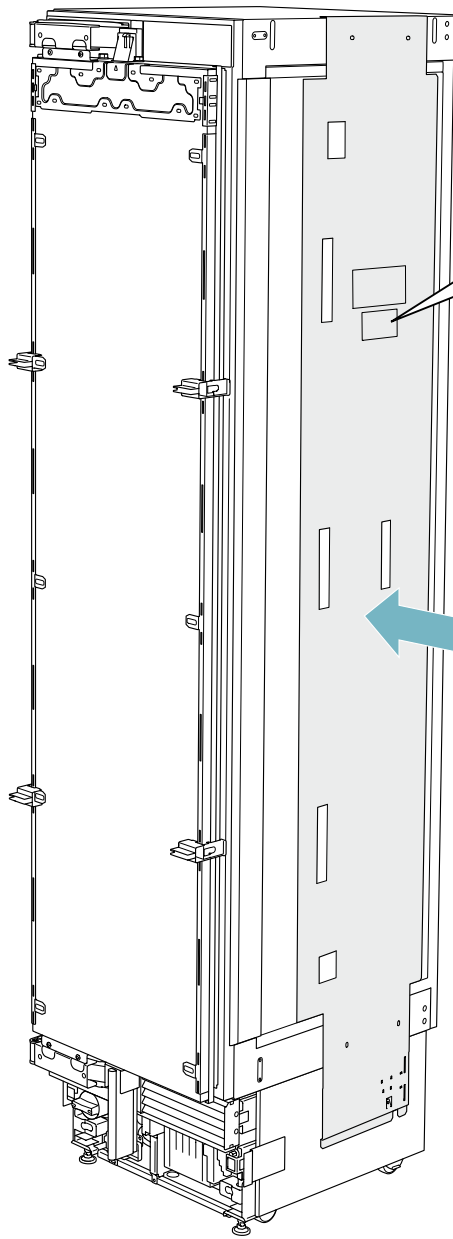
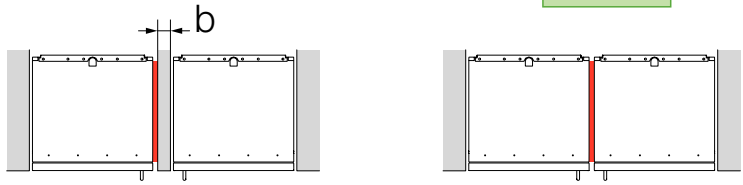
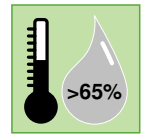
M5x16   16x



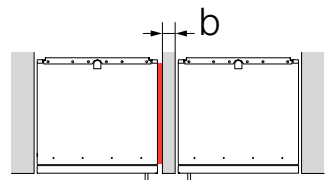


A
B
C
D



$\frac{5}{8}'' \leq b < 6\frac{1}{4}''$
(16 mm \leq b < 160 mm)



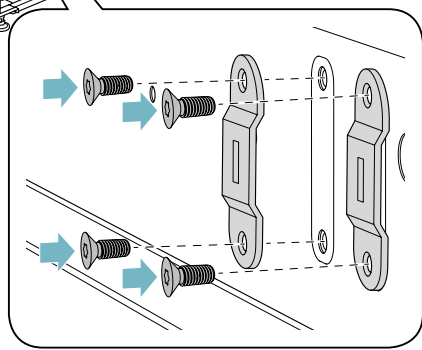
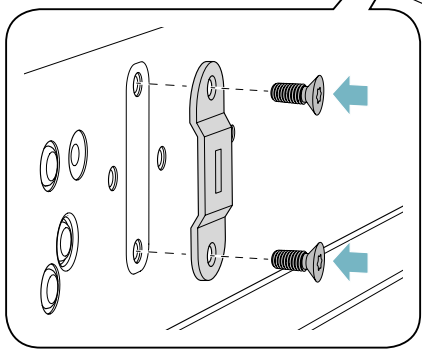
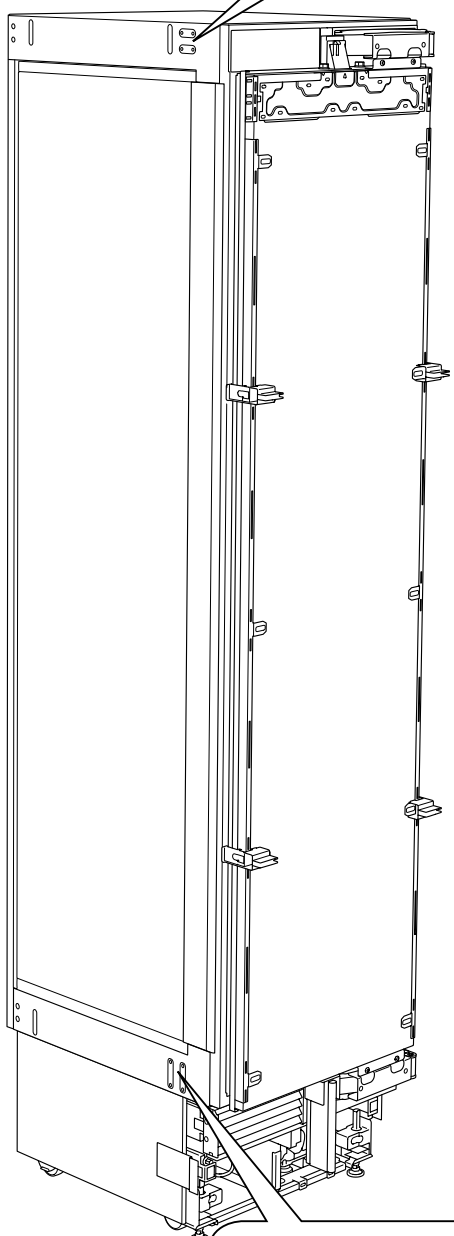
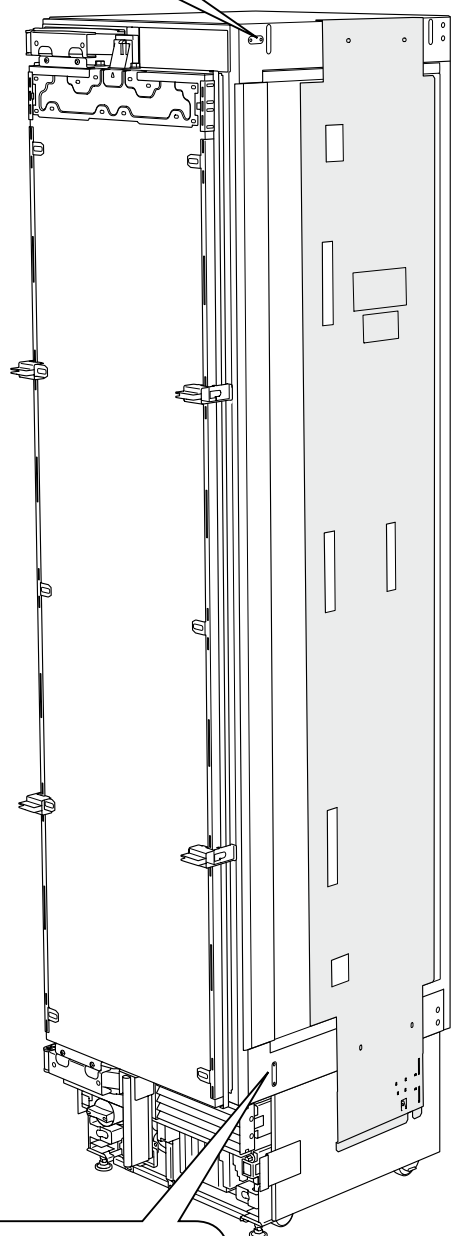
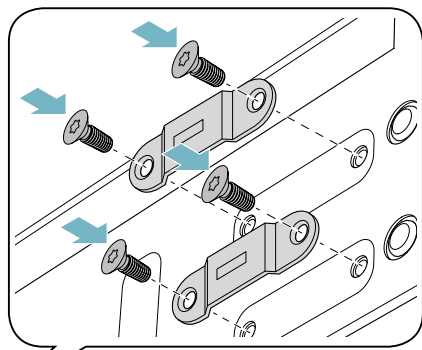
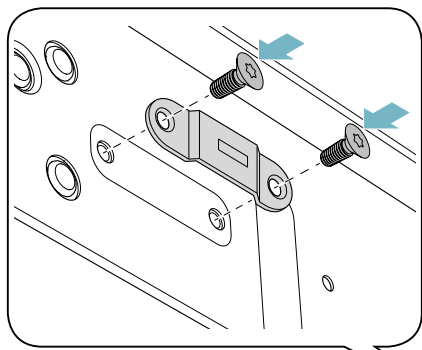
RA460013



→ 58

M5x16   12x

A
B
C
D





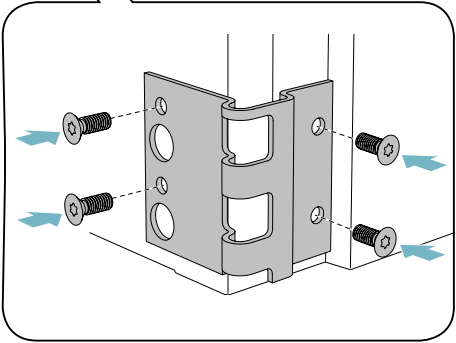
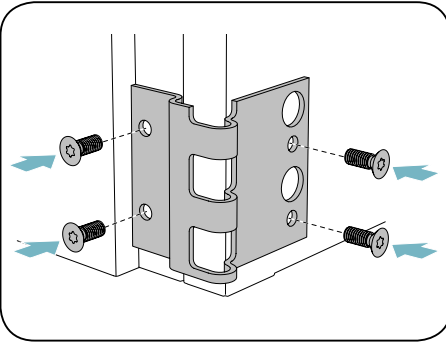
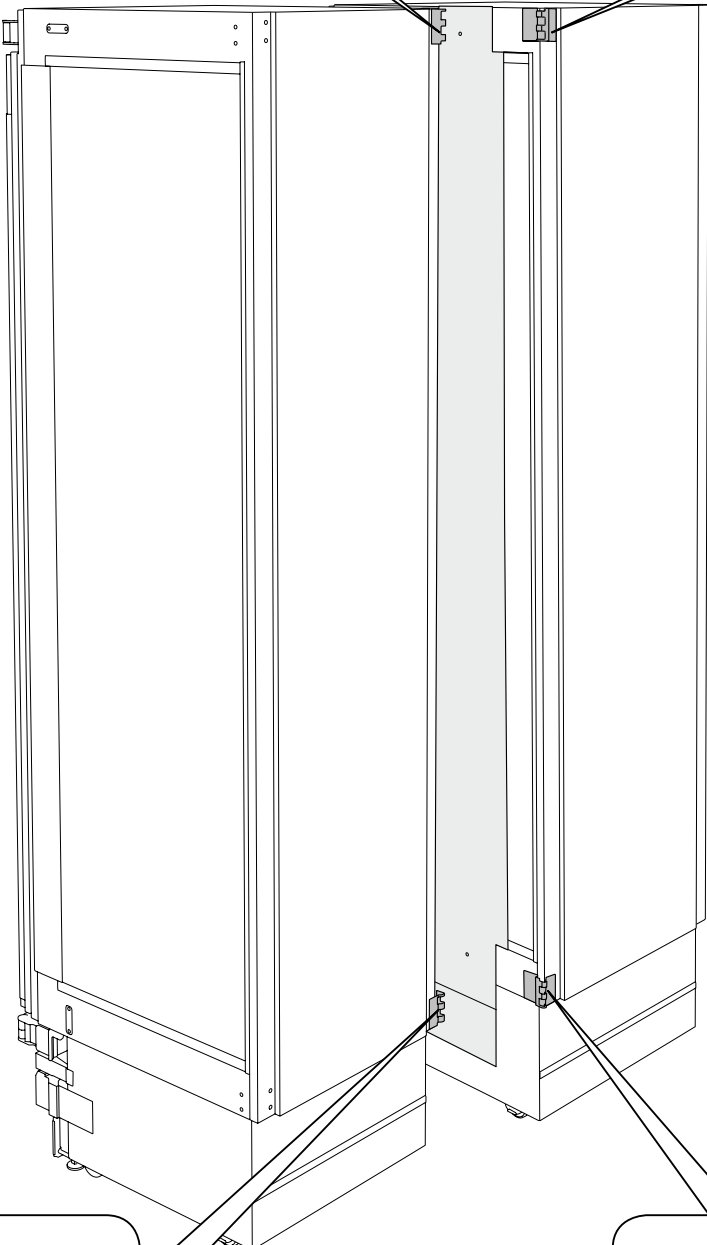
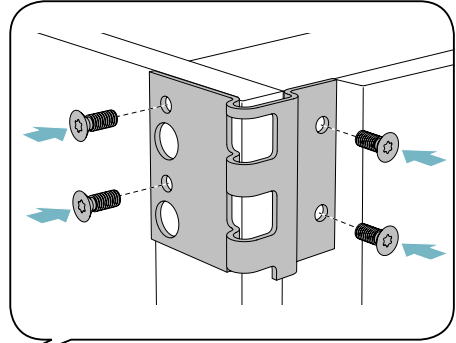
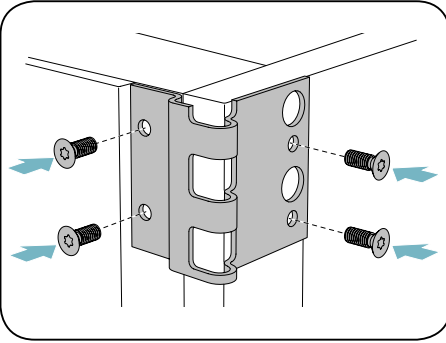
A

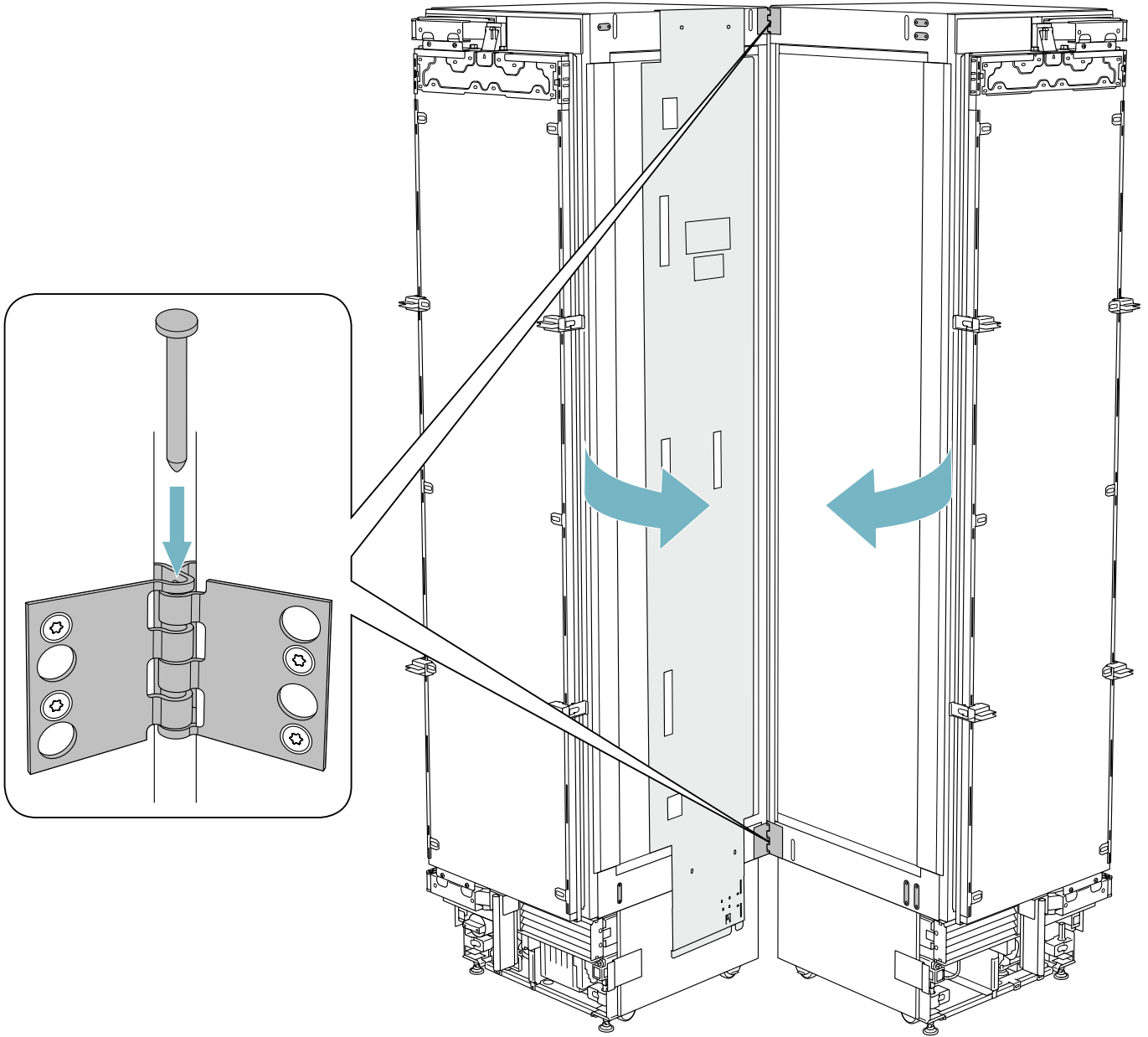
B

C

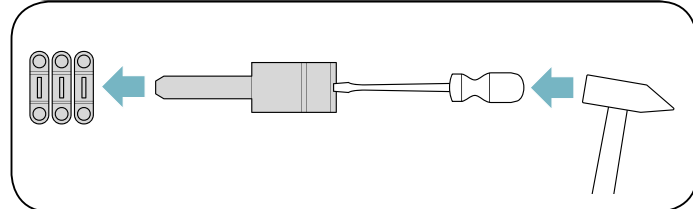
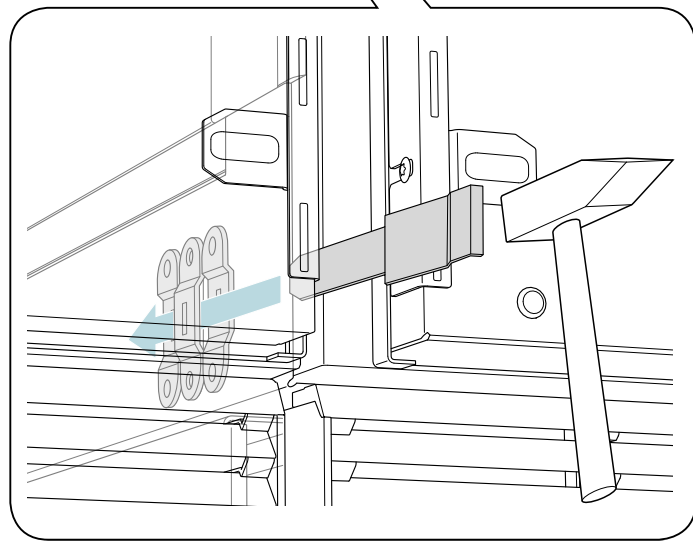
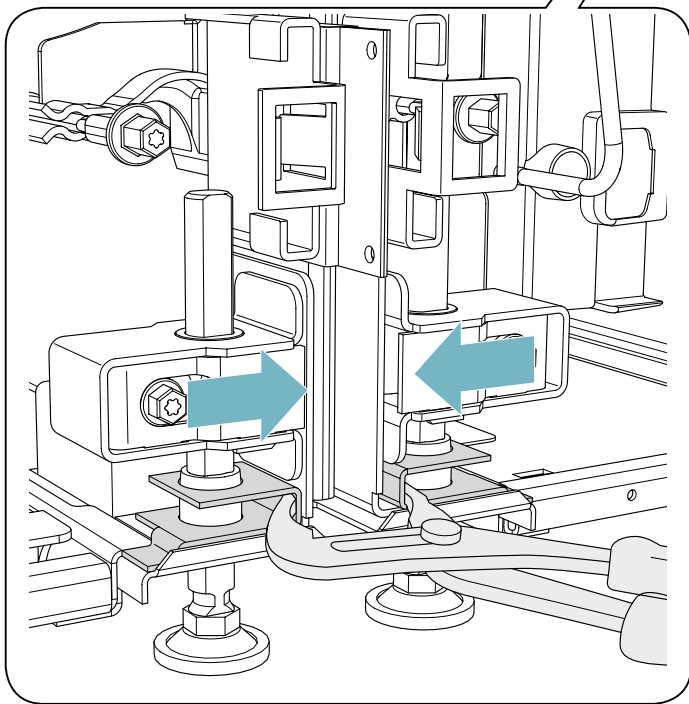
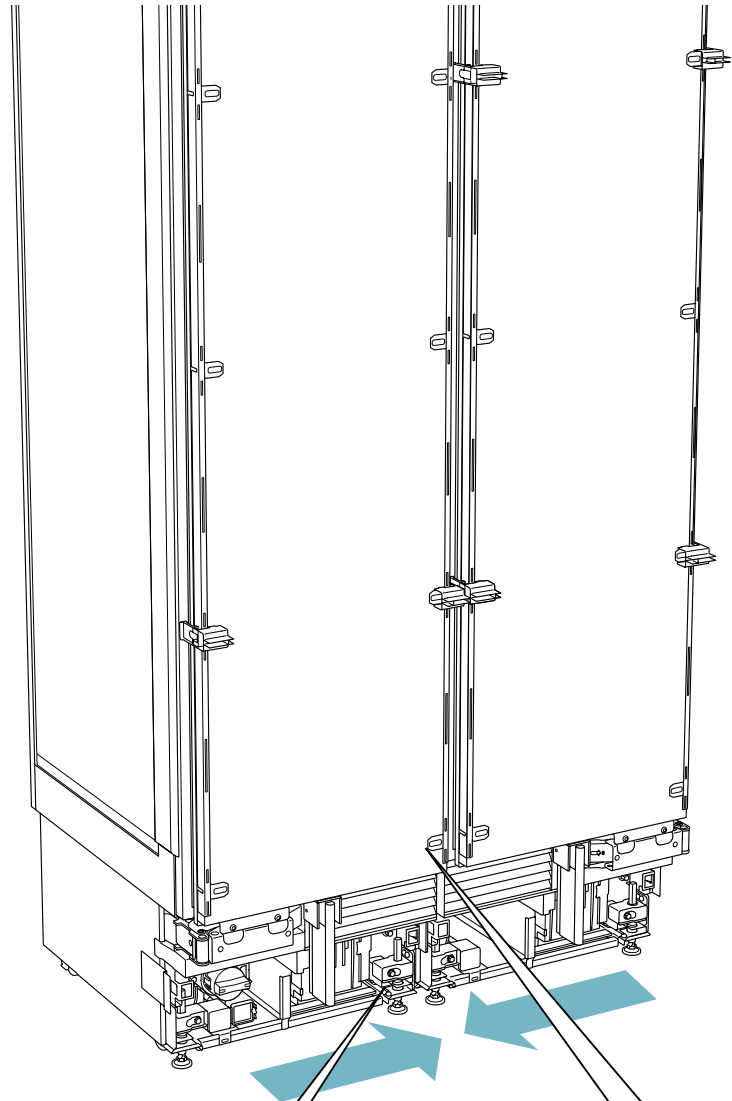
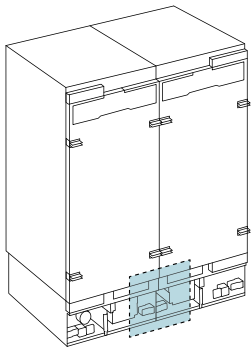
D

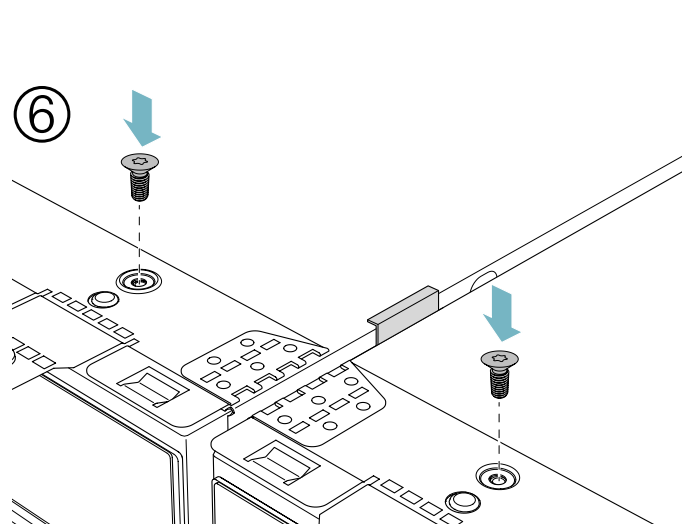
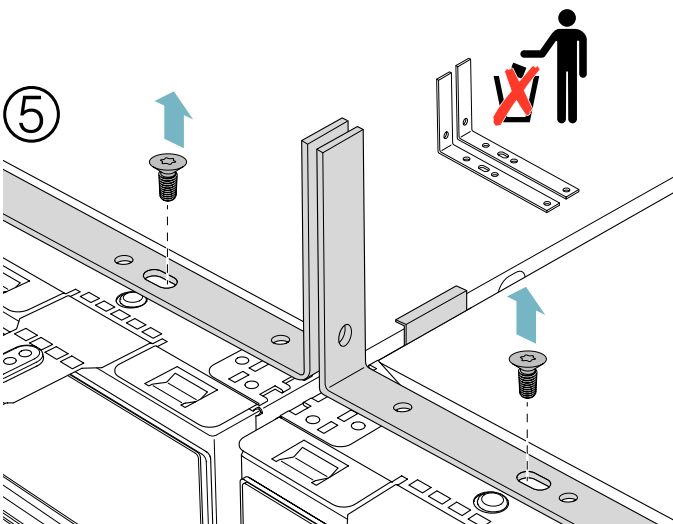
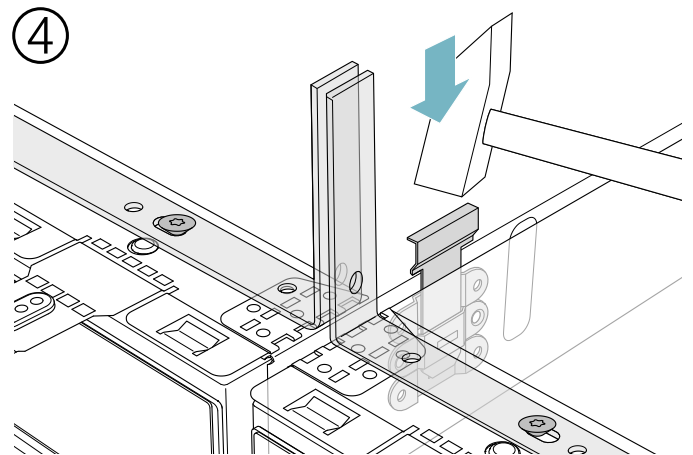
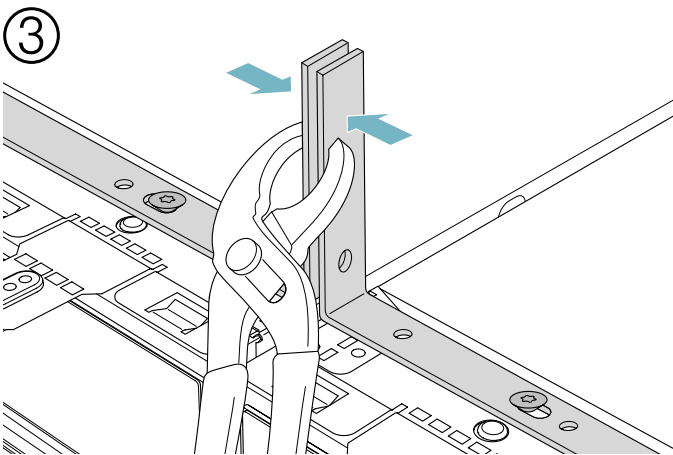
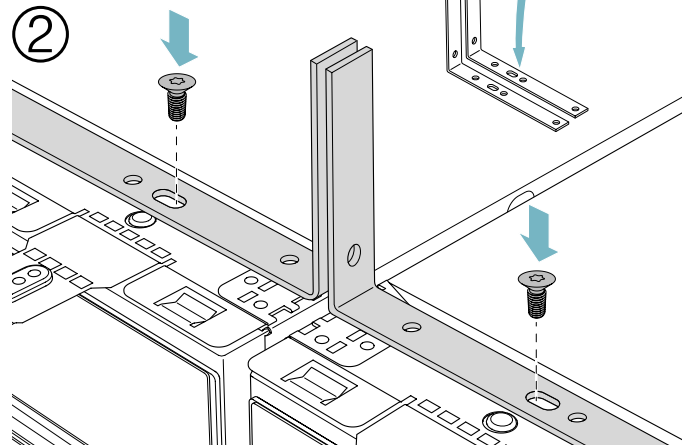
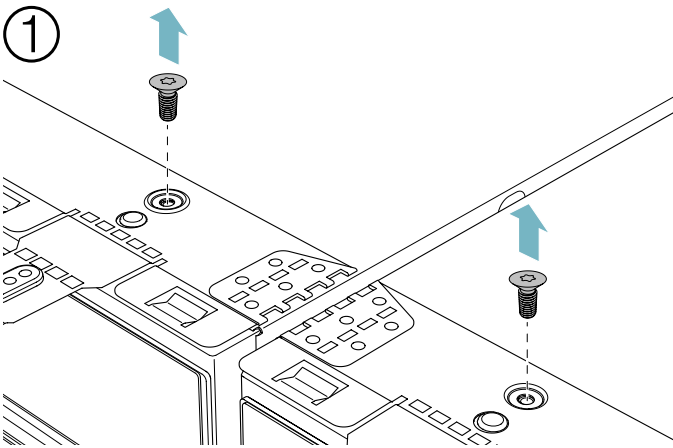
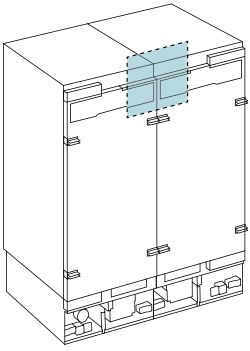
M5x16   16x

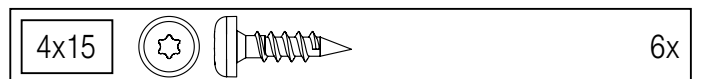
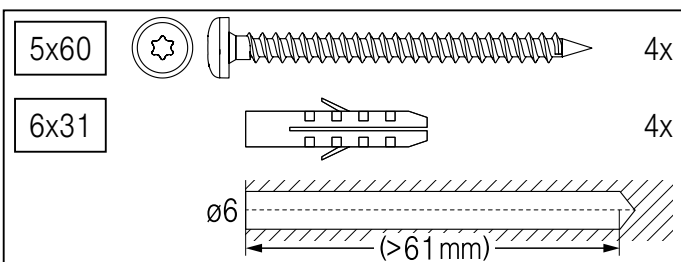
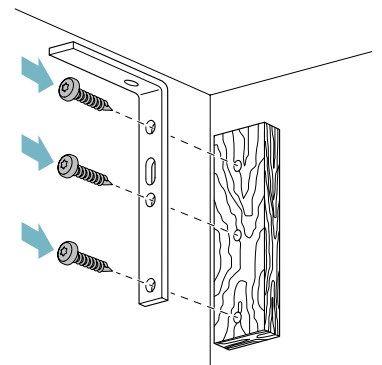
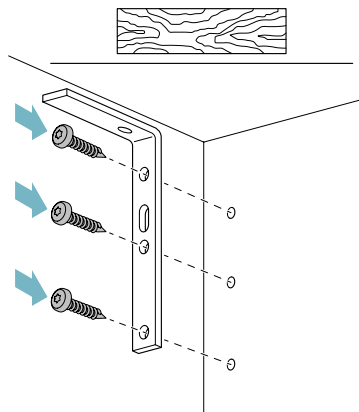
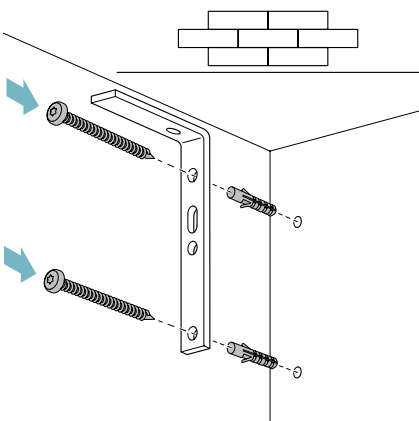
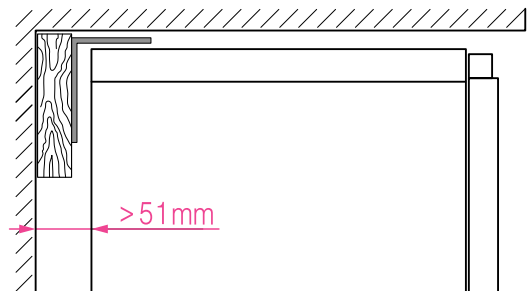
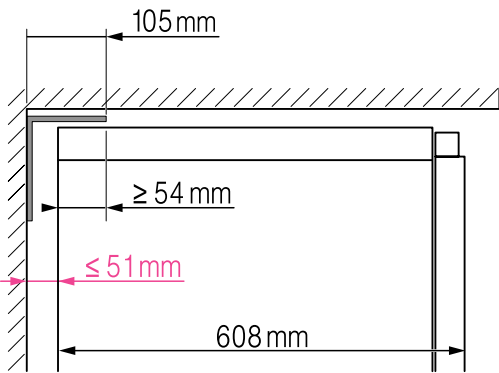
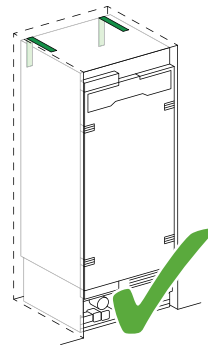
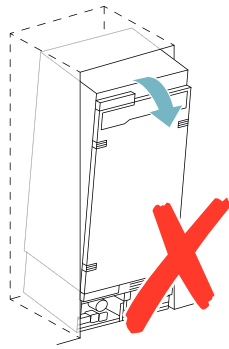
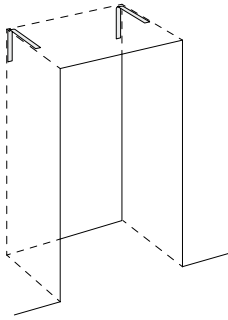


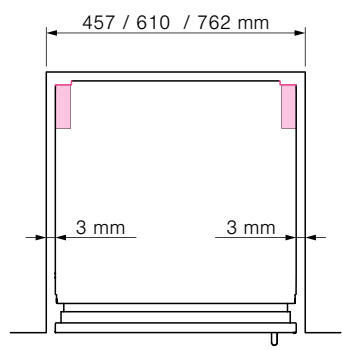
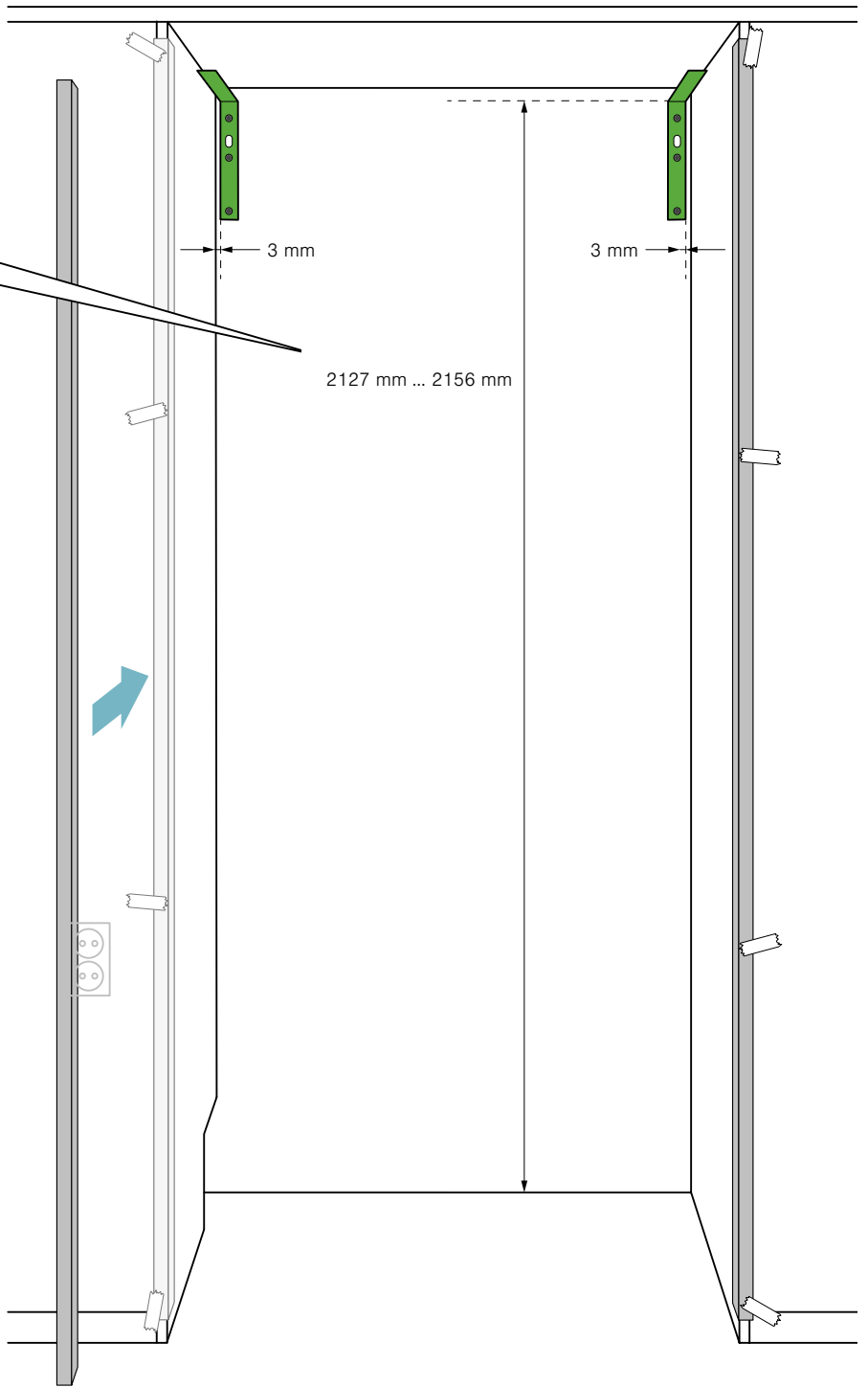
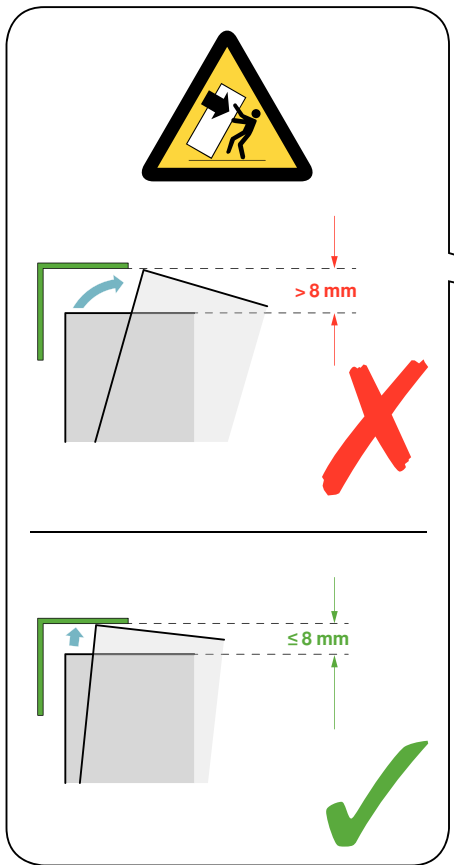
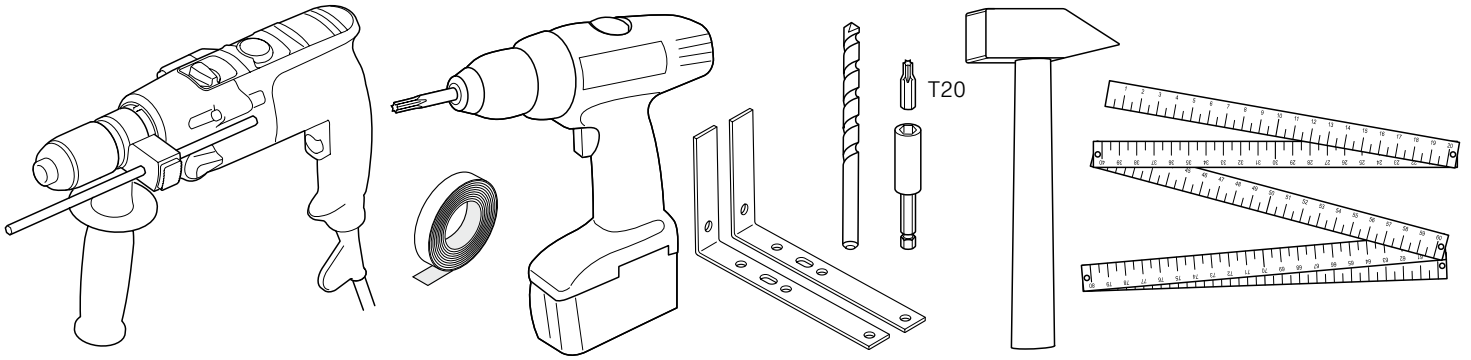


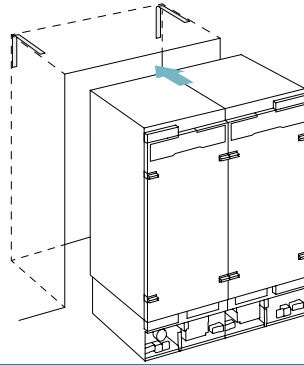
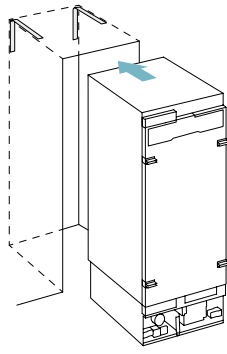
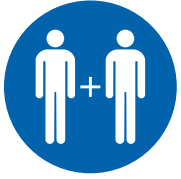
A
B
C
D



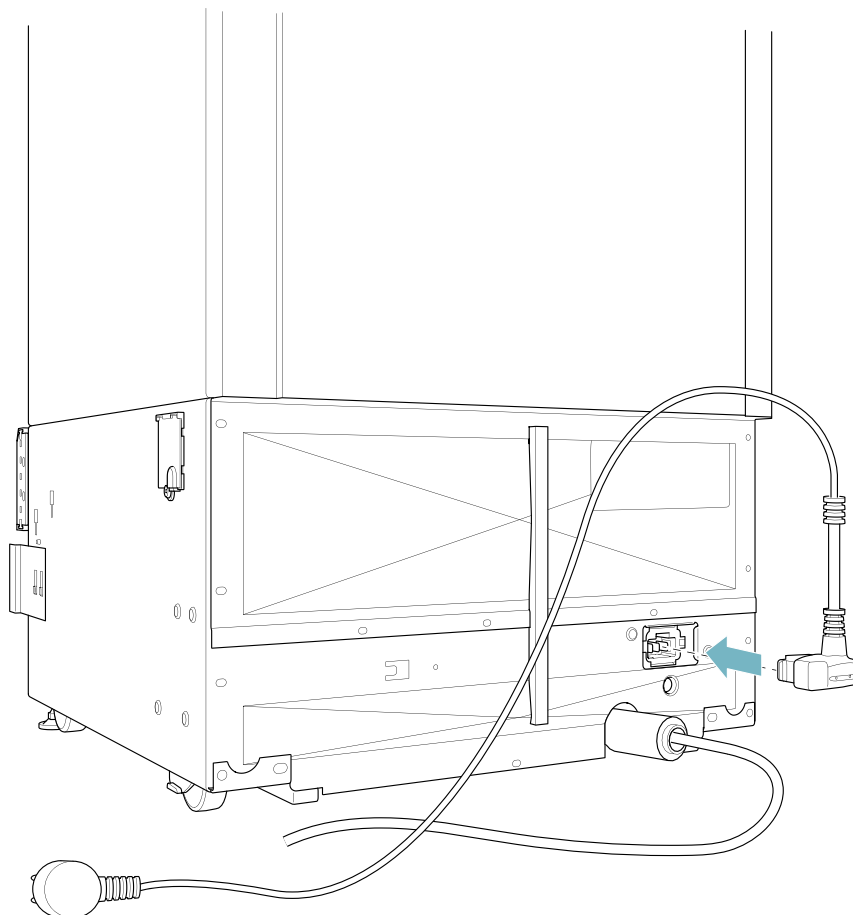
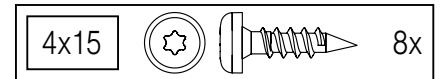
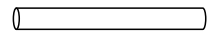
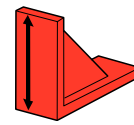
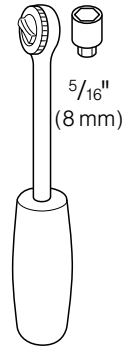
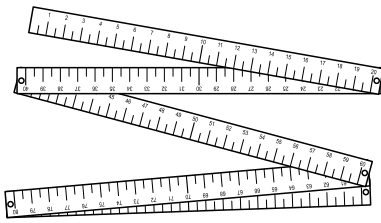
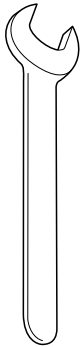
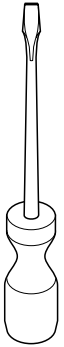
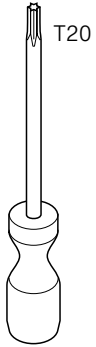




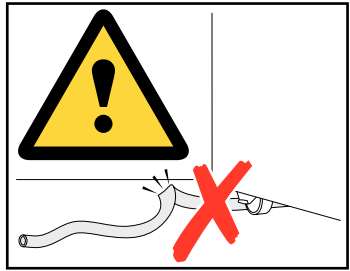
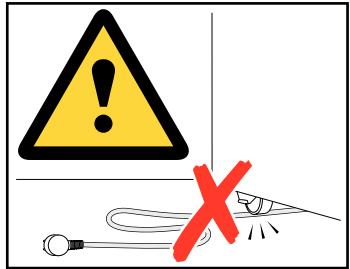
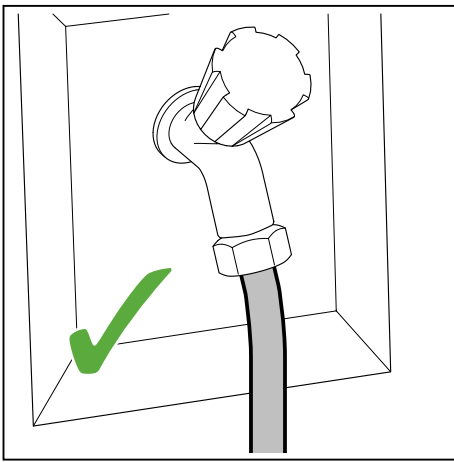
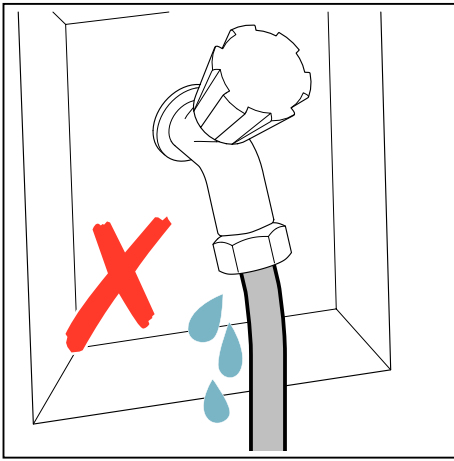
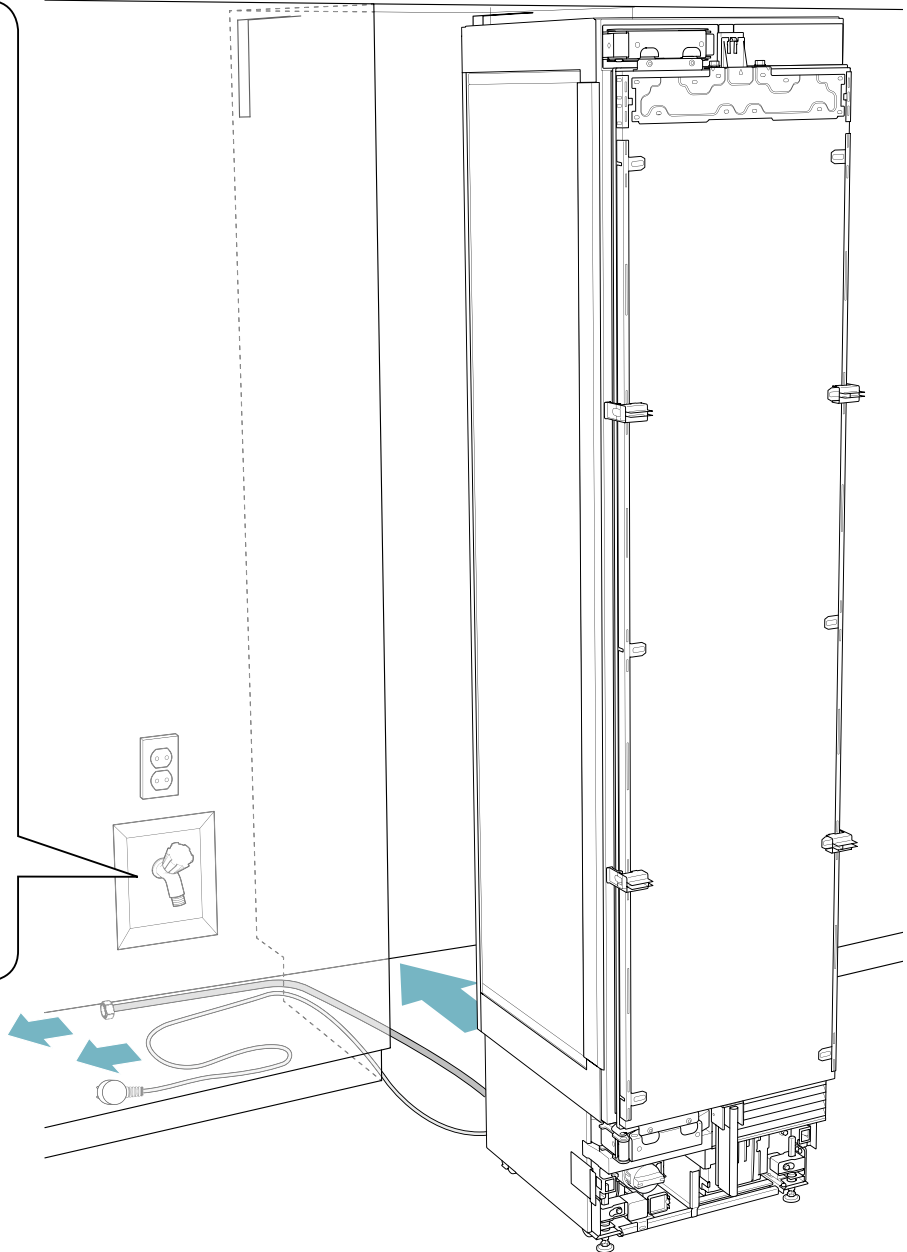
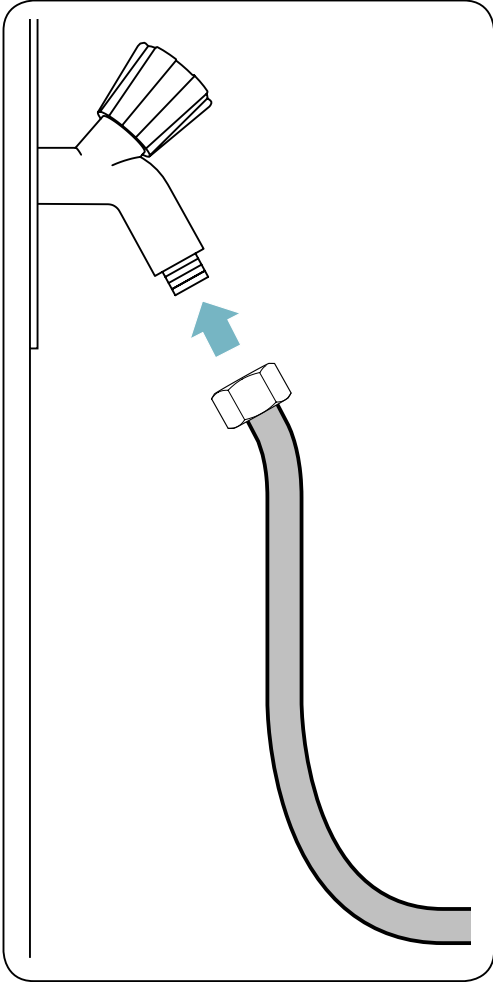


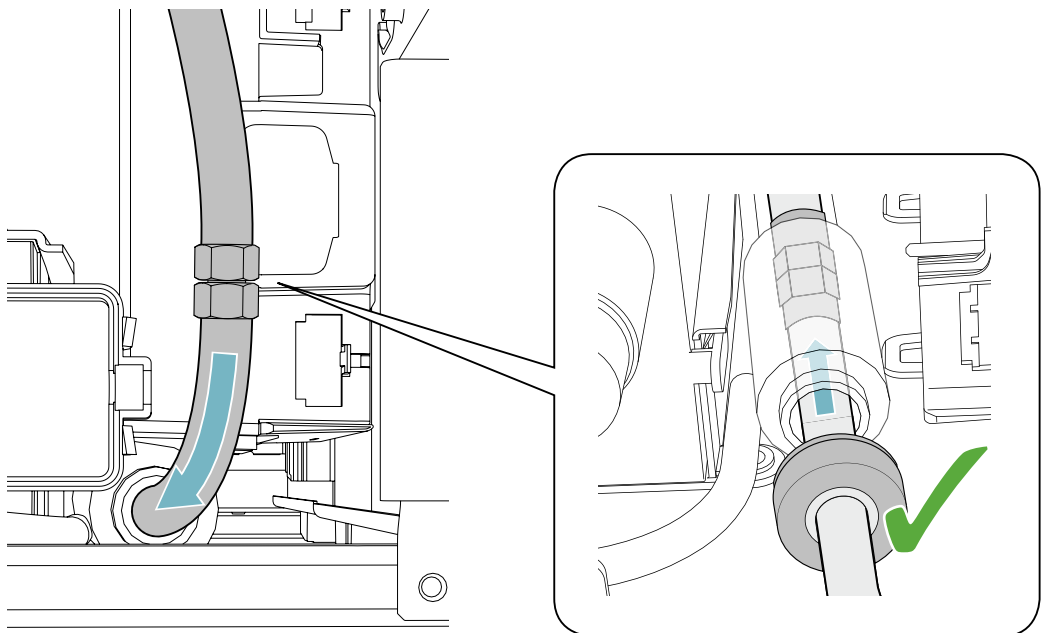
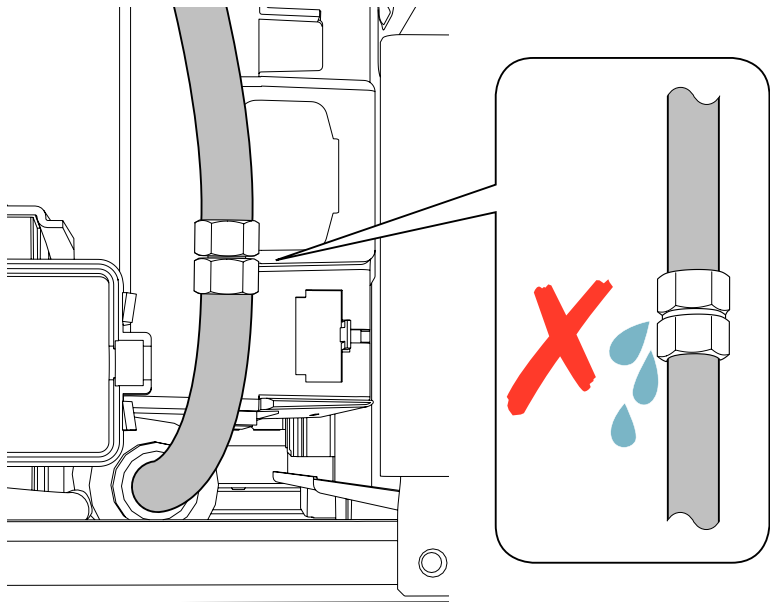
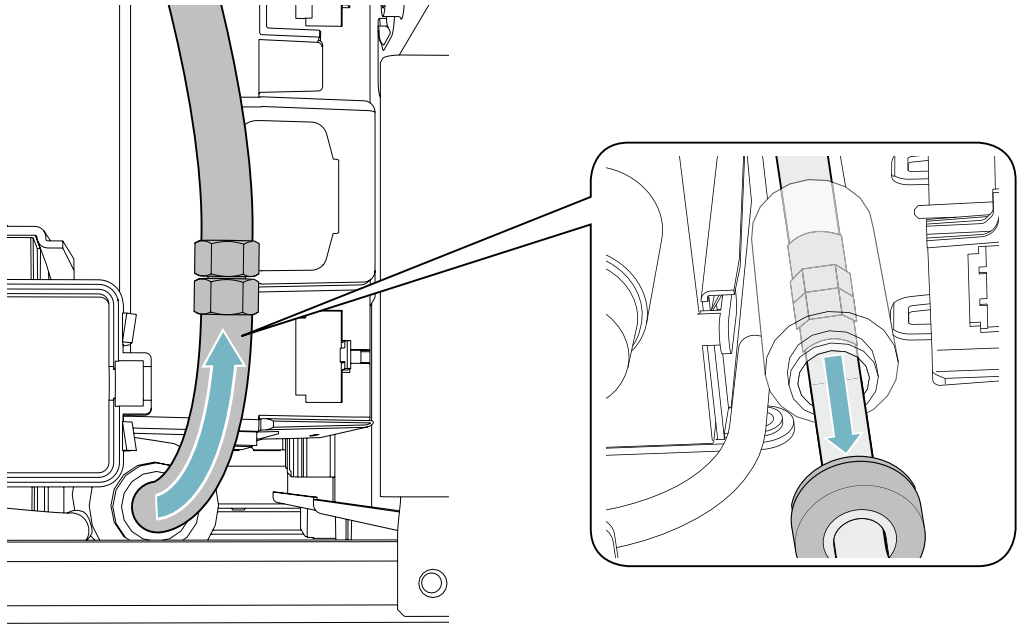
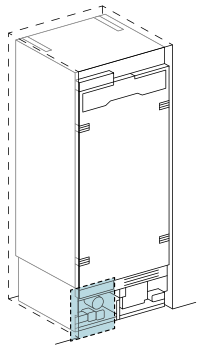


A
B
C
D

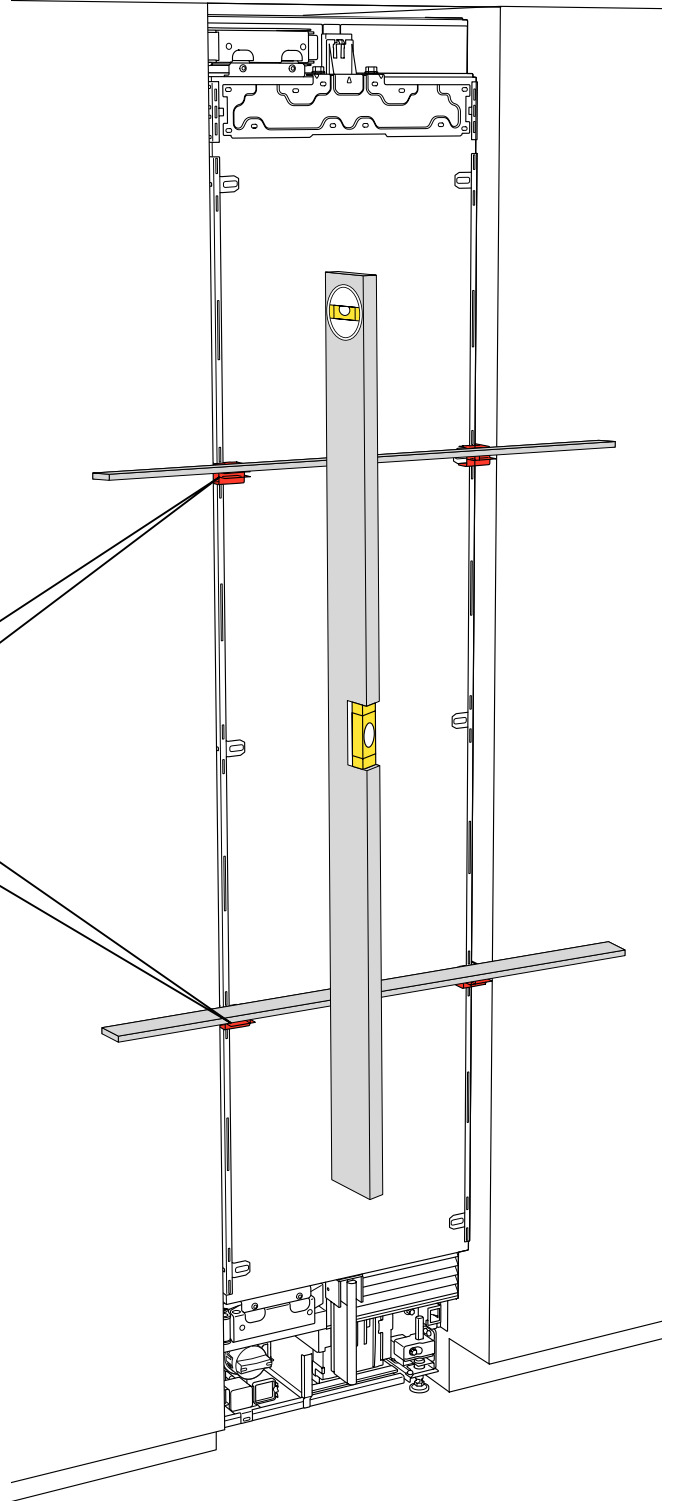
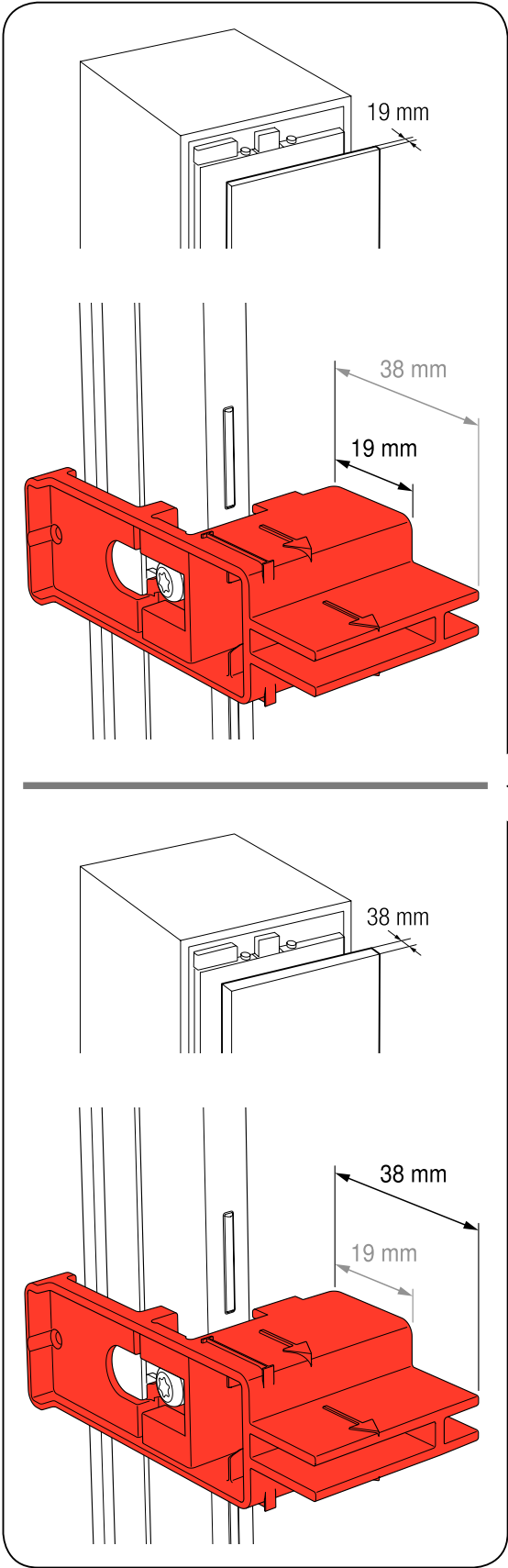


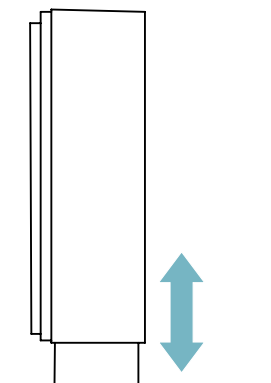
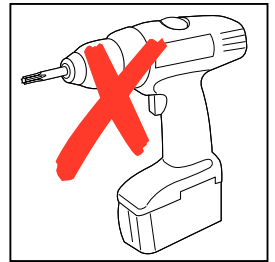
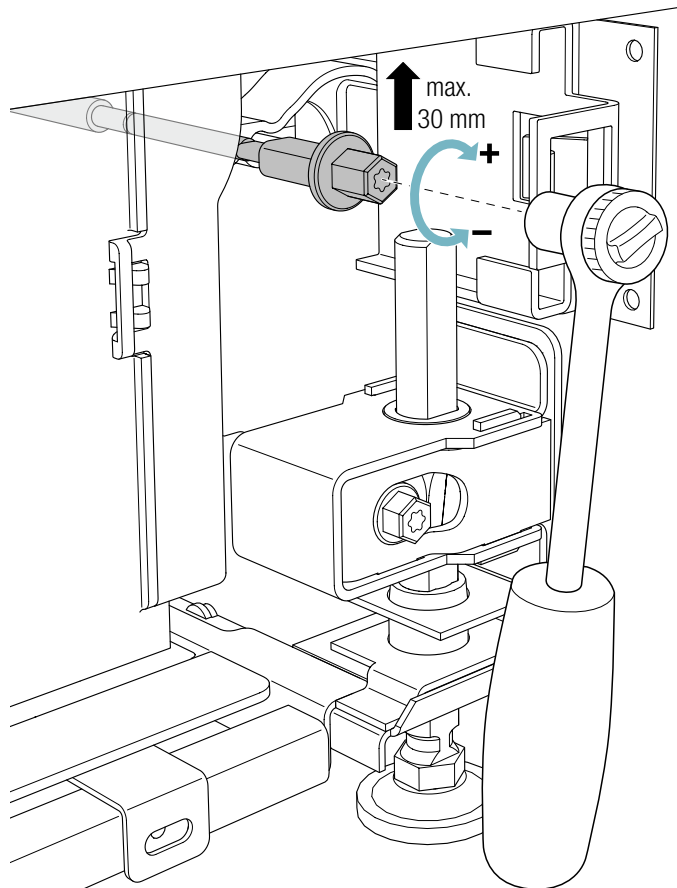
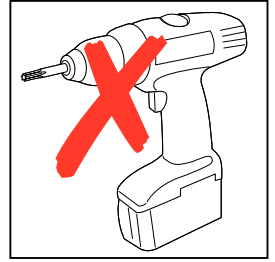
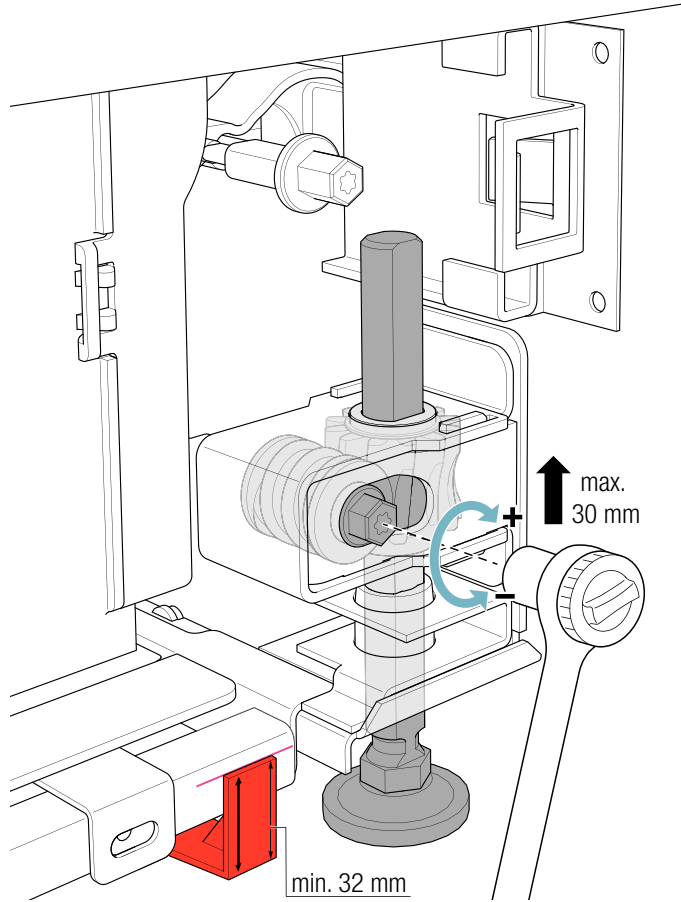
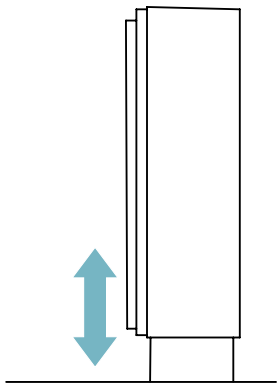
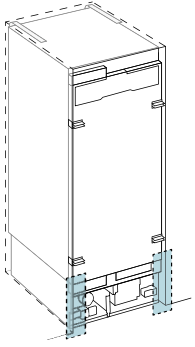
A
B
C
D




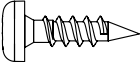


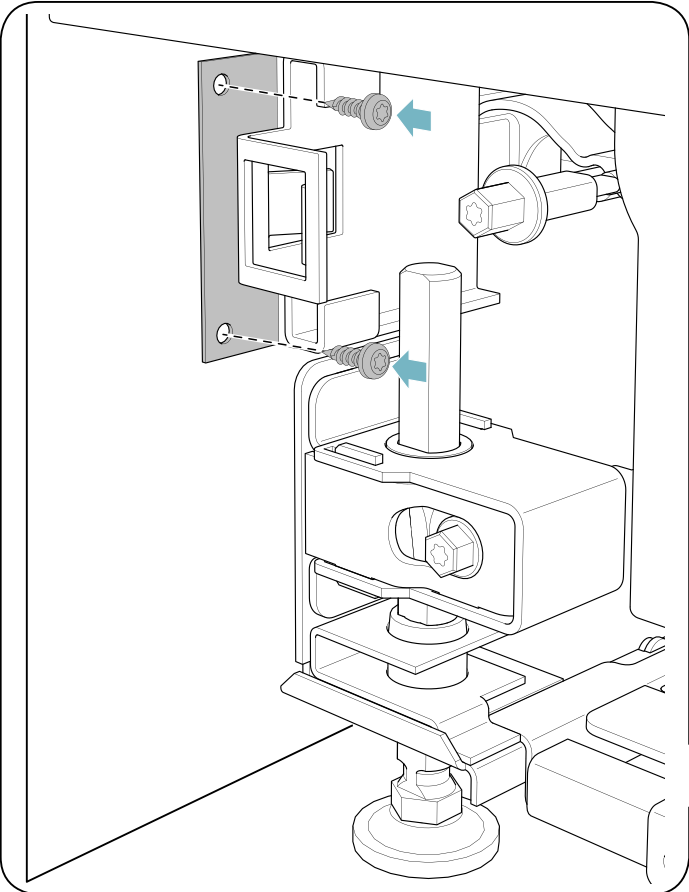
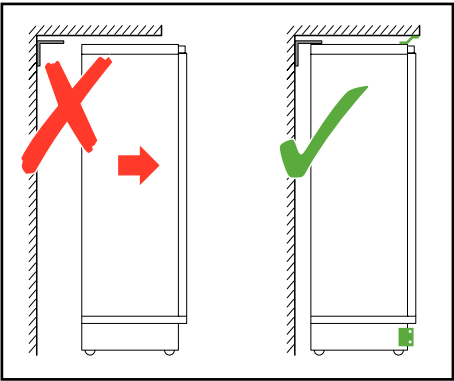
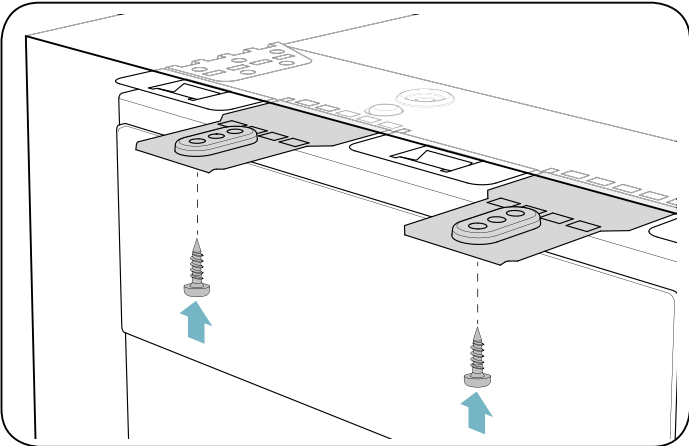
A
B
C
D

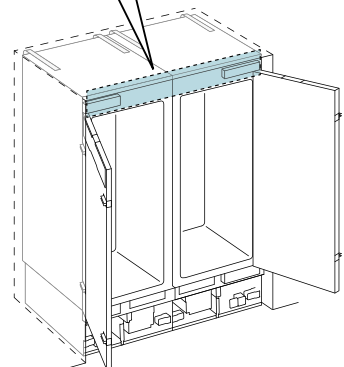
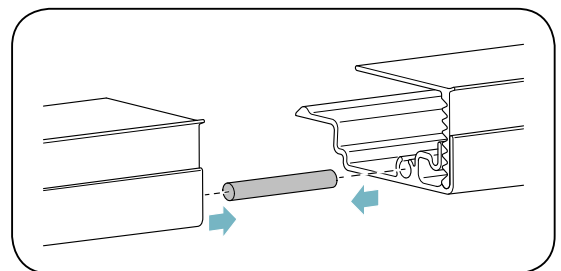
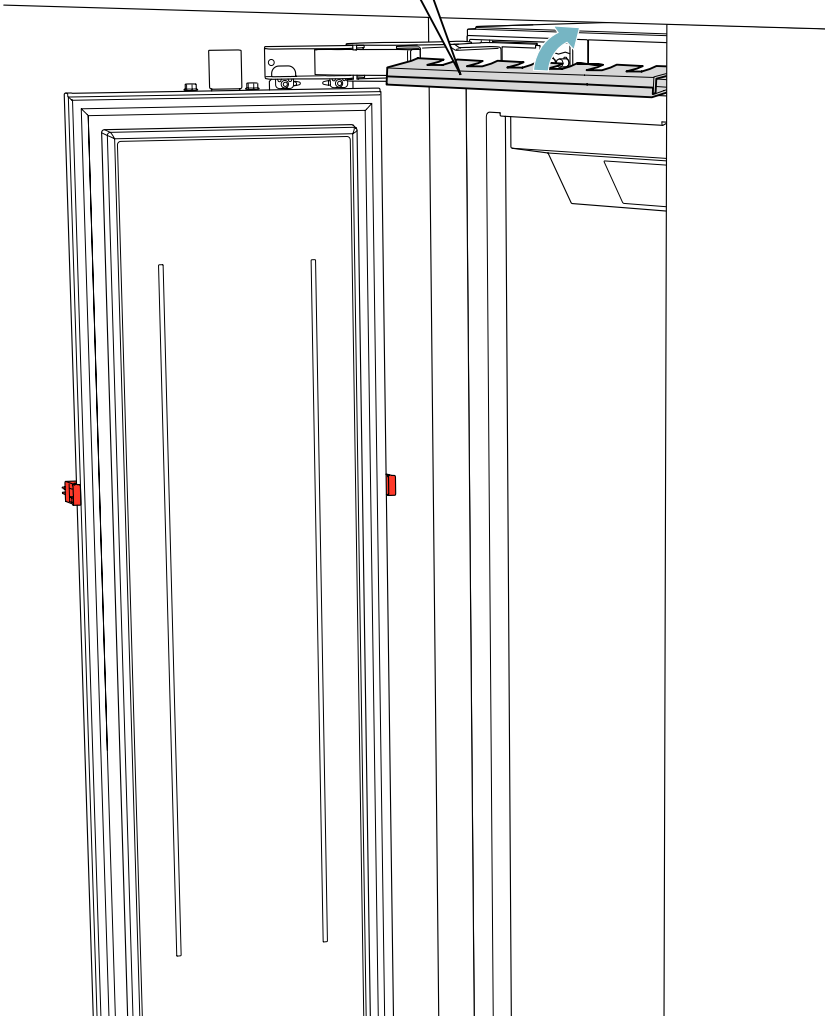
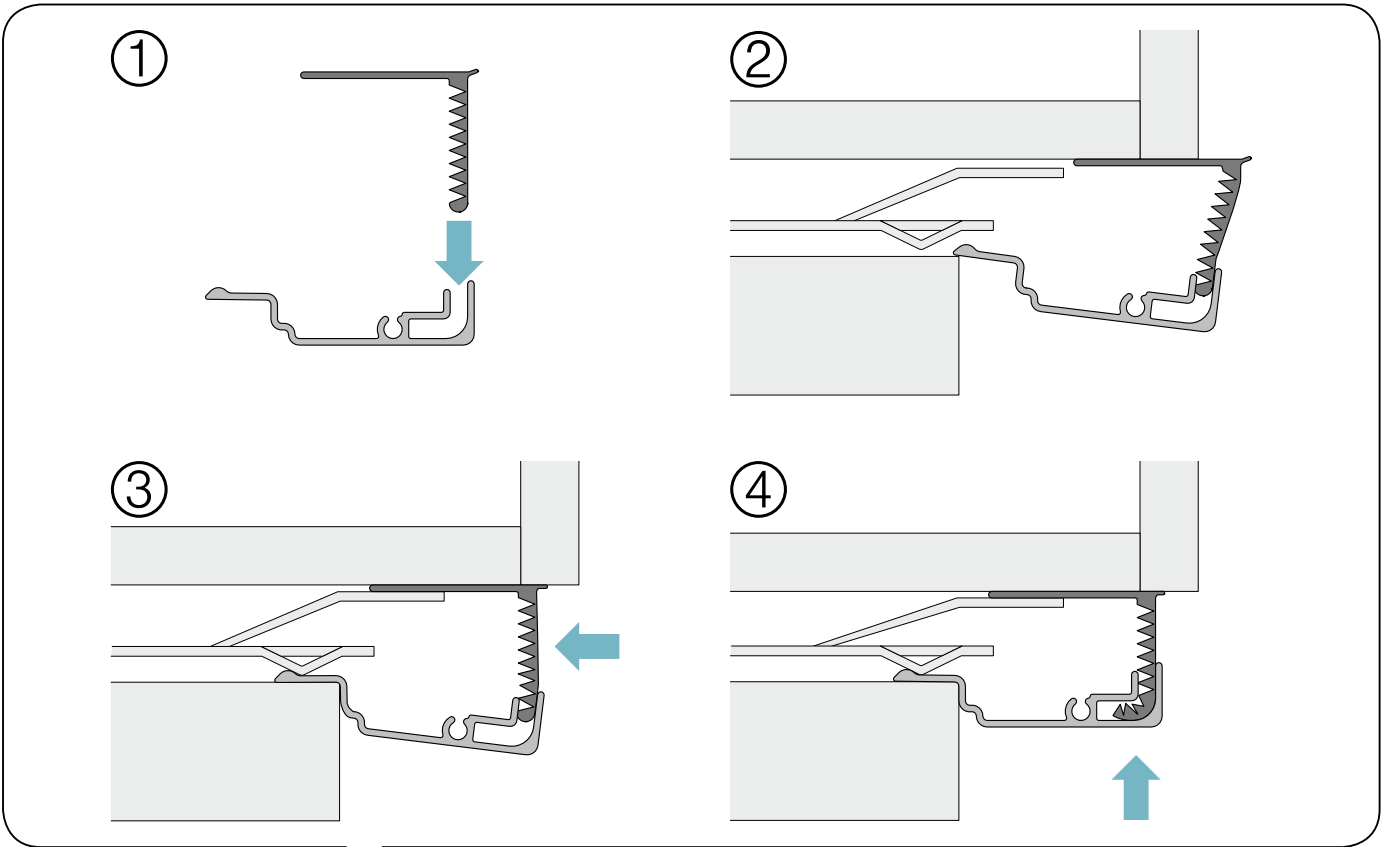




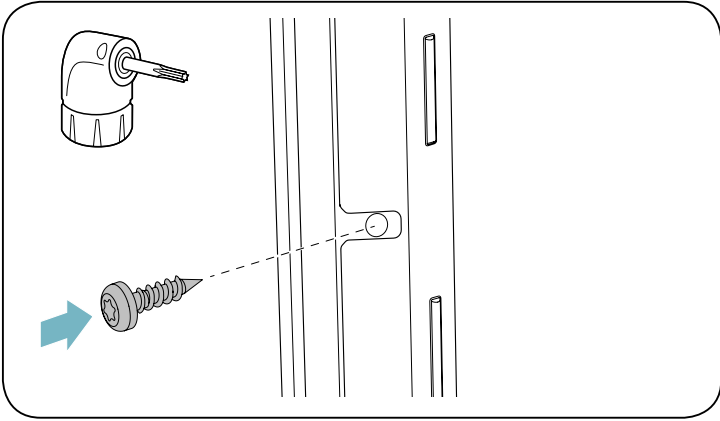
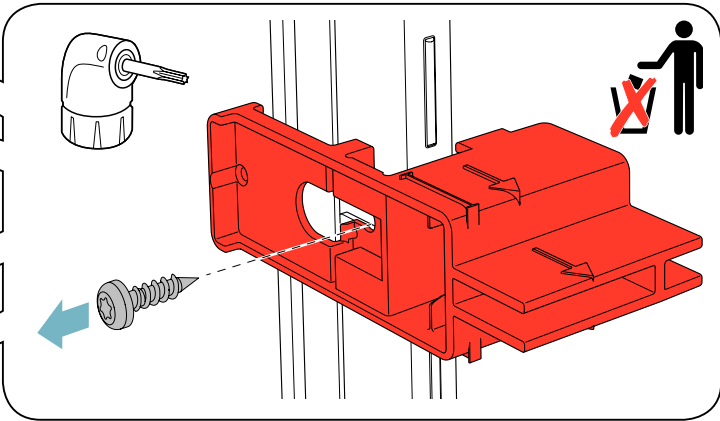
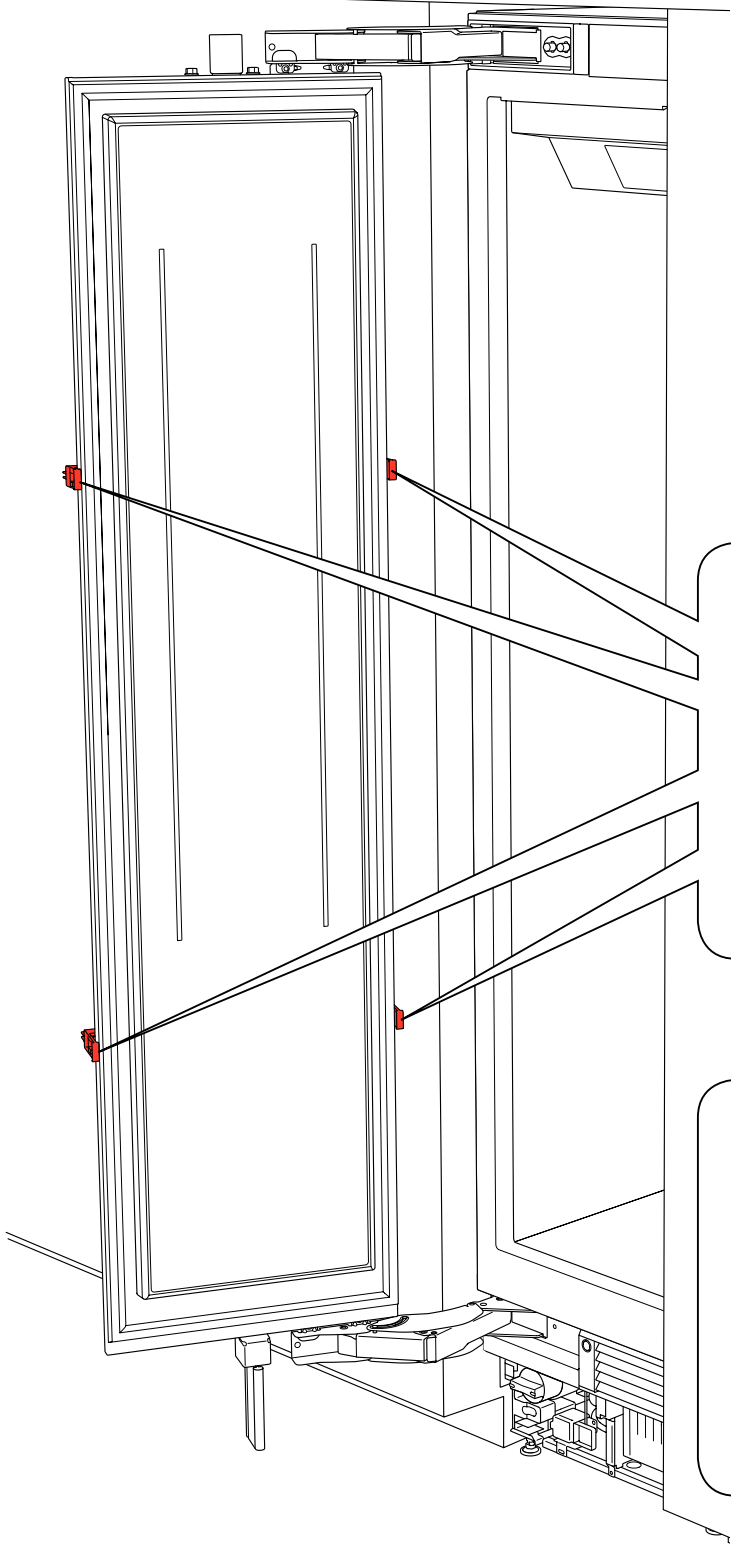
A
B
C
D

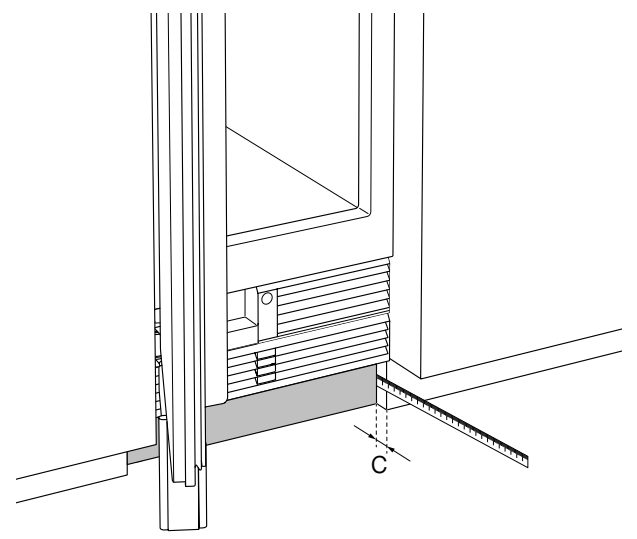
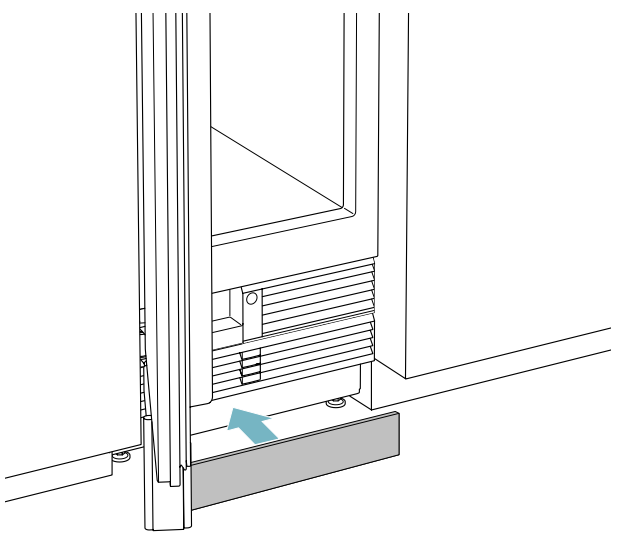
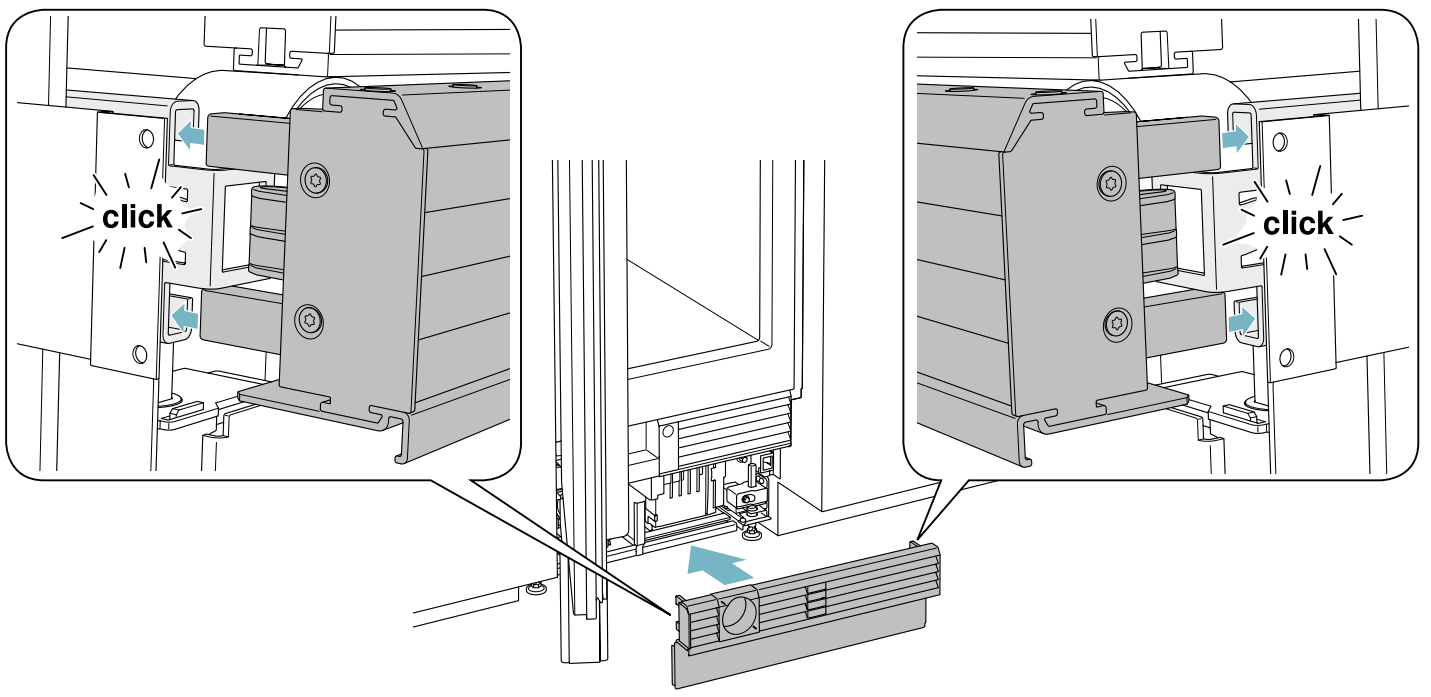
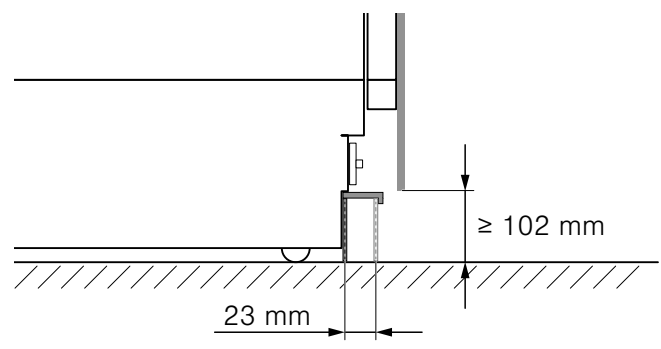
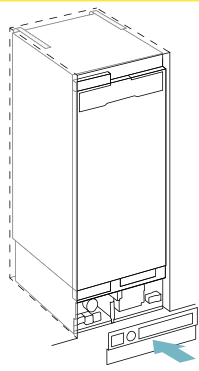
4x15   8x



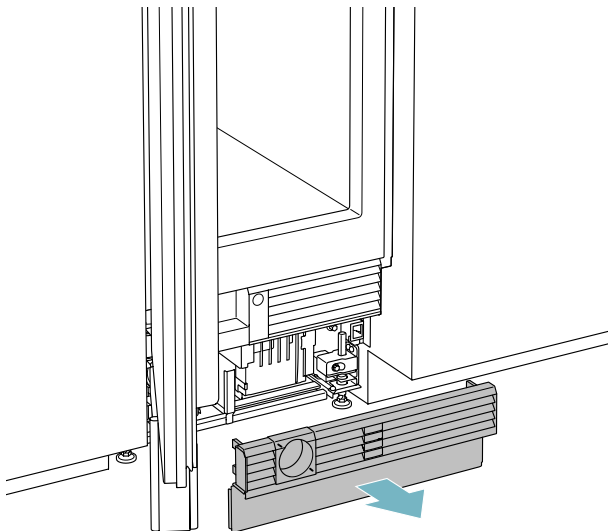
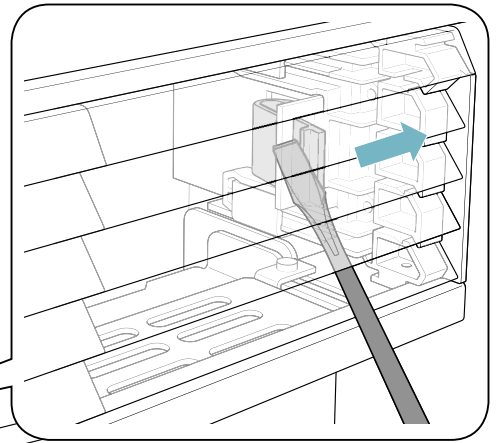
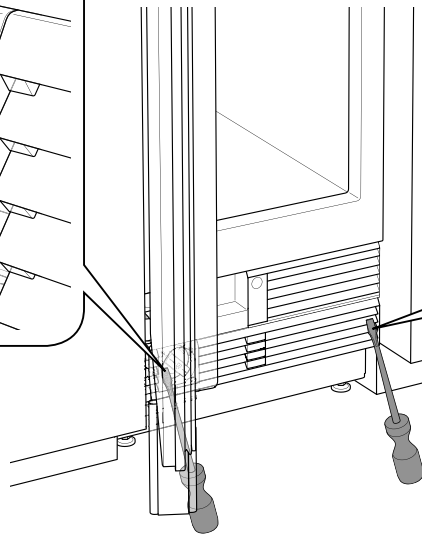
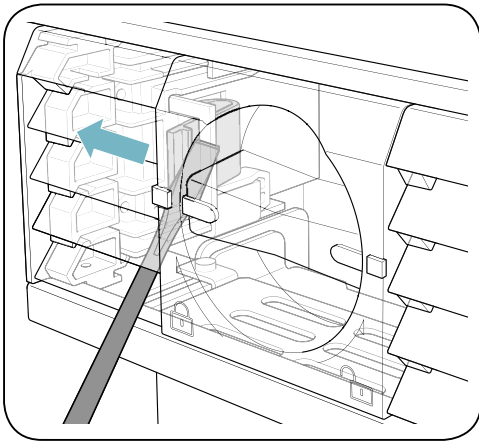
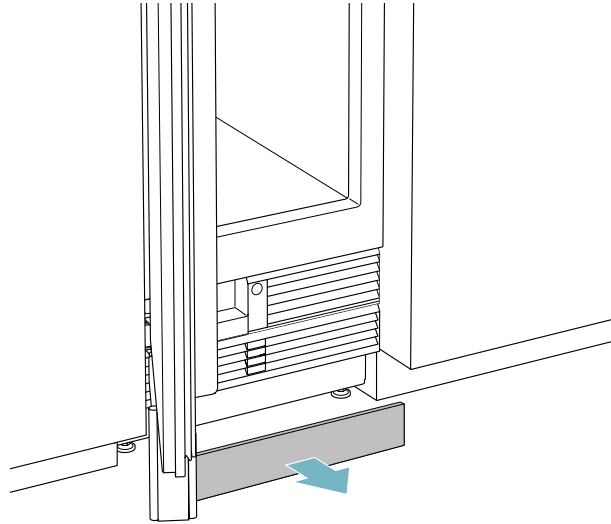


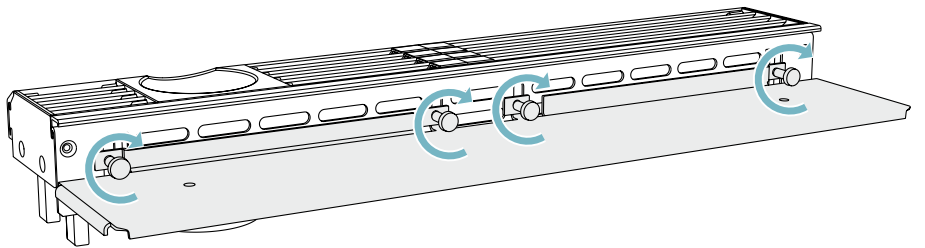
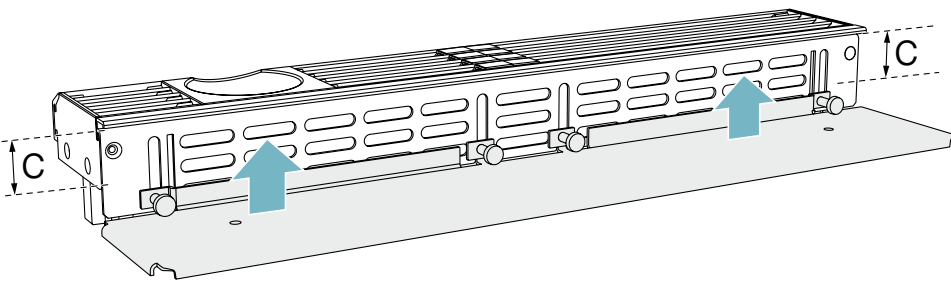
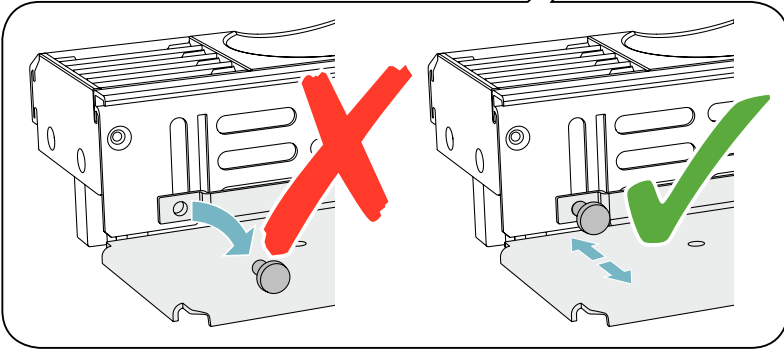
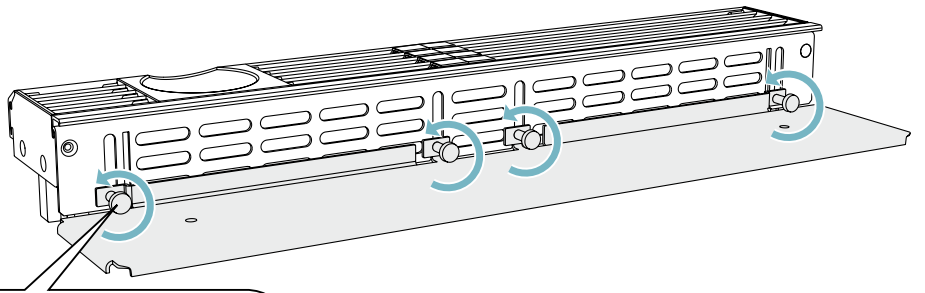
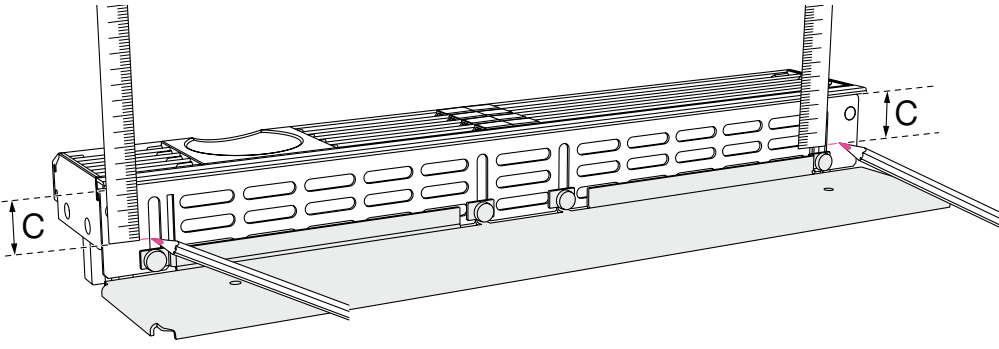
A
B
C
D



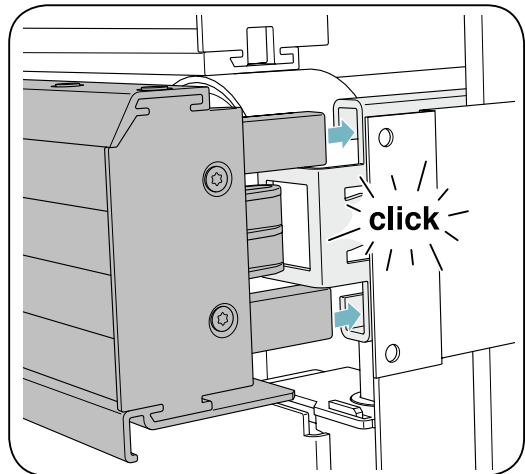
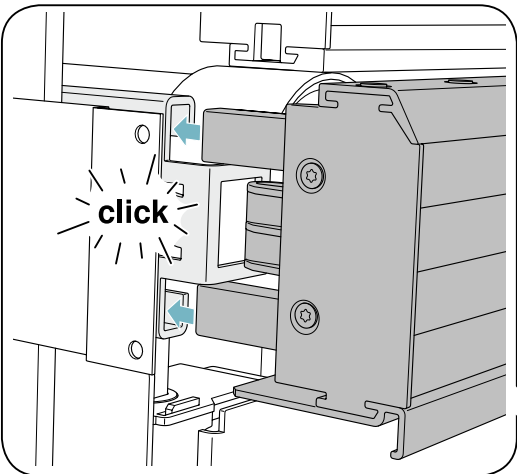
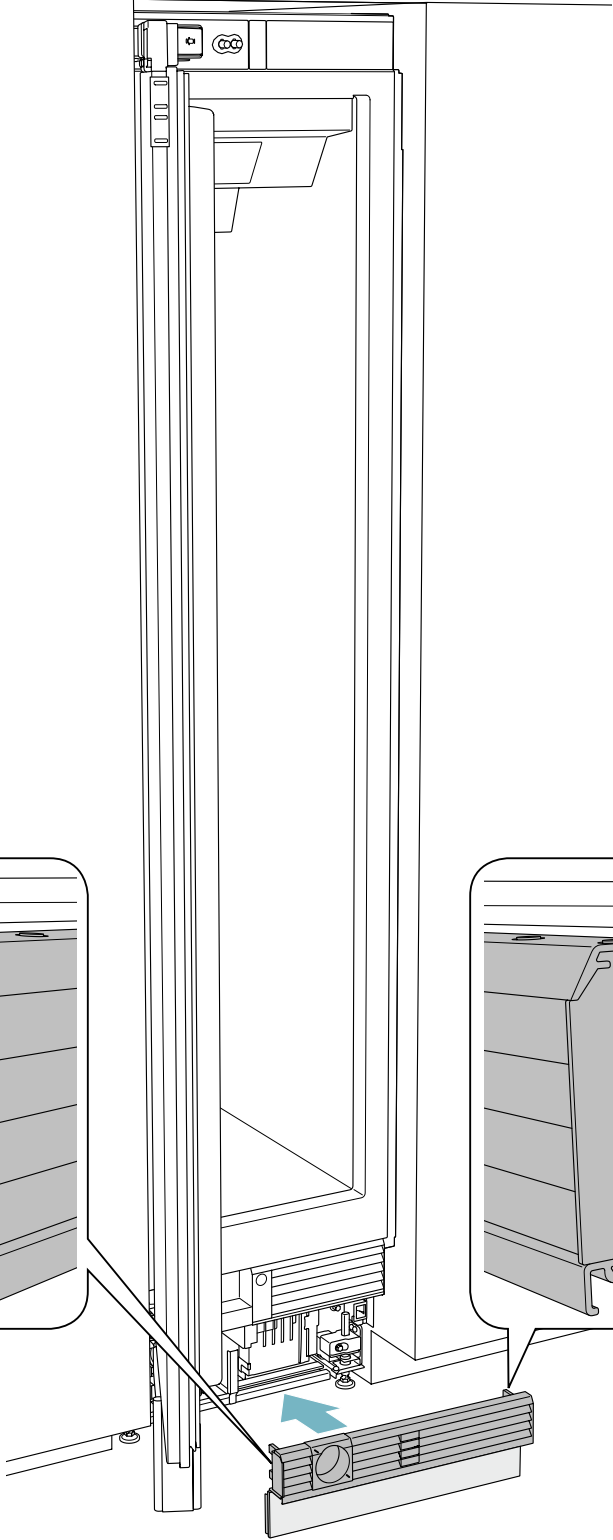
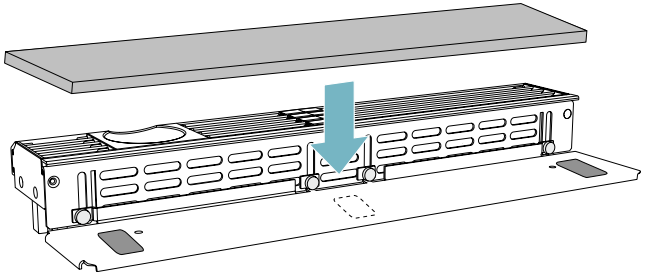
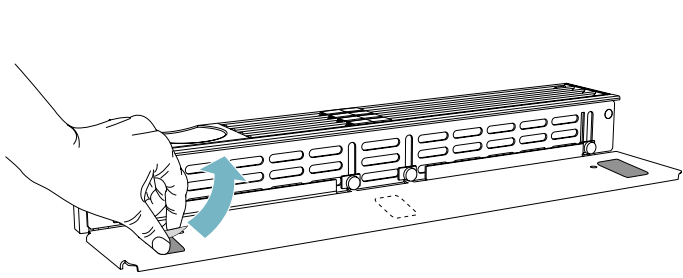


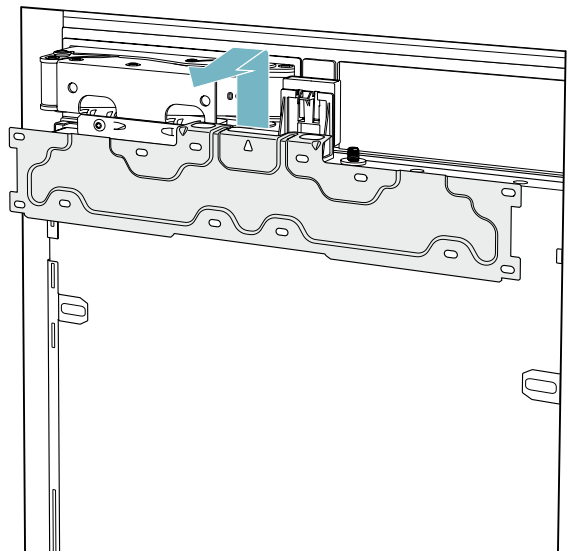
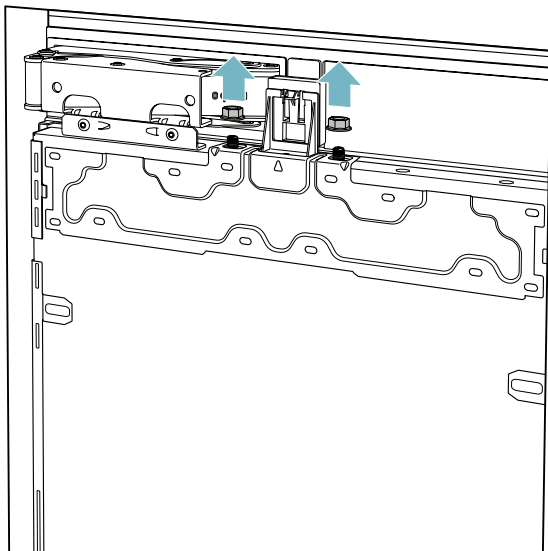
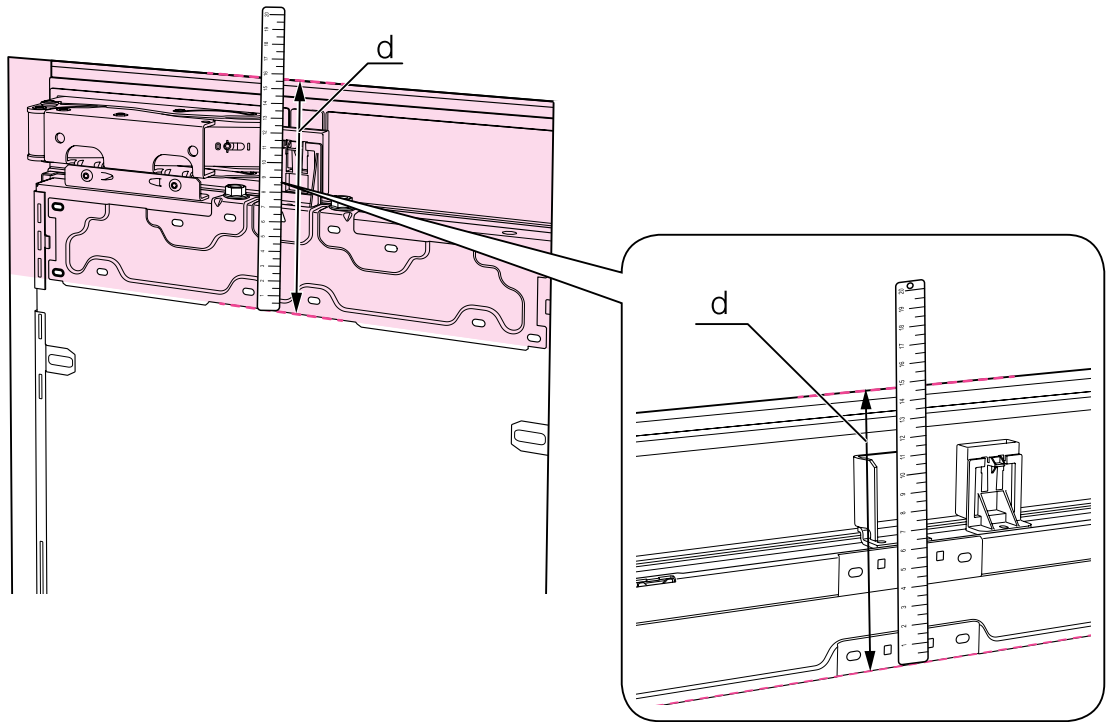
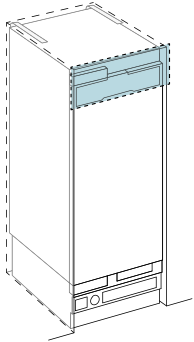
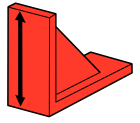
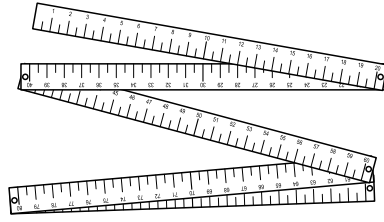
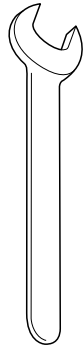
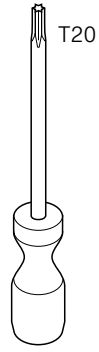
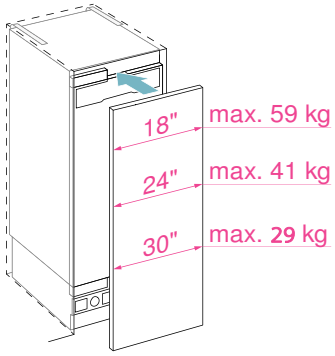
- A
- B
- C
- D



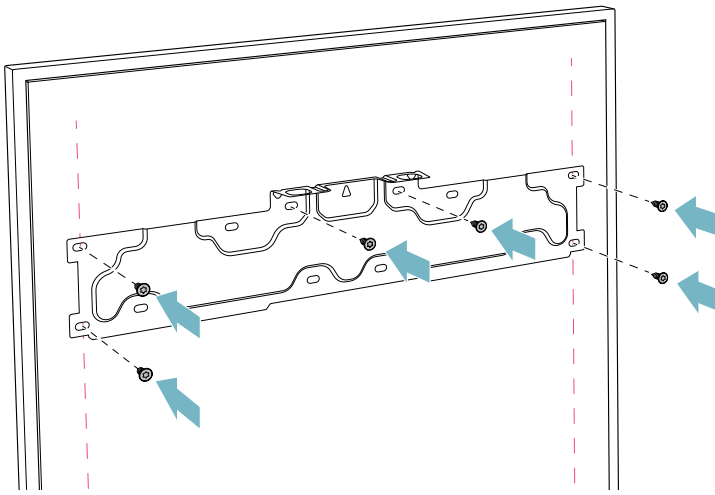
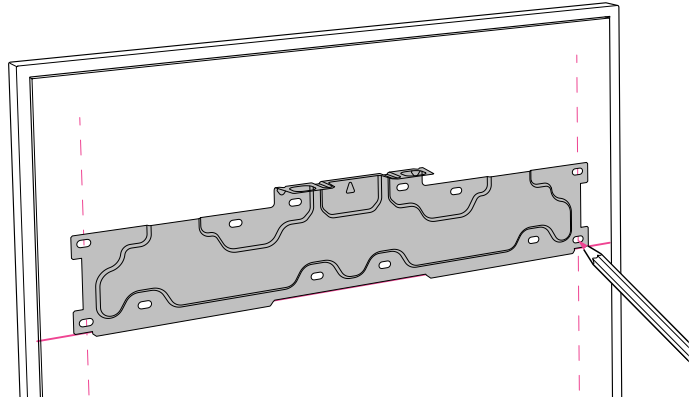
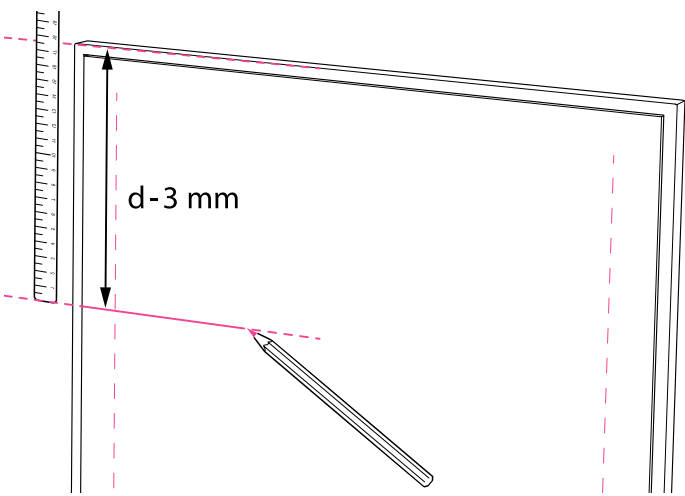
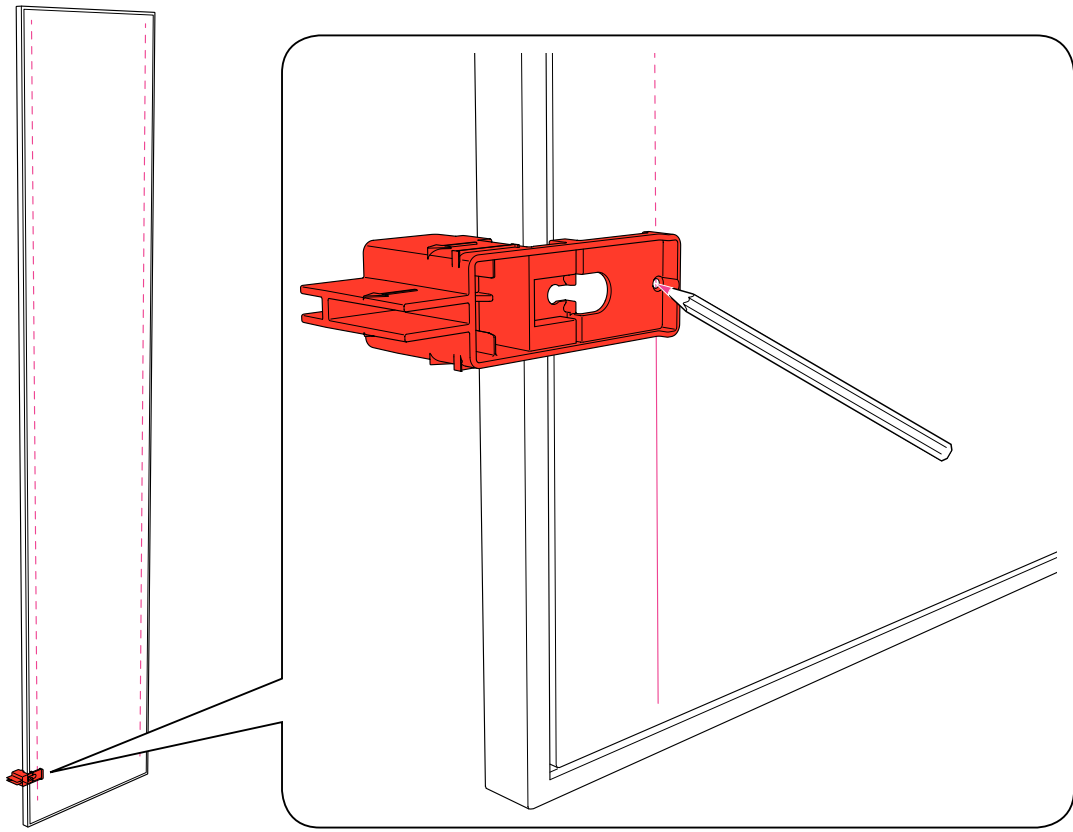



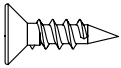
- A
- B
- C
- D

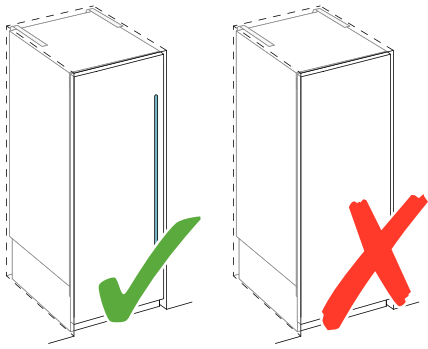



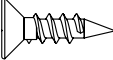


A
B
C
D

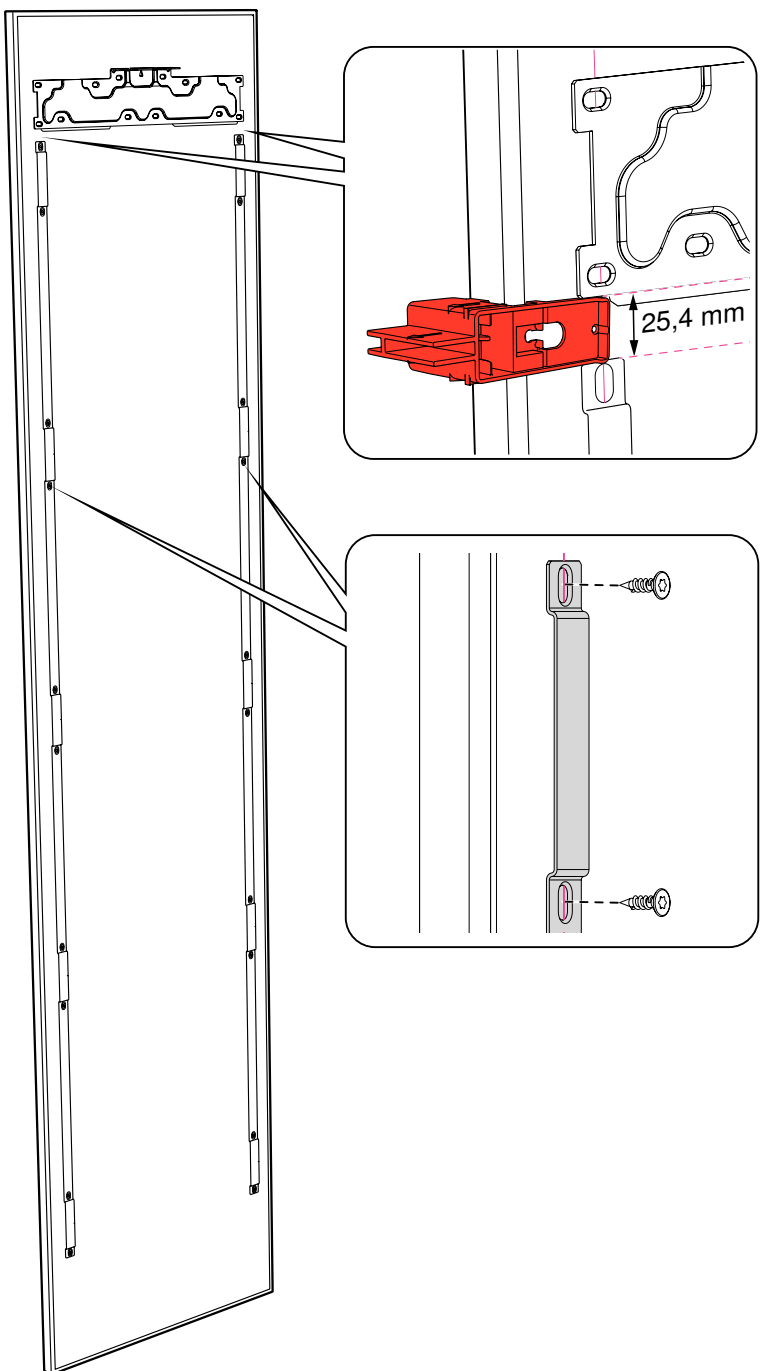
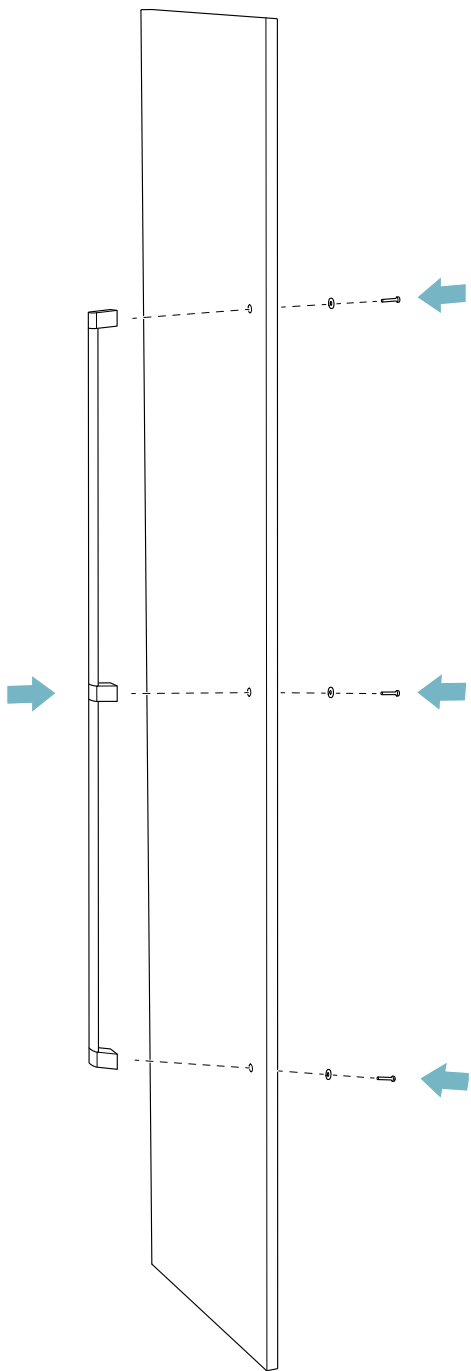


4x15			18" (457 mm) min.	6x
			24" (610 mm) min.	6x
			30" (762 mm) min.	10x

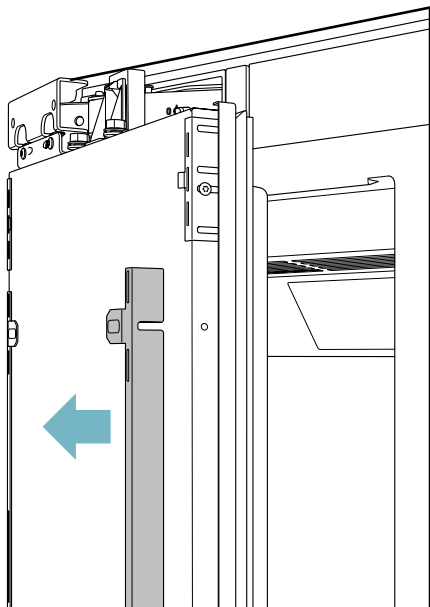
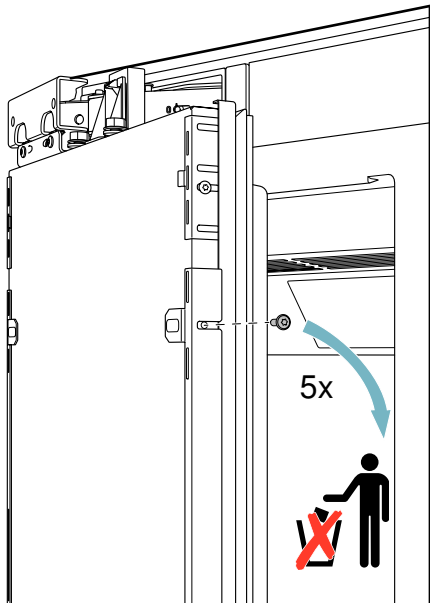
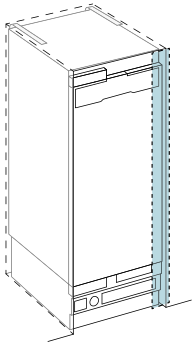


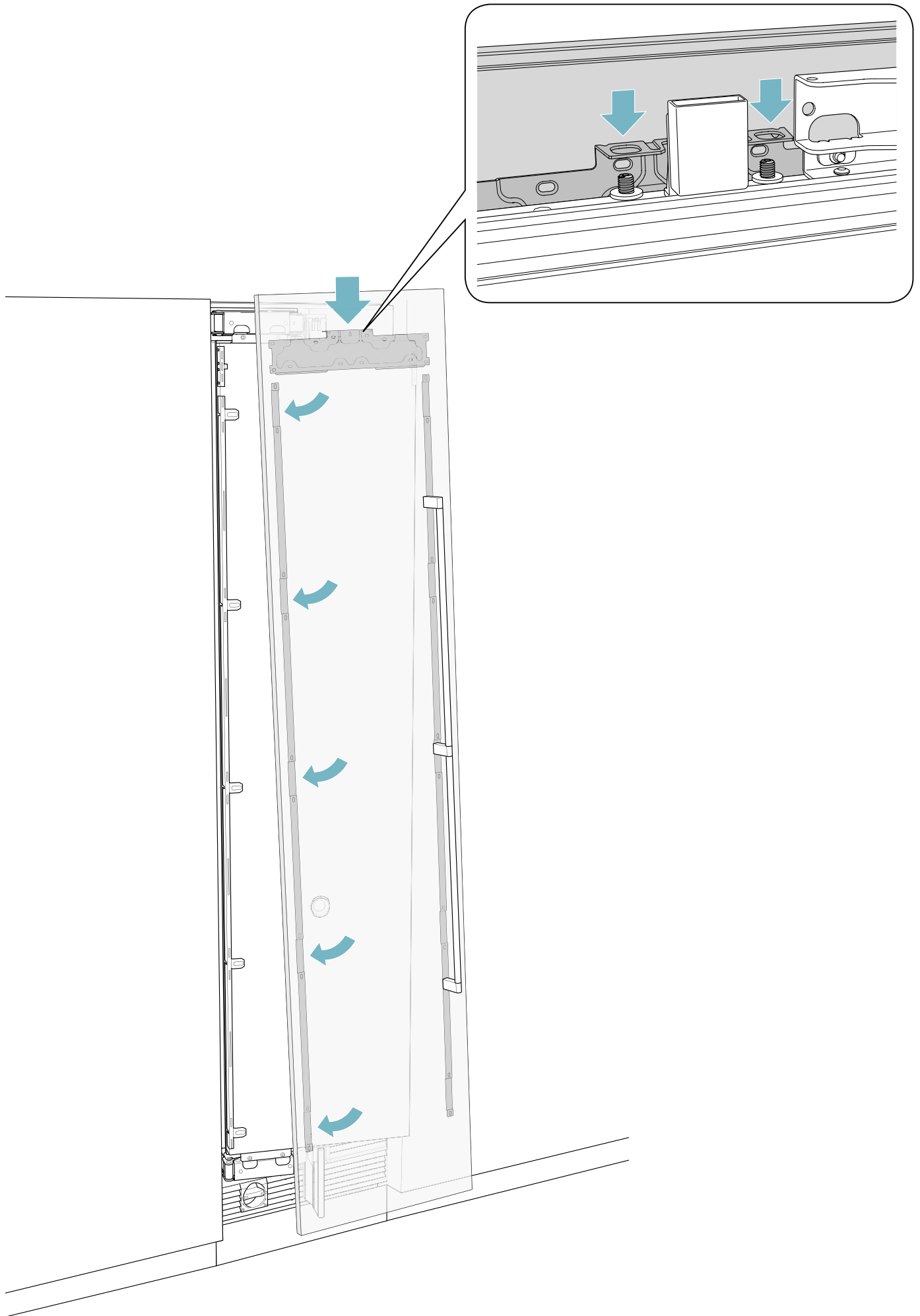
4x15   20x

- A
- B
- C
- D



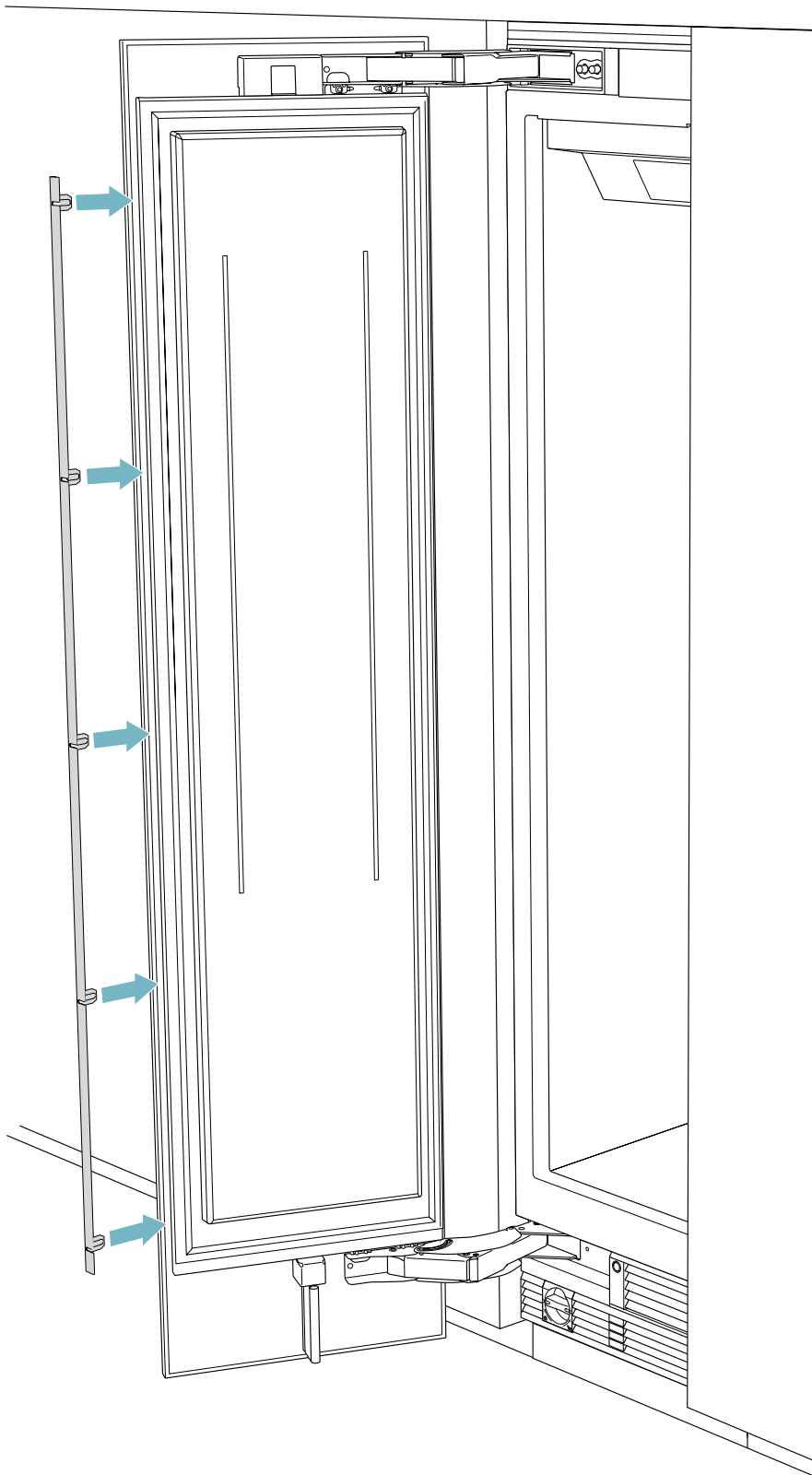
- A
- B
- C
- D

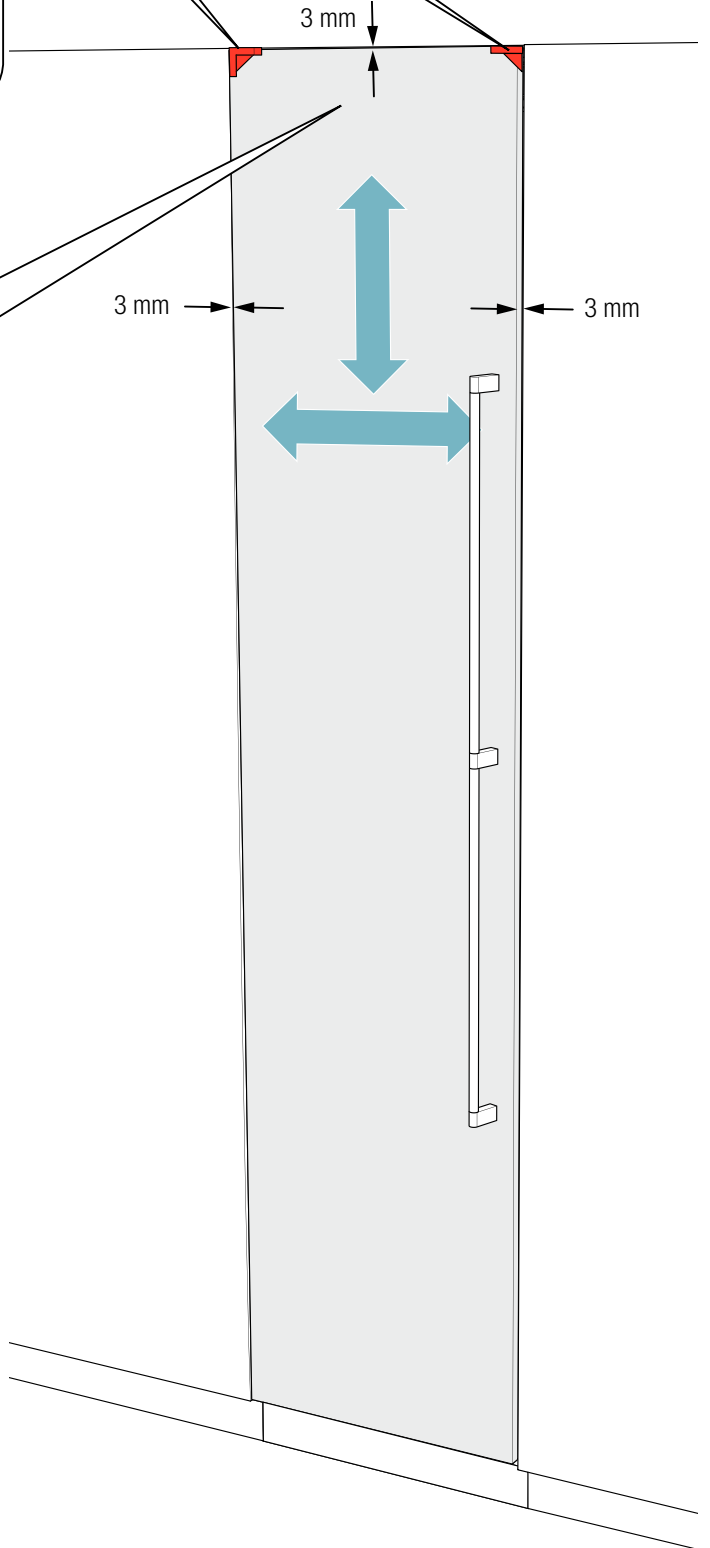
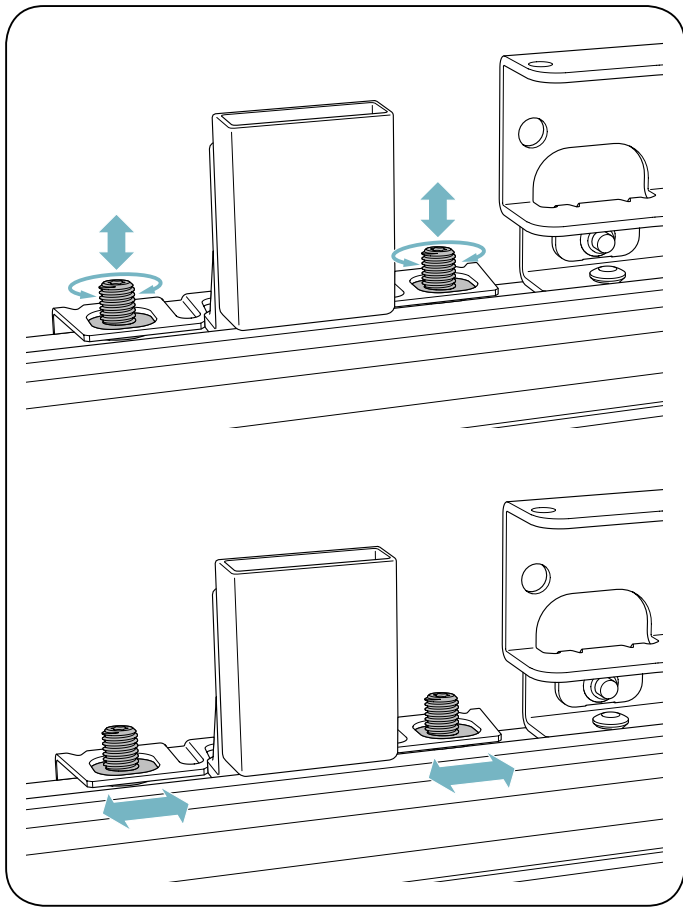
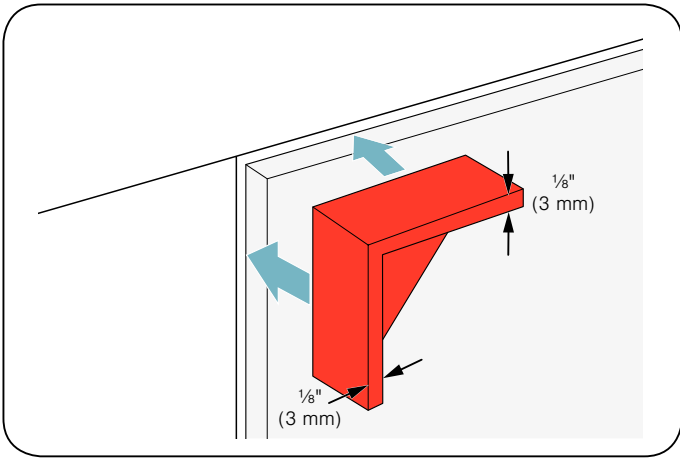




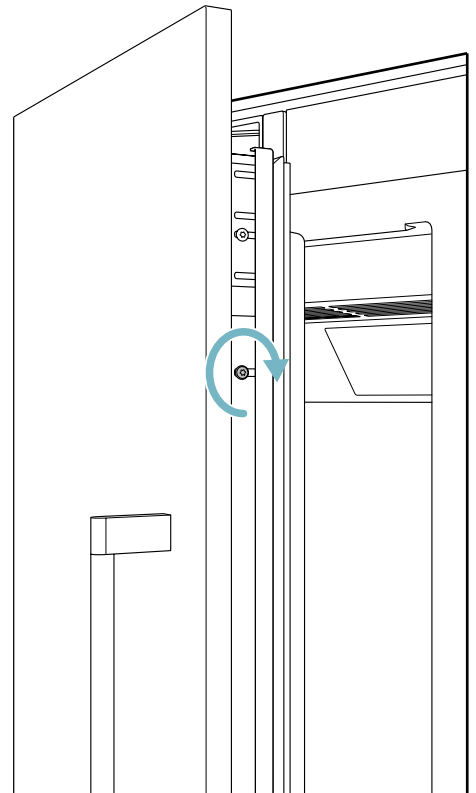
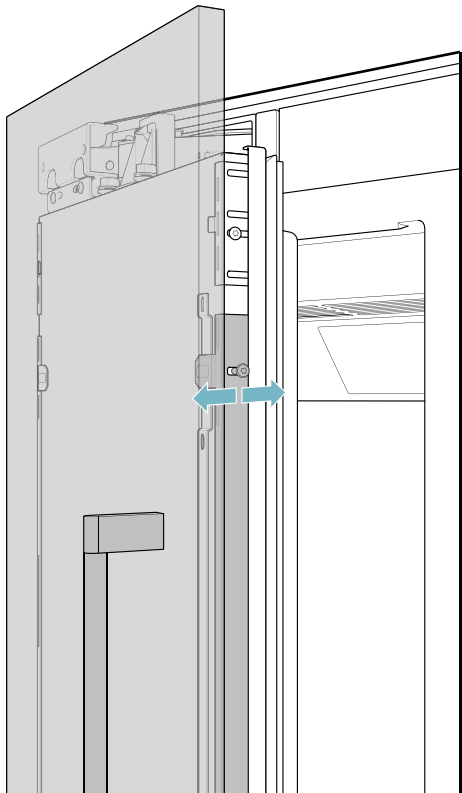
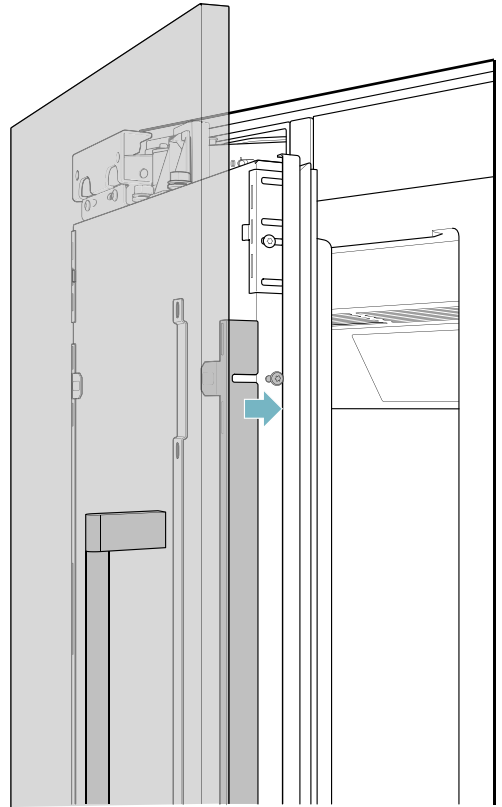
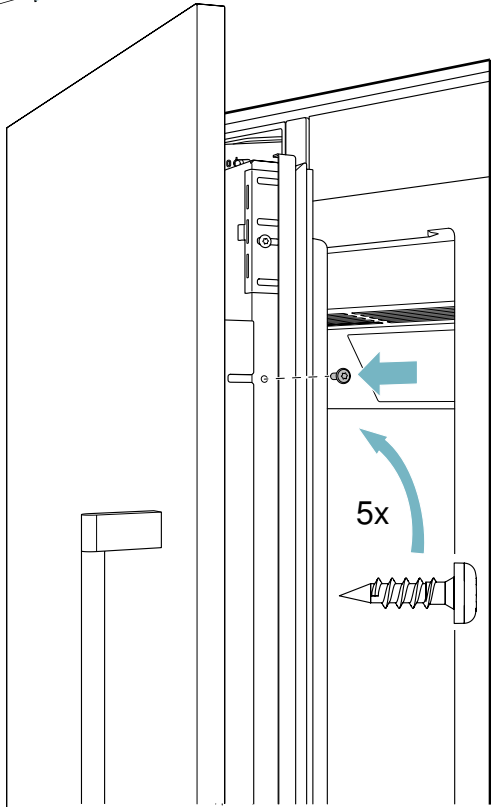
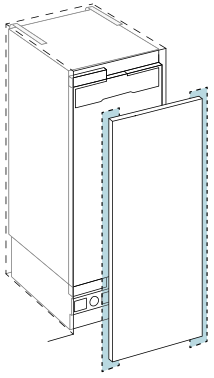
- A
- B
- C
- D

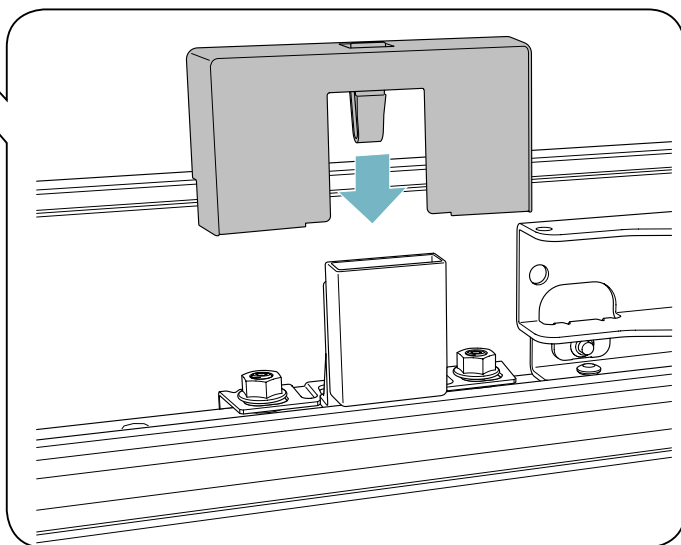
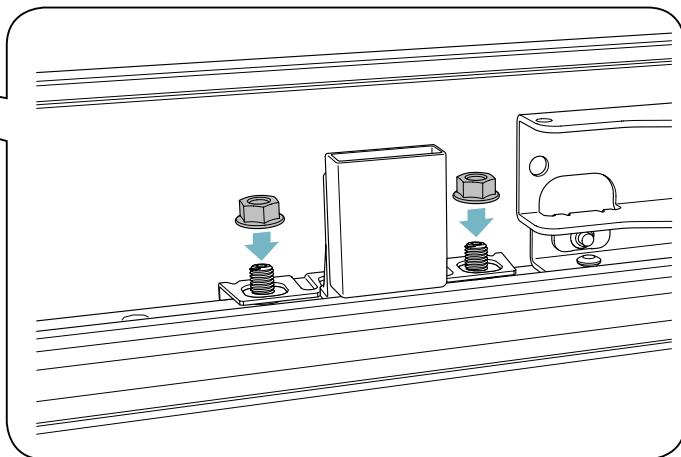
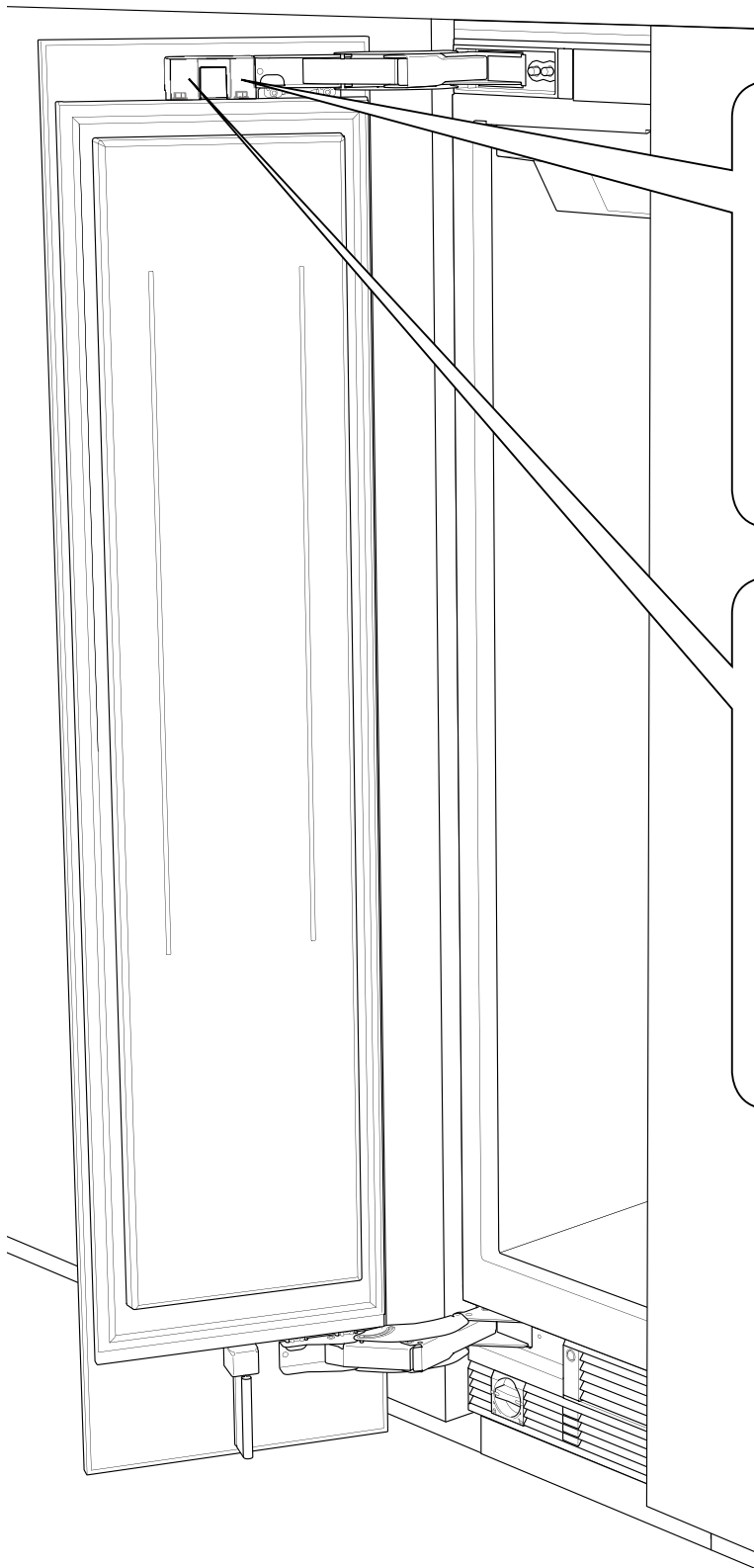
- A
- B
- C
- D



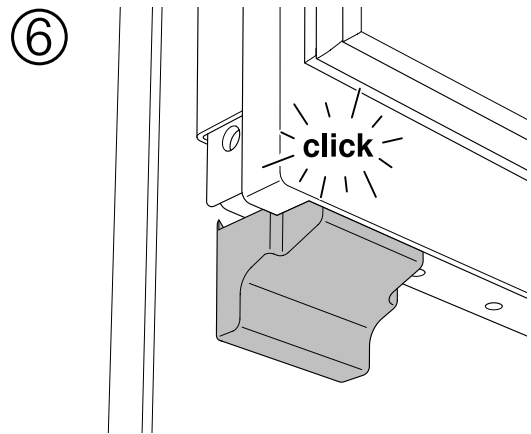
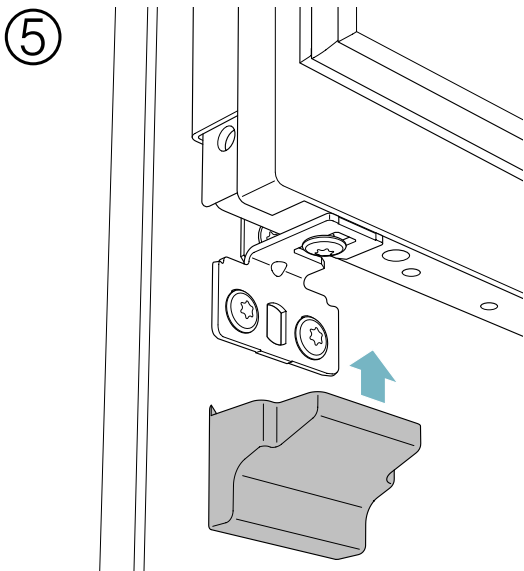
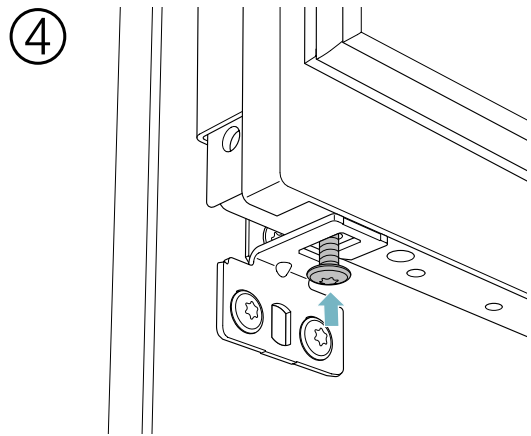
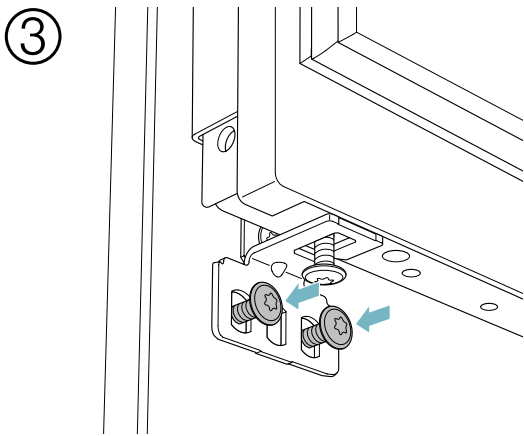
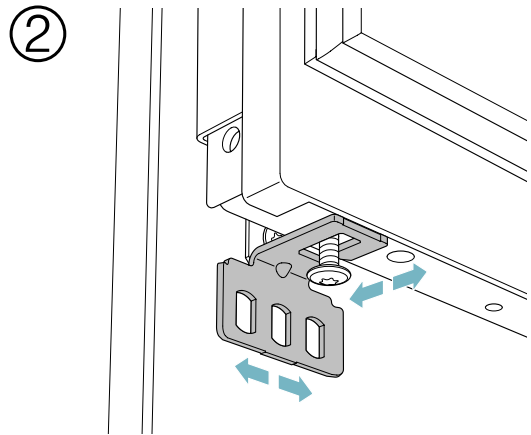
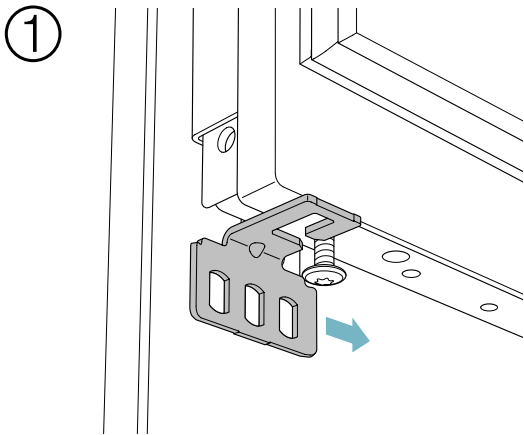
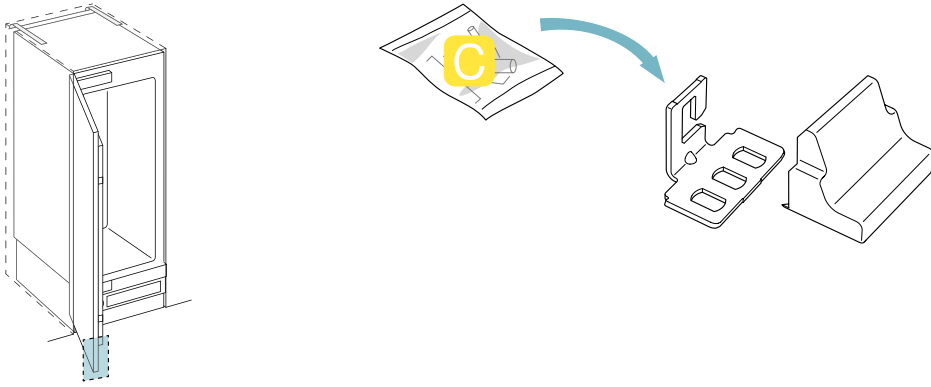


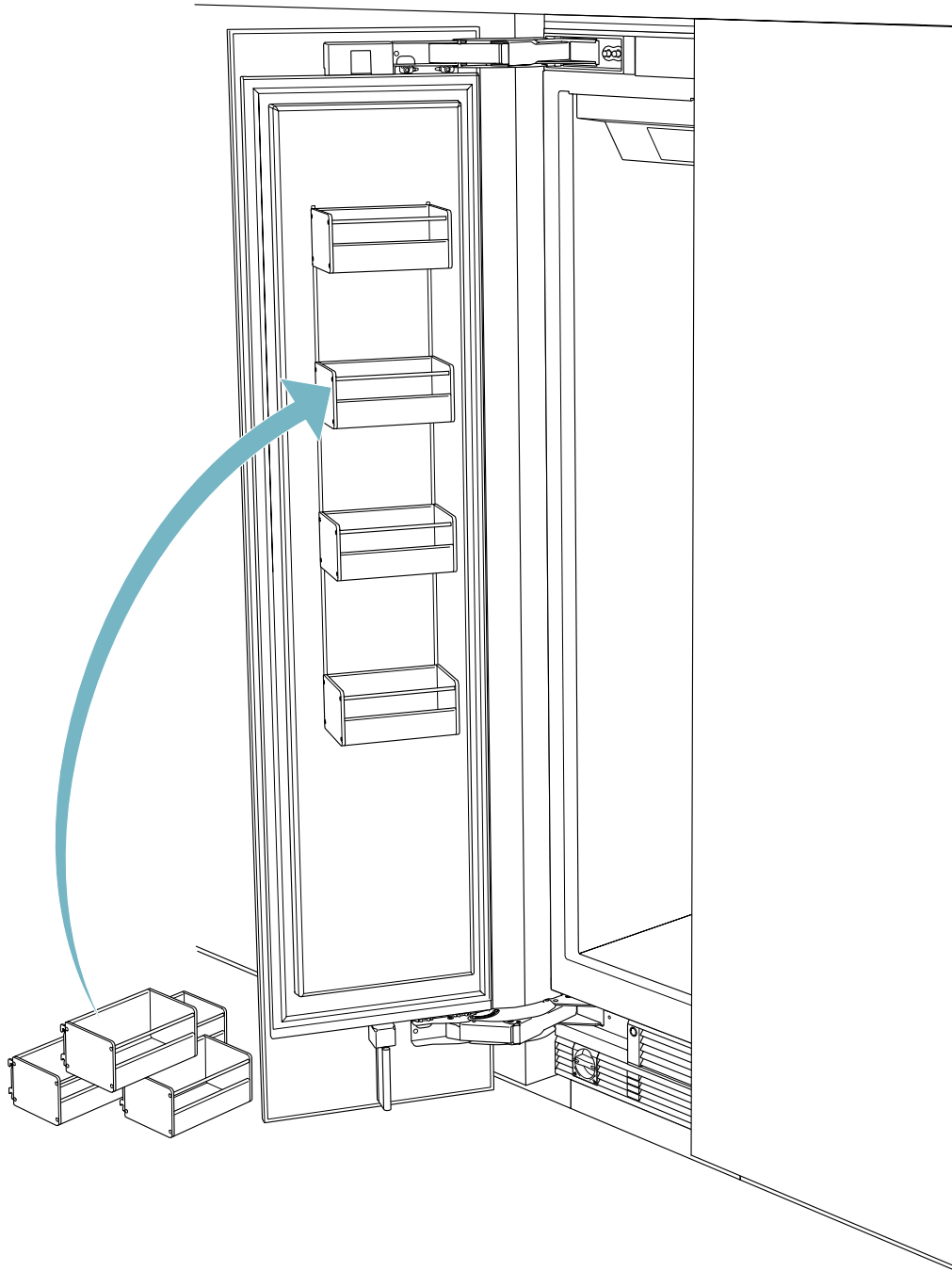
- A
- B
- C
- D



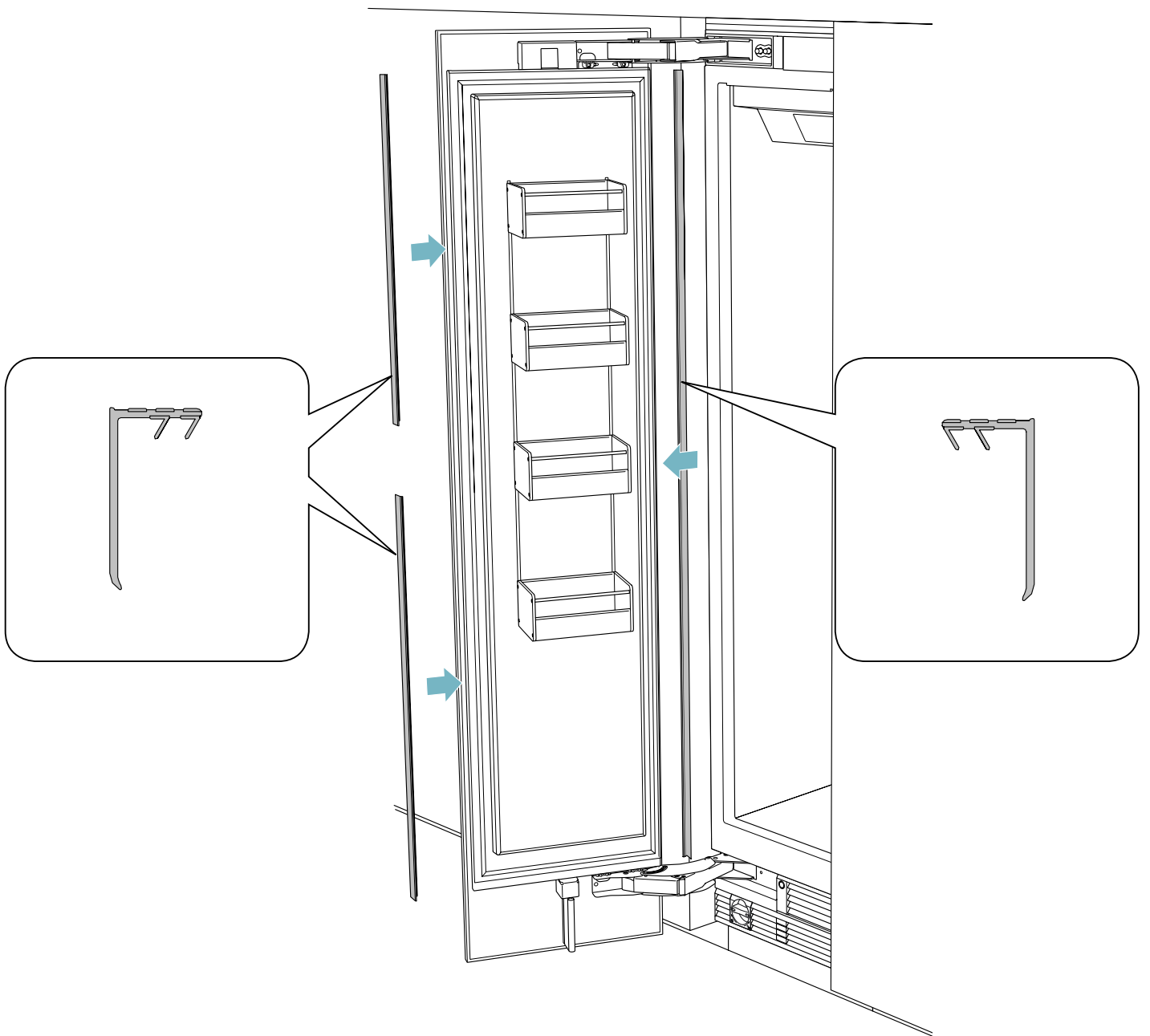
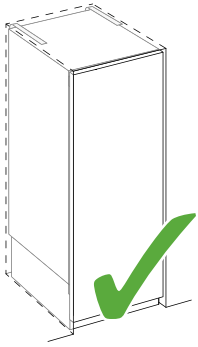


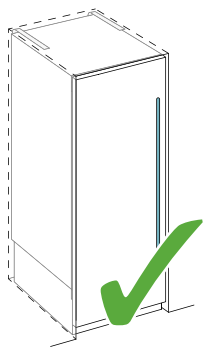
- A
- B
- C
- D



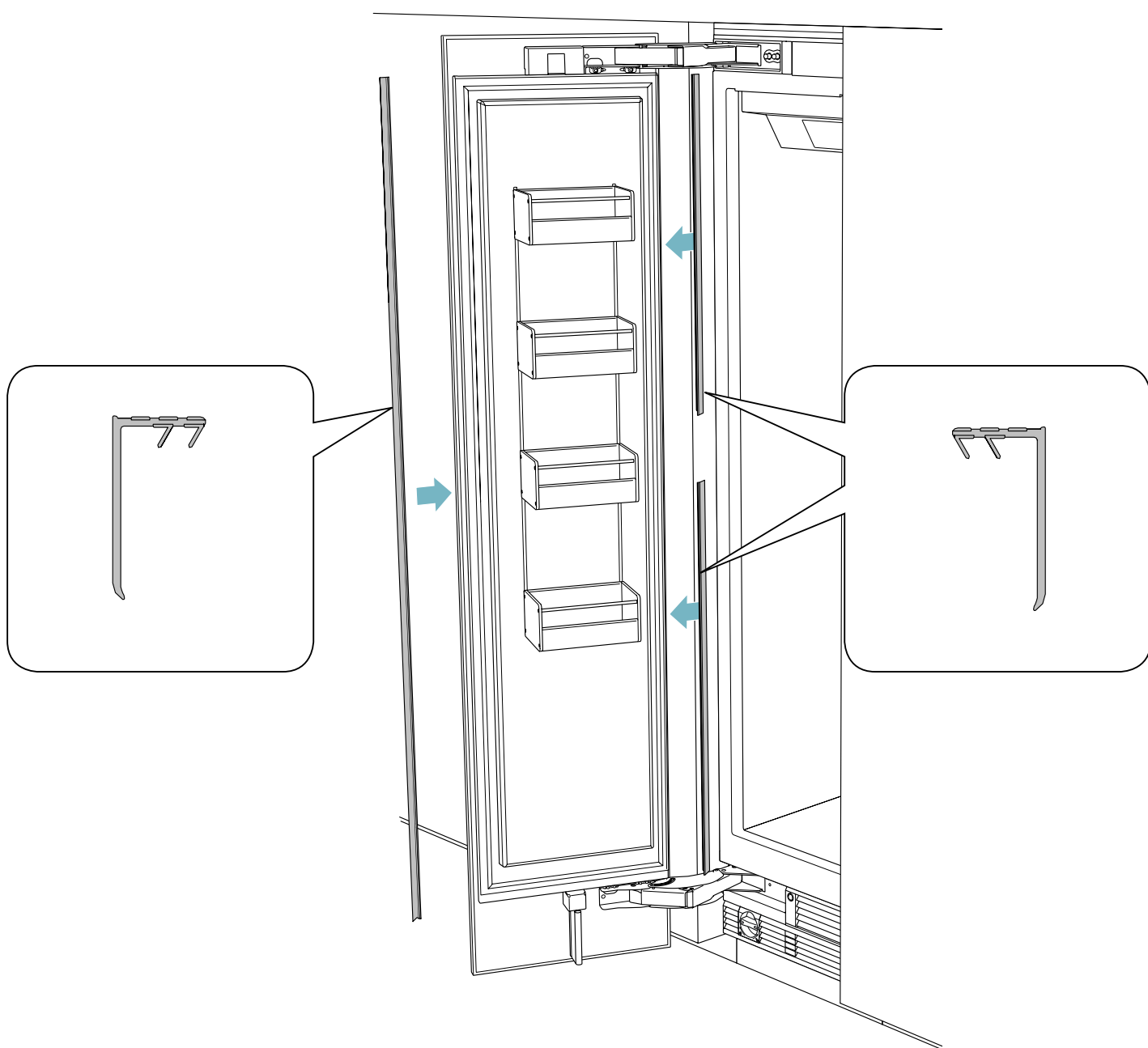


- A
- B
- C
- D

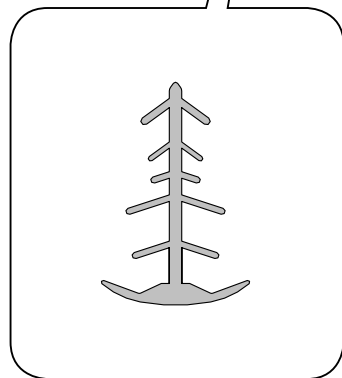
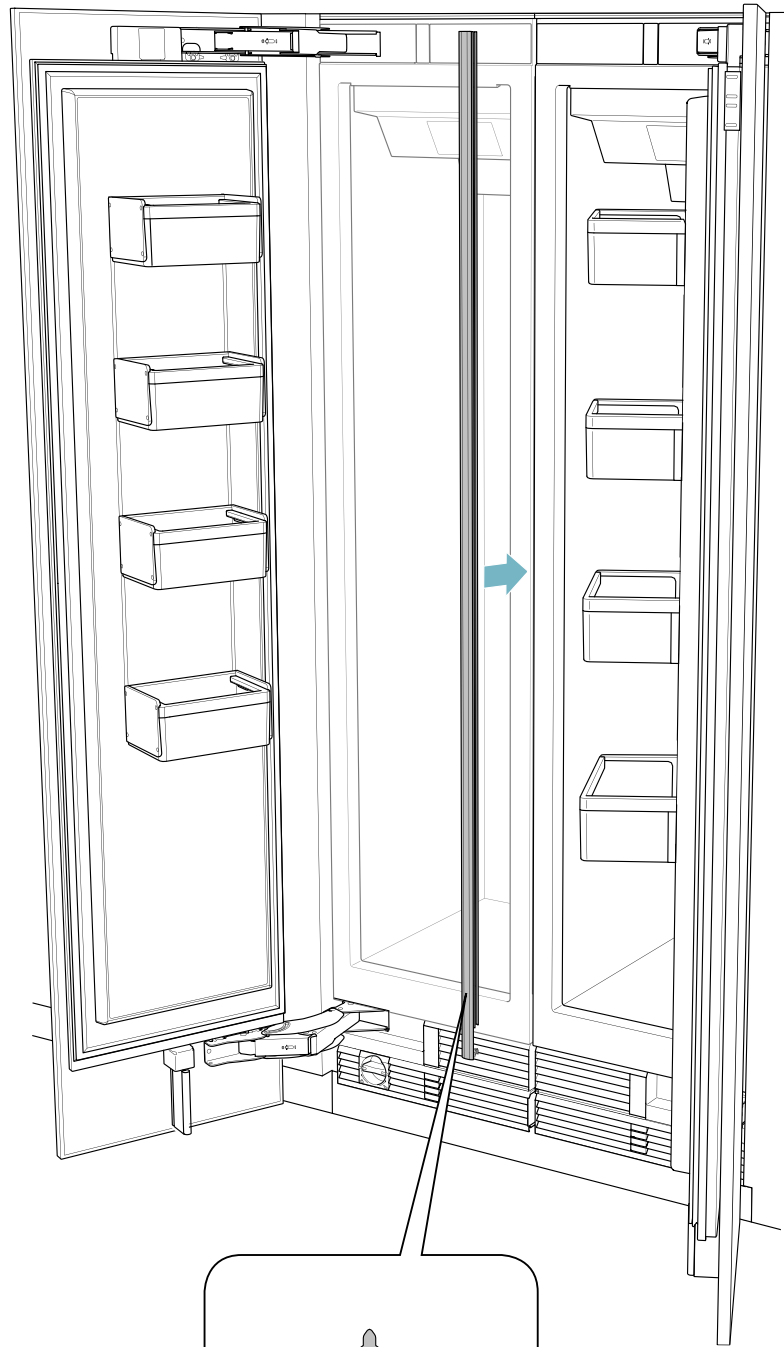


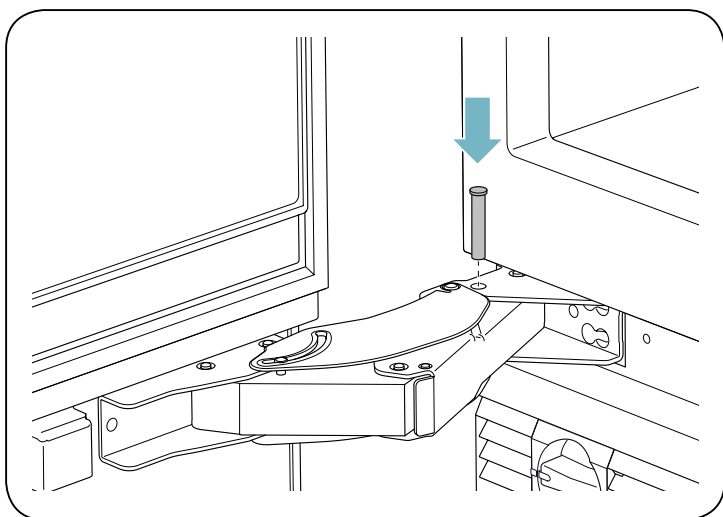
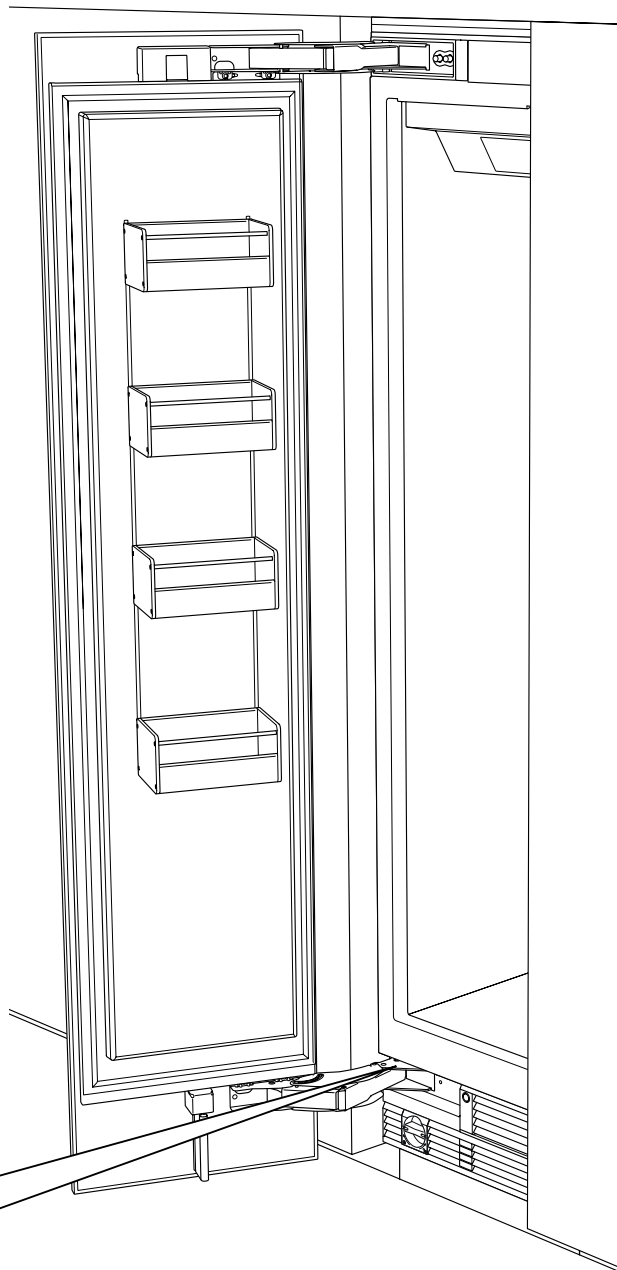
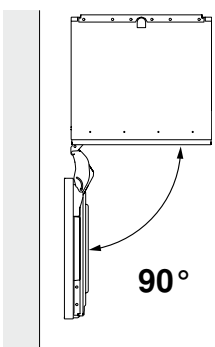
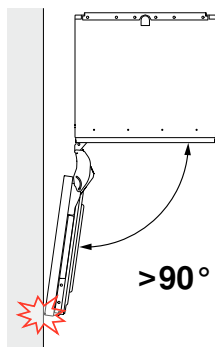
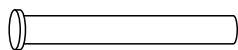


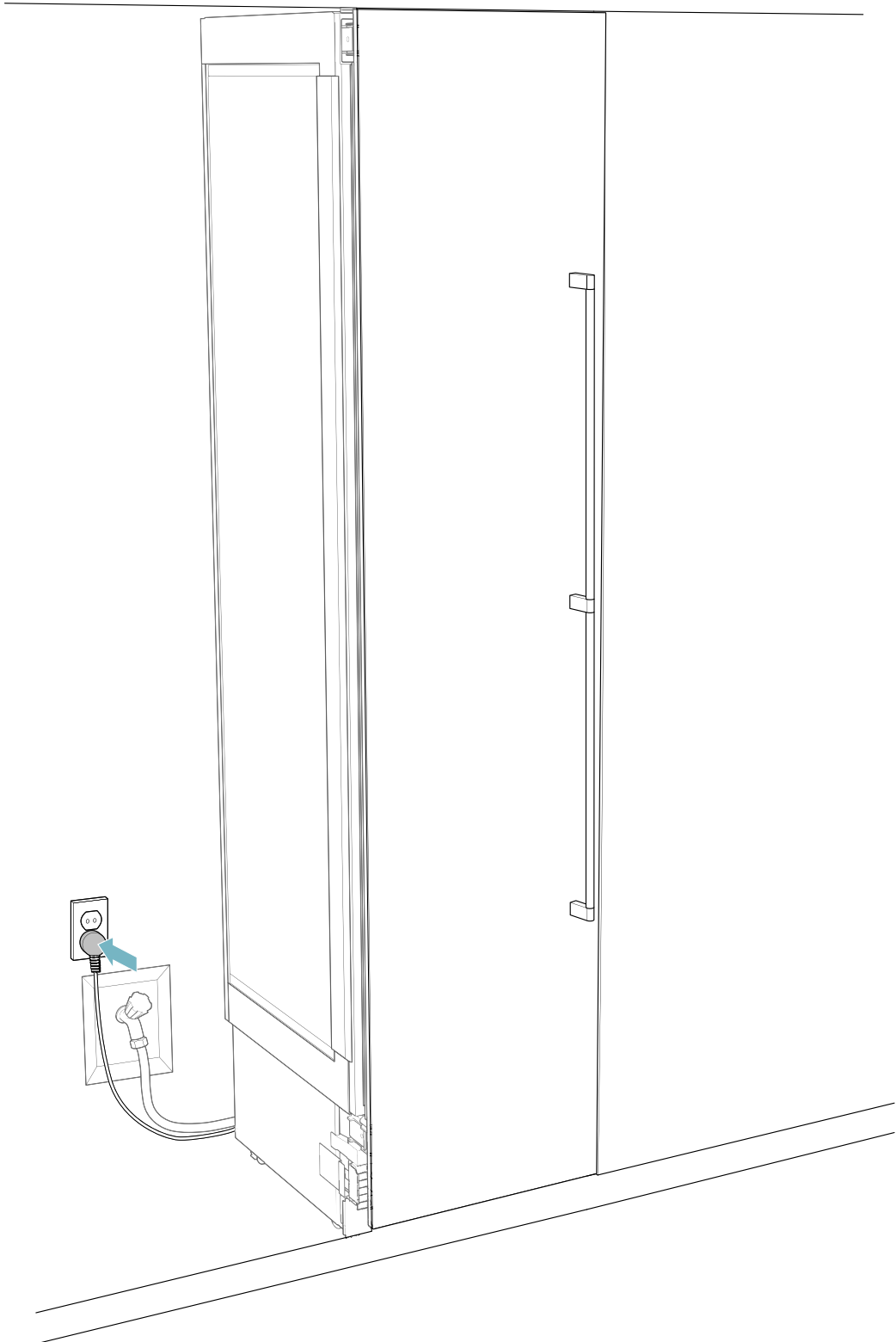
- A
- B
- C
- D



- A
- B
- C
- D







Gaggenau Hausgeräte GmbH
Carl-Wery-Straße 34
D-81739 München
www.gaggenau.com

8001170335 (9910)
xx

GAGGENAU

